



## Husqvarna DS 150

This is our most versatile and lightweight drill stand. DS 150 is an ideal choice when you need a stand for smaller jobs requiring fast setup, for example light core drilling up to 150 mm diameter. The base plate has an integrated vacuum base that is fast to set up and gentler on the surroundings. It is easy and comfortable to transport thanks to a practical handle. Suitable for drilling holes in walls, floors and ceilings.

### Drilling equipment

Drill bit diameter, max	150 mm
Drill bit length with recommended 497 mm drill motor, max	

### Specifications

Column's angling	0-60°
------------------	-------

### Dimensions

Travel length, max	495 mm
Product size length	639 mm
Product size width	266 mm
Product size height	850 mm
Weight	15.5 kg

### Articles for DS 150

Husqvarna DS 150

966 82 72-01

## Features for DS 150

---

### Angle drilling



The unit can be set for drilling at different angles.

### Straight and accurate drilling



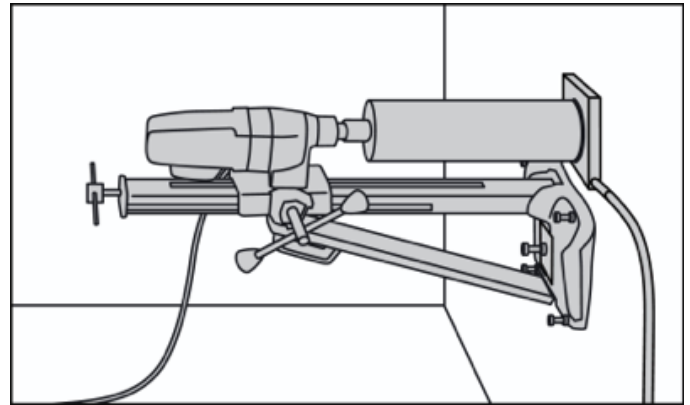
The carriage has guide rollers which helps drill straight holes.

### User-friendly base plate



Lightweight base plate made of aluminium with integrated vacuum base, means fast setup with no damages to the surroundings.

### Channels, pipes and cables



Drilling ventilation channels and holes for pipes and cables.