



Husqvarna DS 250

DS 250 is a mid-sized drill stand. This lightweight stand made of aluminium has a combined base plate to enable both anchoring and vacuum. An ideal choice for core drilling applications up to 250 mm diameter. Suitable for stitch and angle drilling for ventilation and plumbing.

Drilling equipment

Drill bit diameter, max	250 mm
Drill bit length with recommended 584/700 mm drill motor, max	

Specifications

Column's angling	0-60°
------------------	-------

Dimensions

Travel length, max	685 mm
Product size length	409 mm
Product size width	266 mm
Product size height	1045 mm
Weight	16 kg

Articles for DS 250

Husqvarna DS 250

966 82 73-01

Features for DS 250

Straight and accurate drilling



The carriage has guide rollers which helps drill straight holes.

Optimum cranking speed



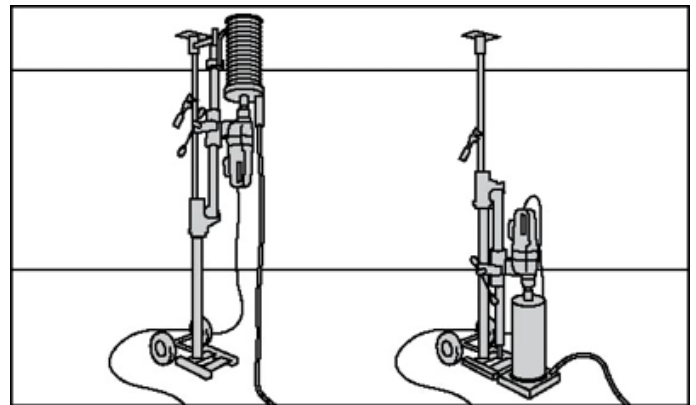
Carriage with single and double gearing for efficient drilling.

Angle drilling



The unit can be set for drilling at different angles.

Vertical drilling



Drilling upwards and downwards.