



Husqvarna®



FS 600 E, 400V/50Hz

EN	Operator's manual	2-31
DA	Brugsanvisning	32-60
DE	Bedienungsanweisung	61-91
ES	Manual de usuario	92-121
FI	Käyttöohje	122-150
FR	Manuel d'utilisation	151-181
IT	Manuale dell'operatore	182-211
NL	Gebbruiksaanwijzing	212-241
NO	Bruksanvisning	242-270
PT	Manual do utilizador	271-300
SV	Bruksanvisning	301-329

Contents

Introduction.....	2	Transportation, storage and disposal.....	25
Safety.....	6	Technical data.....	26
Operation.....	11	Accessories.....	29
Maintenance.....	21	Declaration of Conformity.....	30
Troubleshooting.....	24		

Introduction

Product description

The product is an electrical walk behind floor saw.

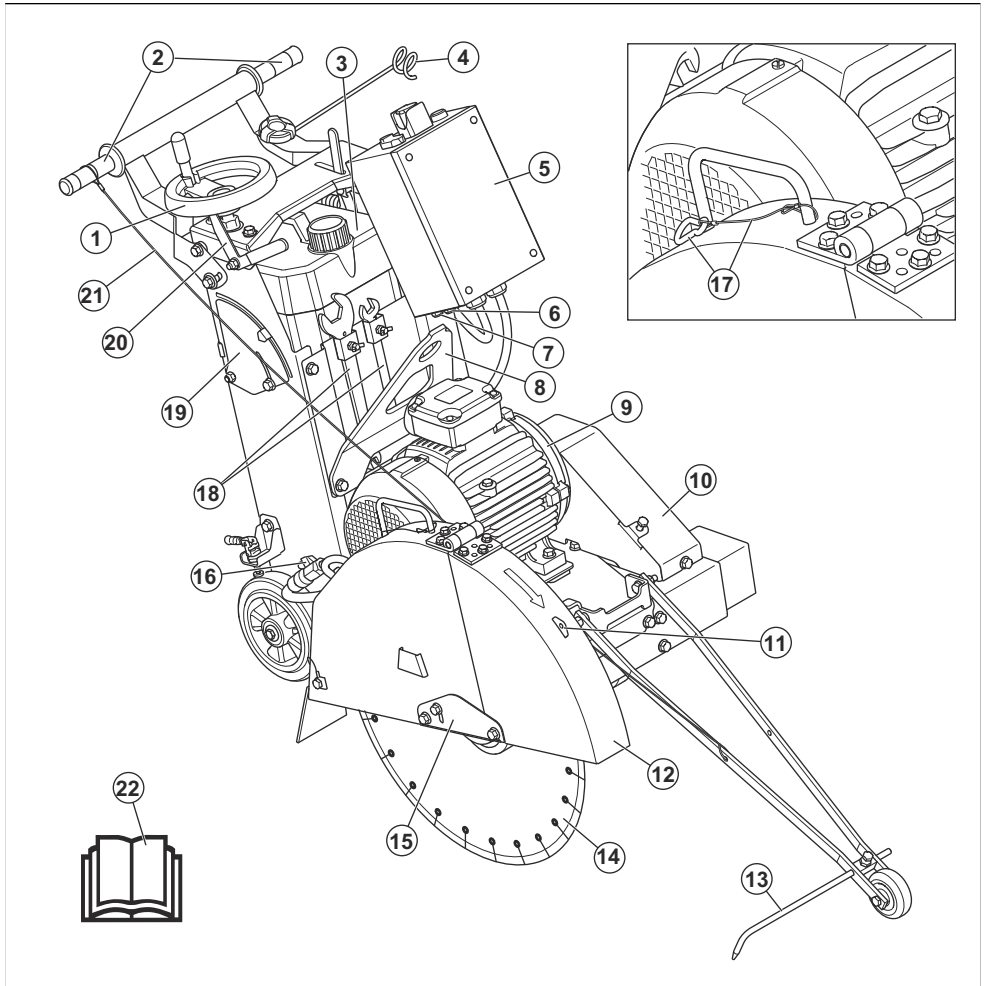
Intended use

This product is used with diamond blades for wet cutting to cut hard floor surface materials such as concrete, asphalt and stone. All other use is incorrect.

The product is used in industrial operations by operators with experience.

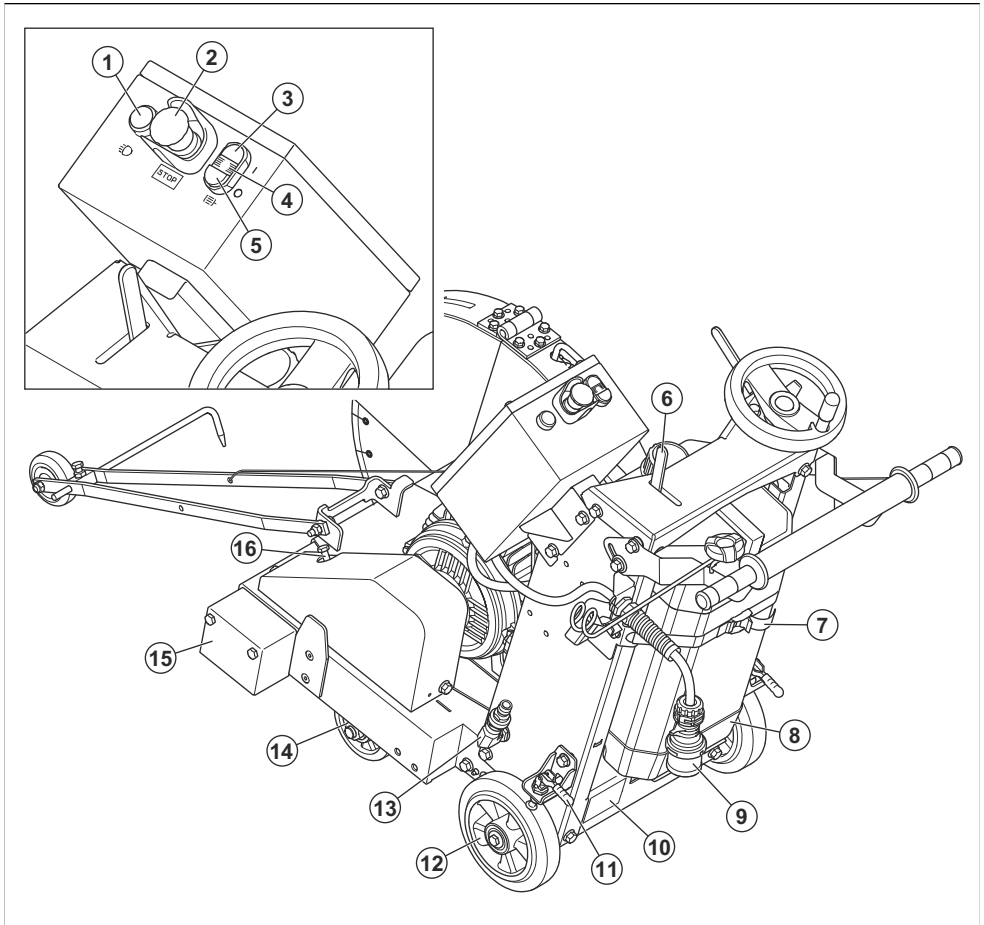
Do not use outdoors or in wet conditions, this product is for indoor use only.

Product overview, right side



- | | |
|----------------------------------|-------------------------------------|
| 1. Cutting depth wheel | 12. Blade guard |
| 2. Handle | 13. Pointer |
| 3. Water tank and lid (optional) | 14. Blade (not included) |
| 4. Cable and hose guide | 15. Blade guard latch |
| 5. Electrical enclosure | 16. Water tap |
| 6. Fuse for the working light | 17. Wire and carabiner |
| 7. Outlet for the working light | 18. Servicing tools |
| 8. Lifting eye | 19. Cutting depth indicator |
| 9. Motor | 20. Lever to lock the cutting depth |
| 10. Drive belt cover | 21. Pointer rope |
| 11. Bracket for the carabiner | 22. Operator's manual |

Product overview, left side



1. Light switch for working lights (light kit optional)
2. Machine stop button
3. ON button
4. Error indicator
5. OFF button
6. Water valve
7. Water tank strap
8. Water tank (optional)
9. Power plug
10. Rating plate
11. Parking brake
12. Rear wheel
13. Water inlet and water filter
14. Front wheel
15. Flange cover

16. Tension screw, drive belt

Symbols on the product



WARNING: This product can be dangerous and cause serious injury or death to the operator or others. Be careful and use the product correctly.



Read the operator's manual carefully and make sure that you understand the instructions before you use this product.



Risk of cut injuries. Keep all body parts away from the cutting blade.



Keep body parts away from the cutting blade and other moving parts.



Make sure that the cutting blade is not blunt or has damages, such as cracks.



The blade guards must always be installed on the product. Do not let more than 180° of the cutting blade show.



Make sure that the cutting blade is applicable to the same speed or a higher speed than the value given on the product. A cutting blade that is operated at too high speed can break and cause injury or damage.



WARNING: The dust can cause health problems. Use an approved respiratory protection. Always make sure that there is good airflow.



WARNING: Do not look into the beam. This warning is only applicable when the light kit is installed.



Use hearing protection, eye protection and respiratory protection. Refer to *Personal protective equipment on page 9*.



Risk of electrical shock: Inspection and/or maintenance must be done with the motor stopped and the plug disconnected.



All displacement of the machine outside the cutting area shall be carried out with the tool not in rotation.



Remove the blade before transportation, when you lift, put on or remove the product.



The arrow on the blade guard shows in which direction the cutting blade rotates.



Engage/disengage the parking brakes.



Fill tank only with water.



Valve for the water cooling systems for the cutting blade.



Lift/lower control for cutting depth adjustment.



Always lift the product at the lifting point.



Protective earth.



ON button.



OFF button.



Machine stop button.



Light switch for working light.



Motor ON/OFF button, error indicator.



Noise emission to the environment label as refer to EU and UK directives and regulations. The guaranteed sound power level of the product is specified in *Sound levels on page 27, Declaration of Conformity on page 30* and on the label.



Risk of electrical shock. This equipment is to be serviced by approved personnel only.



This product complies with applicable EC Directives.



This product conforms to the applicable UK regulations.



The product or package of the product is not domestic waste. Recycle it at an approved disposal location for electrical and electronic equipment.

Rating plate

1 Husqvarna®		2		3
4		Husqvarna AB, S-561 82, Huskvarna, Sweden		
ARTICLE NO.		5		Made in China
SERIAL NO. (HID)		6		
7		9	12	
		10	13	
8		11	14	
15				

1. Manufacturer
2. Manufacturer address
3. Scannable QR code
4. Type designation
5. Article number
6. Serial number
7. Product weight, kg
8. Date of manufacture, year/month
9. Voltage: 3-phase alternating current, V
10. Frequency, Hz
11. Rated current, A
12. Motor output, kW
13. Maximum blade diameter, mm
14. Maximum spindle speed, n/min
15. Additional information

Product liability

As referred to in the product liability laws, we are not liable for damages that our product causes if:

- the product is incorrectly repaired.
- the product is repaired with parts that are not from the manufacturer or not approved by the manufacturer.
- the product has an accessory that is not from the manufacturer or not approved by the manufacturer.
- the product is not repaired at an approved service center or by an approved authority.

Safety

Safety definitions

Warnings, cautions and notes are used to point out specially important parts of the manual.



WARNING: Used if there is a risk of injury or death for the operator or bystanders if the instructions in the manual are not obeyed.



CAUTION: Used if there is a risk of damage to the product, other materials or the adjacent area if the instructions in the manual are not obeyed.

Note: Used to give more information that is necessary in a given situation.

General power tool safety warnings



WARNING: Read all safety warnings, instructions, illustrations and specifications provided with this power tool. Failure to

follow all instructions listed below may result in electric shock, fire and/or serious injury.

Save all warnings and instructions for future reference.

The term "power tool" in the warnings refers to your mains-operated (corded) power tool or battery-operated (cordless) power tool.

Work area safety

- **Keep work area clean and well lit.** Cluttered or dark areas invite accidents.
- **Do not operate power tools in explosive atmospheres, such as in the presence of flammable liquids, gases or dust.** Power tools create sparks which may ignite the dust or fumes.
- **Keep children and bystanders away while operating a power tool.** Distractions can cause you to lose control.

Electrical safety

- **Power tool plugs must match the outlet. Never modify the plug in any way. Do not use any adapter plugs.** Unmodified plugs and matching outlets will reduce risk of electric shock.

- **Avoid body contact with earthed or grounded surfaces, such as pipes, radiators, ranges and refrigerators.** There is an increased risk of electric shock if your body is earthed or grounded.
- **Do not expose power tools to rain or wet conditions.** Water entering a power tool will increase the risk of electric shock.
- **Do not abuse the cord. Never use the cord for carrying, pulling or unplugging the power tool. Keep cord away from heat, oil, sharp edges or moving parts.** Damaged or entangled cords increase the risk of electric shock.
- **When operating a power tool, use an extension cord suitable for outdoor use.** Use of a cord suitable for outdoor use reduces the risk of electric shock.
- **When operating a power tool always use a residual current device (RCD) protected supply.** Use of a RCD reduces the risk of electric shock.
- **Make sure that the power outlet has the same voltage as shown on the rating plate of the product.** Refer to *Rating plate on page 6*.

Personal safety

- **Stay alert, watch what you are doing and use common sense when operating a power tool. Do not use a power tool while you are tired or under the influence of drugs, alcohol or medication.** A moment of inattention while operating power tools may result in serious personal injury.
- **Use personal protective equipment. Always wear eye protection.** Protective equipment such as dust mask, non-skid safety shoes, hard hat or hearing protection used for appropriate conditions will reduce personal injuries.
- **Prevent unintentional starting. Ensure the switch is in the off-position before connecting to power source and/or battery pack, picking up or carrying the tool.** Carrying power tools with your finger on the switch or energising power tools that have the switch on invites accidents.
- **Remove any adjusting key or wrench before turning the power tool on.** A wrench or a key left attached to a rotating part of the power tool may result in personal injury.
- **Do not overreach. Keep proper footing and balance at all times.** This enables better control of the power tool in unexpected situations.
- **Dress properly. Do not wear loose clothing or jewellery. Keep your hair and clothing away from moving parts.** Loose clothes, jewellery or long hair can be caught in moving parts.
- **If devices are provided for the connection of dust extraction and collection facilities, ensure these are connected and properly used.** Use of dust collection can reduce dust-related hazards.
- **Do not let familiarity gained from frequent use of tools allow you to become complacent and ignore tool safety principles.** A careless action can cause severe injury within a fraction of a second.

Power tool use and care

- **Do not force the power tool. Use the correct power tool for your application.** The correct power tool will do the job better and safer at the rate for which it was designed.
- **Do not use the power tool if the switch does not turn it on and off.** Any power tool that cannot be controlled with the switch is dangerous and must be repaired.
- **Disconnect the plug from the power source and/or remove the battery pack, if detachable, from the power tool before making any adjustments, changing accessories, or storing power tools.** Such preventive safety measures reduce the risk of starting the power tool accidentally.
- **Store idle power tools out of the reach of children and do not allow persons unfamiliar with the power tool or these instructions to operate the power tool.** Power tools are dangerous in the hands of untrained users.
- **Maintain power tools and accessories. Check for misalignment or binding of moving parts, breakage of parts and any other condition that may affect the power tool's operation. If damaged, have the power tool repaired before use.** Many accidents are caused by poorly maintained power tools.
- **Keep cutting tools sharp and clean.** Properly maintained cutting tools with sharp cutting edges are less likely to bind and are easier to control.
- **Use the power tool, accessories and tool bits etc. in accordance with these instructions, taking into account the working conditions and the work to be performed.** Use of the power tool for operations different from those intended could result in a hazardous situation.
- **Keep handles and grasping surfaces dry, clean and free from oil and grease.** Slippery handles and grasping surfaces do not allow for safe handling and control of the tool in unexpected situations.

Service

- **Have your power tool serviced by a qualified repair person using only identical replacement parts.** This will ensure that the safety of the power tool is maintained.

General safety instructions



WARNING: Read the warning instructions that follow before you use the product.

- This product is a dangerous tool if you are not careful or if you use the product incorrectly. This product can cause serious injury or death to the operator or others. Before you use the product, you must read and understand the contents of this operator's manual.
- Save all warnings and instructions.

- Comply with all applicable laws and regulations.
- The operator and the employer of the operator must know and prevent the risks during operation of the product.
- Do not let a person operate the product unless they read and understand the contents of the operator's manual.
- Do not operate the product unless you receive training before use. Make sure that all operators receive training.
- Do not let a child operate the product.
- Only let approved persons operate the product.
- The operator is responsible for accidents that occur to other persons or their property.
- Do not use the product if you are tired, ill, or under the influence of alcohol, drugs or medicine.
- Always be careful and use your common sense.
- This product produces an electromagnetic field during operation. This field can under some circumstances interfere with active or passive medical implants. To decrease the risk of serious injury or death, we recommend persons with medical implants to speak to their physician and the medical implant manufacturer before operating this product.
- Keep the product clean. Make sure that you can clearly read signs and decals.
- Do not use the product if it is defective.
- Do not do modifications to this product.
- Do not operate the product if it is possible that other persons have done modifications to the product.
- Make sure that electrical cables in the work area are not live.
- Before you operate the product, find out if there are hidden wires, cables and pipes in the work area. If the product hits a hidden object, stop the motor immediately and examine the product and the object. Do not start to operate the product again until you know that it is safe to continue.
- Make sure that you are in a safe and stable position during operation.
- The product can cause objects to eject at high speed. Make sure that all persons in the work area use approved personal protective equipment. Remove loose objects from the work area.
- Before you go away from the product, stop the motor and make sure that there is no risk of accidental start.
- Do not go away from the product without the parking brakes engaged.
- Be very careful during operation on slopes. The product is heavy and can cause serious injury if it falls or moves too quickly.
- Make sure that no material can become loose and cause injury to the operator.
- Make sure that clothing, long hair and jewelry do not get caught in moving parts.
- Do not operate the product unless you can get aid if an accident occurs.
- Move the water tank away to a safe distance from the product when you fill water tank.

Safety instructions for operation



WARNING: Read the warning instructions that follow before you use the product.

- Read the warning instructions that are supplied with the cutting blade by the cutting blade manufacturer.
- Only connect the product to a power supply, which is protected by an applicable fuse or circuit breaker, maximum 30 A.
- Make sure that the product is assembled correctly.
- Do not operate the product without the blade guard and the protective covers correctly installed and attached.
- Do not operate the product with the blade guard front lifted. The blade guard front must be lowered and correctly latched and attached.
- Incorrect operation of the product can cause the cutting blade to break and cause injury or damage.
- Make sure that you know how to stop the motor quickly in an emergency.
- Use personal protective equipment. Refer to *Personal protective equipment on page 9*.
- Make sure that only approved persons are in the work area.



WARNING: Incorrect connection can result in electrical shock. Speak to an approved electrician if you are not sure if your mains outlet is correctly grounded.

Do not do modifications to the power plug from its factory specification. If the power plug or power cord is damaged or must be replaced, speak to your Husqvarna service agent. Obey local regulations and laws.

If you do not fully understand the instructions about the grounded product, speak to an approved electrician.

Use only grounded outdoor extension cords with grounding plugs and grounding outlet that accepts the product power plug.

The product has a grounded power cord and power plug. Always connect the product to a grounded mains outlet. This decreases the risk of electrical shock if there is a malfunction.

Do not use electrical adapters with the product.

Personal protective equipment



WARNING: Read the warning instructions that follow before you use the product.

- Always use approved personal protective equipment when you operate the product. Personal protective equipment cannot fully prevent injury but it decreases the degree of injury if an accident does occur. Let your dealer help you select the correct personal protective equipment.
- Regularly do a check of the condition of the personal protective equipment.
- Use an approved protective helmet.
- Use approved hearing protection.
- Use approved respiratory protection.
- Use approved eye protection with side protection. There is a high risk of eye injury from thrown objects.
- Use protective gloves.
- Use boots with steel toe-cap and non-slip sole.
- Use approved work clothing or equivalent close-fitting clothing that has long sleeves and long legs.

Fire extinguisher

- Keep a fire extinguisher near during operation.
- Use a powder fire extinguisher or a carbon dioxide fire extinguisher.

Safety devices on the product

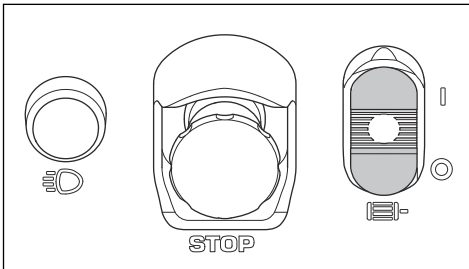


WARNING: Read the warning instructions that follow before you use the product.

- Do not use a product with defective safety devices.
- Do a check of the safety devices regularly. If the safety devices are defective, speak to your Husqvarna service agent.

ON button and OFF button

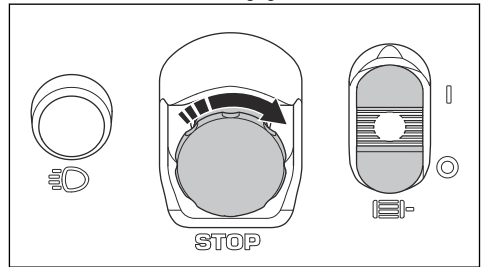
The ON button (I) and OFF button (0) is used to start and stop the motor.



To do a check of the ON button and OFF button

Note: If the product does not start, refer to *The product does not start on page 24*.

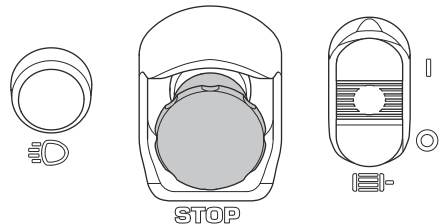
1. Disconnect the product from the mains outlet.
2. Make sure that the cutting blade is slightly above the ground.
3. Make sure that the cutting blade and the blade flange are tightly attached and the blade guard is correctly installed. Refer to *To install a cutting blade on page 12* and *To install the blade guard on page 14*.
4. Connect the product with an extension cord to the mains outlet.
5. Turn the machine stop button (STOP) clockwise to make sure that it is disengaged.



6. Push the ON/OFF button to "I" to start the product.
7. Wait for 5 seconds to let the product operate at the correct speed.
8. Push the ON/OFF button to "0" and make sure that the motor stops.

Machine stop button

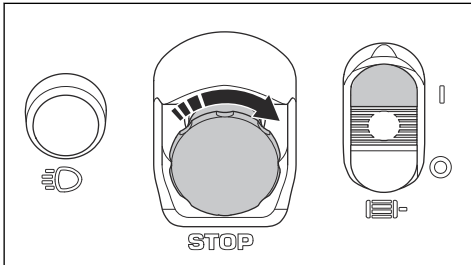
The machine stop button (STOP) stops the motor. The machine stop button does not stop the lights.



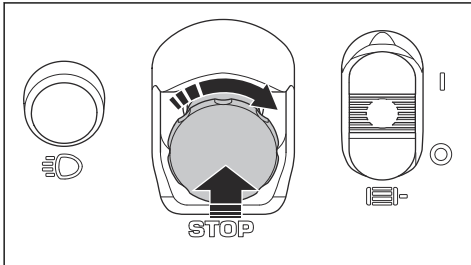
Note: Do not use the machine stop button to stop the product unless there is an emergency. For correct procedure how to stop the product during operation, refer to *To stop the product on page 19*.

To do a check of the machine stop button

1. Disconnect the product from the mains outlet.
2. Make sure that the cutting blade is slightly above the ground.
3. Make sure that the cutting blade and the blade flange are tightly attached and the blade guard is correctly installed. Refer to *To install a cutting blade on page 12* and *To install the blade guard on page 14*.
4. Connect the power plug of the product into the mains outlet.
5. Turn the machine stop button (STOP) clockwise to make sure that it is disengaged.



6. Push the ON/OFF button to "I" to start the product.
7. Push the machine stop button and make sure that the motor stops.



8. Turn the machine stop button clockwise to disengage.

Blade guard



WARNING: Do not use the product without a blade guard or with a defective blade guard. Make sure that the blade guard is installed and attached correctly before you start the product.

The blade guard prevents parts, of the blade or the material that is cut, to be thrown at the operator.

To do a check of the blade guard

- Make sure that the blade guard is correctly installed and attached. Refer to *To install the blade guard on page 14*.

- Examine the blade guard for damages, such as cracks.
- Replace a damaged blade guard.
- Replace the blade guard if it is hit, bent or has other defects.

Drive belt cover

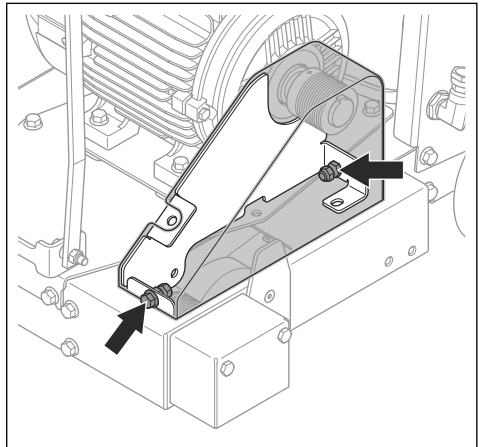


WARNING: Do not use the product without a drive belt cover or with a defective drive belt cover. Make sure that the drive belt cover is installed and attached correctly before you start the product.

The drive belt cover gives protection from the pulleys and the drive belt.

To do a check of the drive belt cover

- Make sure that the drive belt cover is not damaged or has cracks. Replace the drive belt cover if it is necessary.
- Make sure that the 2 screws of the drive belt cover are installed and correctly tightened.



Safety instructions for maintenance

- Keep all parts in good condition and make sure that all fixtures are correctly tightened.
- Do not use a product that is defective. Do the safety checks, maintenance and the servicing as given in this manual. All other maintenance work must be done by an approved service agent.
- Stop the motor and disconnect the power plug when you replace the diamond tools.
- Do the inspection and/or maintenance with the motor stopped and the power plug disconnected.
- Do the maintenance to make sure that the product operates correctly. Refer to *Maintenance schedule on page 22*.

Operation

Introduction



WARNING: Read and understand the safety chapter before you use the product.

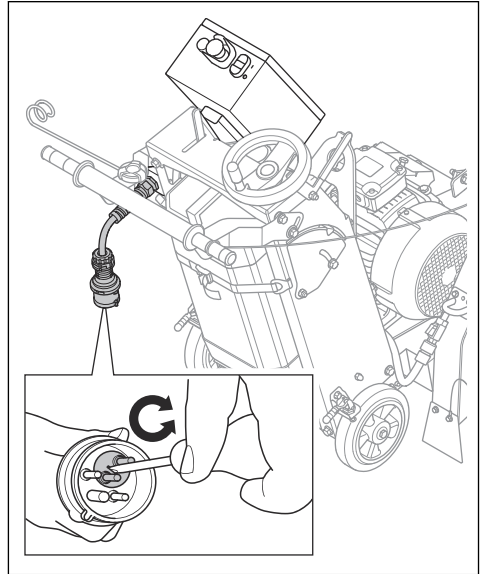
To do before you operate the product



CAUTION: Do not use an extension cord longer than maximum 25 m and less than minimum 2.5 mm².

- Read the operator's manual carefully and make sure that you understand the instructions.
- Read the instructions that are supplied with the cutting blade by the cutting blade manufacturer.
- Before each operation of the product, do these steps:
 - a) Do the daily maintenance. Refer to *Maintenance schedule on page 22*.
 - b) Make line marks for all cuts. Prepare the operation sequence carefully to prevent injury and damage.
 - c) Make sure that the cutting blade and the blade guard is correctly installed. Refer to *To install a cutting blade on page 12* and *To install the blade guard on page 14*.
 - d) Adjust the handle to an applicable operation position. Refer to *To adjust the handle height on page 12*.
 - e) Fill the water tank or connect the external water supply. Refer to *To fill the water tank on page 17* and *To connect the external water supply on page 18*.
 - f) Make sure that the water tube in the blade guard is open. Each side of the cutting blade must have sufficient supply of water.
 - g) Make sure that the pointer is aligned with the cutting blade. Refer to *To align the pointer with the cutting blade on page 16*.
 - h) Connect the power plug of the product into a extension cord and then into the mains outlet.

- i) In some conditions you must reverse phases. Refer to *Error indicator on page 25*.



- j) Turn the machine stop button clockwise to make sure that the button is disengaged.

Cutting blades



WARNING: Do not use a cutting blade for other materials than which it is made for.



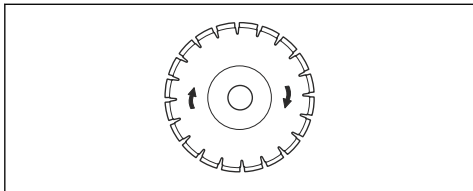
WARNING: Only use diamond blades for wet cutting. The diamond blade must be applicable to the same speed or a higher speed than the value given on the product type plate. Only use diamond blades that are in compliance with national or regional standards, for example EN13236 or ANSI B7.1.

The cutting blade manufacturer gives warnings and recommendations for the operation and correct maintenance of the cutting blade. Those warnings are supplied with the cutting blade.

Diamond blades



WARNING: Make sure that the direction of rotation for the diamond blade shown on the diamond blade aligns with the direction of rotation shown on the product.



CAUTION: Always use a sharp diamond blade.

There is a wide range of diamond blades that is used for different operations. From new made concrete to concrete and asphalt that has become hard and for different hardness classes.

Diamond blades have a steel core with segments that are made of industrial diamonds.

Water cooling system

Always use water during operation to keep the temperature of the diamond blades down. The water cooling system also increases the lifetime of the diamond blades and prevents dust buildup.

Make sure that the water supply is not clogged.

Diamond blades for wet cutting



WARNING: Always use a blade flange dimension that is specified for the current blade dimension. Do not use blade flanges that are damaged.

During the operation, the friction causes the diamond blade to become very hot. If the diamond blade becomes too hot, it will decrease the blade tension or make the core crack.

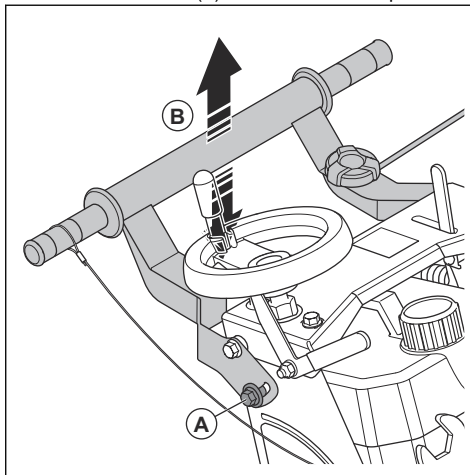
Let the diamond blade become cool before you touch it.

- Diamond blades for wet cutting must be used with water to keep the diamond blade core and segments cool during cutting. Diamond blades for wet cutting can not be used dry.
- If you use diamond blades for wet cutting without water, the diamond blade can become too hot. This gives bad performance, blade damage and is a safety risk.

To adjust the handle height

The height of the handle can be adjusted to the correct height.

1. Loosen the screws (A) on each side of the product.



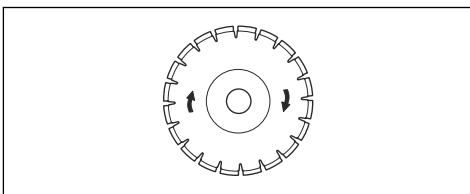
2. Set the position for the necessary work height (B).
3. Tighten the screws (A).

To install a cutting blade

The cutting blade can be installed on the right side and the left side of the product.



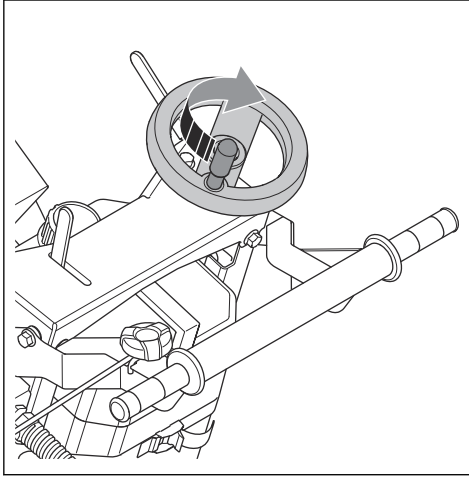
CAUTION: Risk of damage to the cutting blade if it is installed opposite to the direction of rotation. Make sure that the cutting blade rotates in the direction of the arrows shown on the cutting blade.



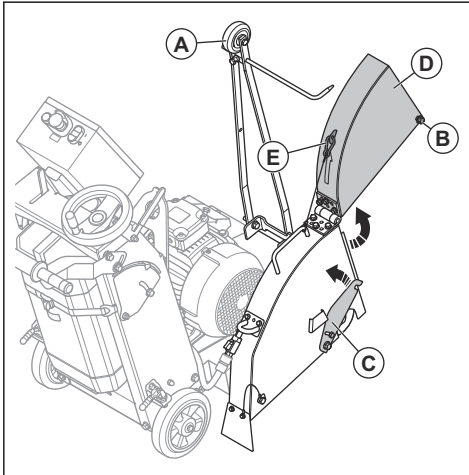
Note: The lever for the cutting depth wheel must always be locked when the cutting depth wheel is not in use.

1. Stop the motor and disconnect the product from the mains socket.

- Turn the cutting depth wheel clockwise to fully lift the cutting blade. Push the lever to lock the cutting depth wheel.

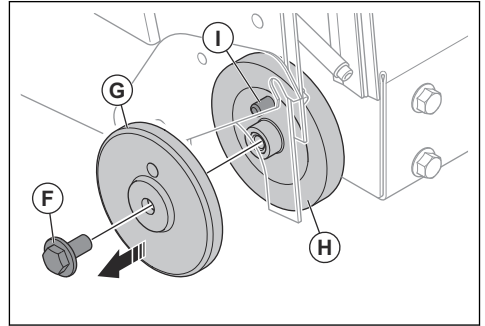


- The blade guard must be installed on the same side of the product as the cutting blade. If the blade guard is not installed on the correct side, refer to *To install the blade guard on page 14*.
- Lift the pointer (A) to an upright position.



- Loosen the front bolt (B) on the blade guard and lift the blade guard latch.
- Lift the blade guard front (D).
- Lock the blade guard in the upright position with the wire and the carabiner (E).

- Remove the blade screw (F) with the supplied wrench and counter wrench.



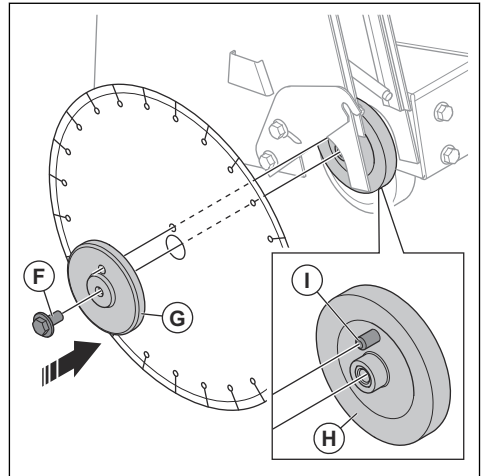
Note: The blade screw on the right side of the product has a left hand thread. The blade screw on the left side of the product has a right hand thread.

- Remove the blade flange (G).



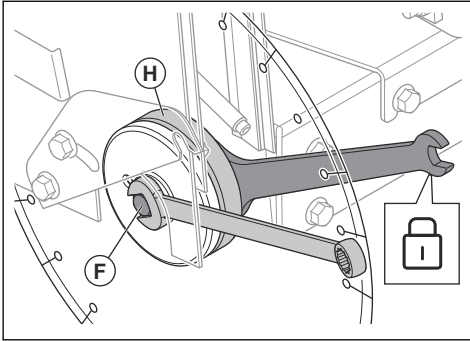
WARNING: Damaged or dirty parts can prevent correct installation of the cutting blade. Examine the blade screw (F), the blade flange (G), the inner flange (H) and the locking pin (I) for damages. Replace worn or damaged parts. Clean the contact surfaces of the cutting blade and the flanges. Clean the threads on the blade screw and the inner flange.

- Install the cutting blade on the inner flange (H).

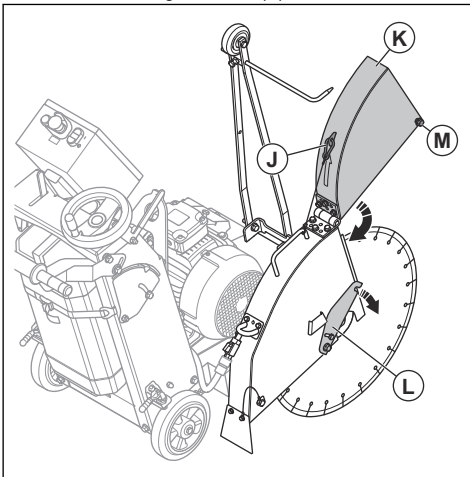


- Install the blade flange (G) and the blade screw (F). Make sure that the locking pin (I) on the inner flange, goes through the cutting blade and into the blade flange (G).

12. Hold and push the cutting blade in reverse direction of rotation. At the same time tighten the blade screw (F) with the supplied wrench.
13. Lock the inner flange (H) with the supplied wrench and tighten the blade screw (F) with the other supplied wrench.



14. Torque the blade screw (F) to 100 Nm/74 ft lbs.
15. Unlock the blade guard from the carabiner (J) and lower the blade guard front (K).



16. Put the blade guard latch (L) on the front bolt of the blade guard. Tighten the front bolt (M) of the blade guard.



CAUTION: Do not operate the product without the blade guard front lowered and the blade guard latch engaged. Do not use the product if the parts are damaged

17. Make sure that the blade screw on the opposite side of the product is tightened.
18. Start the product. Refer to *To start the product on page 18*.

19. Listen for unusual sounds. If there are unusual sounds, remove the cutting blade.
 - a) Examine the cutting blade for damages.
 - b) Install the cutting blade again. Replace the cutting blade if it is damaged.

To remove the cutting blade



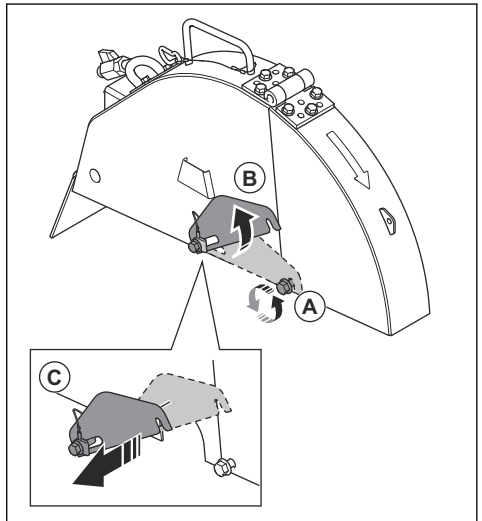
WARNING: When you remove diamond blades, let the product become cool and use protective gloves. Diamond blades are very hot after use.

- Remove the cutting blade in the opposite sequence of how it was installed. Refer to *To install a cutting blade on page 12*.

To install the blade guard

The blade guard must be installed on the same side of the product as the cutting blade. If it is necessary, move the blade guard latch to correct side of the blade guard.

1. If the blade guard latch is not installed on the correct side of the blade guard, do the procedure that follows.
 - a) Loosen the 2 screw for the flange cover and remove the flange cover.
 - b) Loosen the front bolt (A) on the blade guard and lift the blade guard latch (B).



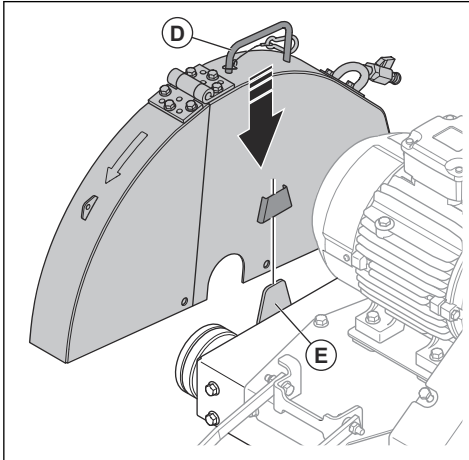
- c) Remove the rear bolt and the blade guard latch (C).
2. Move the blade guard latch to the opposite side of the blade guard. Do the procedure that follows.
 - a) Install the blade guard latch and tighten the rear bolt.

- b) Put the blade guard latch on the front bolt of the blade guard. Tighten the front bolt (A).

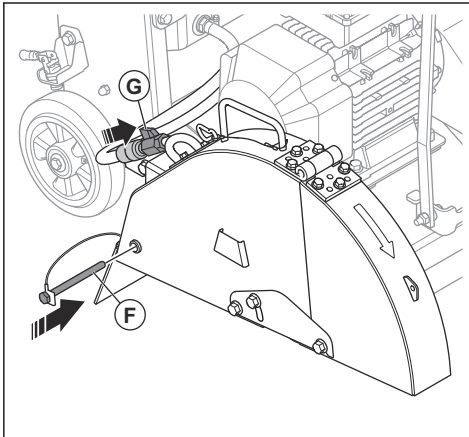


CAUTION: Do not operate the product without the blade guard latch engaged. Do not use the product if the parts are damaged.

3. Use the handle (D) to lift the blade guard and install the blade guard onto the support (E).

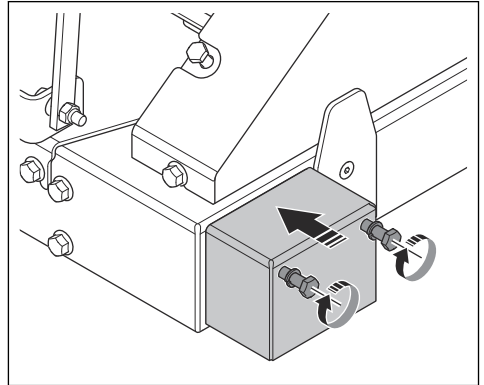


4. Install the screw (F) for the blade guard.



5. Connect the water hose (G).

6. Install the flange cover on the opposite side of the product and tighten the 2 screws.



To remove the blade guard

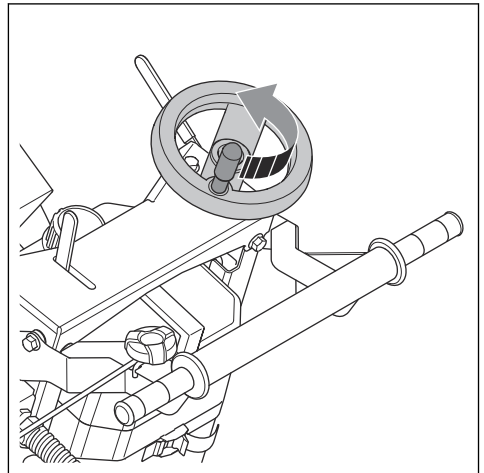
1. Stop the motor. Refer to *To stop the product on page 19*.
2. Remove the blade guard in the opposite sequence of how it was installed. Refer to *To install the blade guard on page 14*.

To set the cutting depth indicator

The indicator must be calibrated before you use the product.

Note: The lever for the cutting depth wheel must always be locked when the cutting depth wheel is not in use.

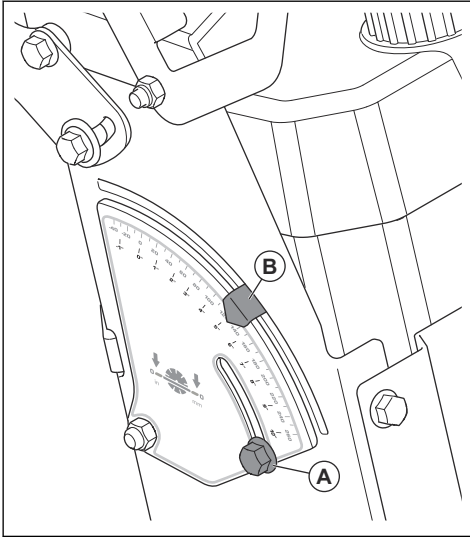
1. Turn the cutting depth wheel until the cutting blade slightly touches the ground. Push the lever to lock the cutting depth wheel.





CAUTION: Do not lower the cutting blade too quickly. If the cutting blade hits the surface with force, it can cause damage to the cutting blade.

2. Loosen the screw (A).



3. Rotate the indicator plate until the position "0" is at the center of the arrow (B).
4. Tighten the screw (A).



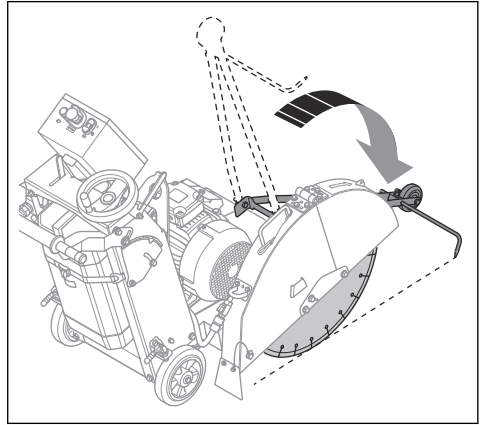
CAUTION: Always do a check that the cutting depth is correct. The indicator helps you to get the correct cutting depth but only gives an indication of the depth value.

To align the pointer with the cutting blade

Note: The pointer must be aligned with the cutting blade.

1. Put the inner flange along a line.

2. Lower the pointer and align the product with the marks.



3. Align the pointer with the line.
4. If necessary, adjust the pointer until it is aligned with the line.

Basic working techniques

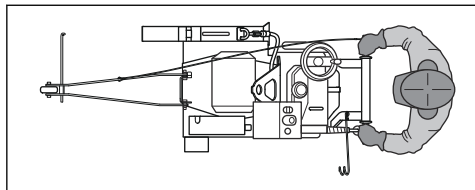


WARNING: The blade shaft rotates when the motor is started.

- Make sure that you always can push the machine stop button during the operation.
- Make sure that no tools or other objects have been left on the product.
- Maintain control of the product when the motor is started.
- Make sure that the blade guard is attached correctly before you start the product. Do not cut without the blade guard.
- Make line marks for all cuts before you start the operation. Make sure that there is no risk for the operator or the product.
- Do not turn, rotate or move the product from side to side while the cutting blade rotates.
- Make sure that there is always 1 more person near if you use the product. If an accident occurs, you can get help from that person.
- Do not go away from the product without the parking brakes engaged.

To use the correct working technique

- Stay away from the blade path while the motor is on. The correct operator position is behind the handles with both hands on the handles.



- Examine the cutting blade frequently for cracks and broken parts during the work day. Do not use a damaged cutting blade.



WARNING: Stop the motor and disconnect the power plug before you examine the cutting blade.

- Do not grind with the side of the cutting blade. The cutting blade can break and cause injury to the operator or bystanders. Only use the cutting edge.
- Do not bend or twist the cutting blade in the cut.
- Make sure that the cutting blade moves freely and does not catch in the cut.

Water supply

The cutting blade must have sufficient supply of water during operation. Use water from the water tank on the product or from an external water hose. Refer to *To fill the water tank on page 17* and *To connect the external water supply on page 18*.

To fill the water tank

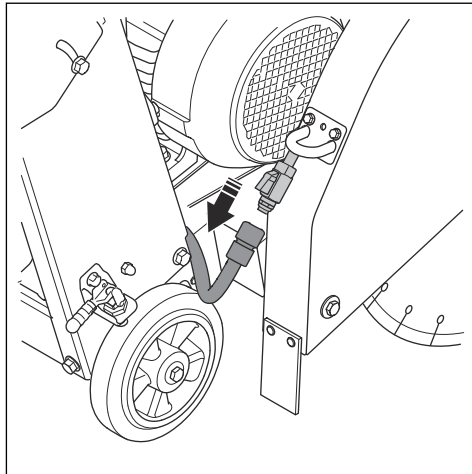


WARNING: Only put water in the tank. Do not put other liquids in the water tank.

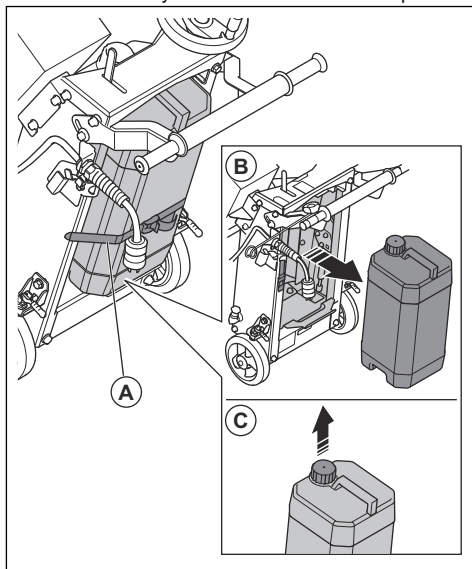


WARNING: Make sure that the cutting blade is slightly above the ground when you turn the water tap to adjust the water.

1. Close the water tap and disconnect the water hose.

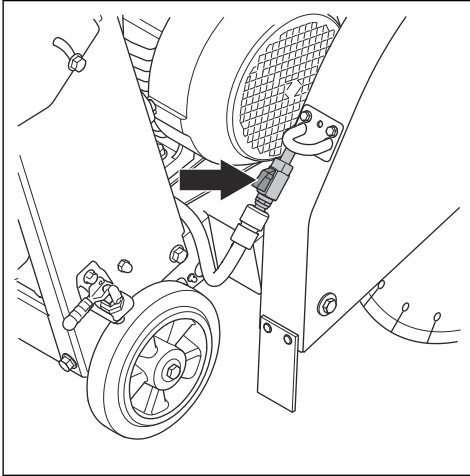


2. Remove the water tank strap (A) and the water tank (B). Do not spill water on the product. Move the water tank away to a safe distance from the product.

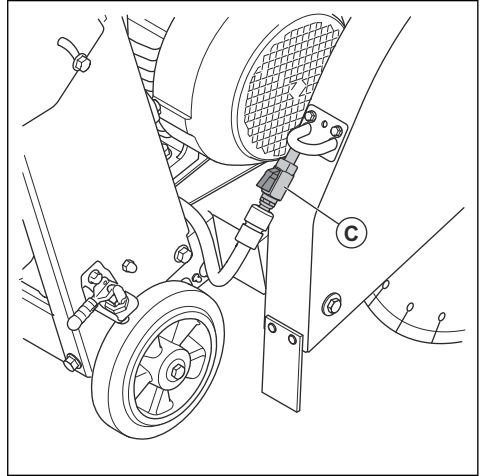


3. Remove the water tank lid (C) and fill the water tank with water.
4. Install the water tank lid.
5. Install the water tank.
6. Install the water tank strap and connect the water hose.

- Turn the water tap on the blade guard to adjust the water supply.



- To start or stop the water, push the water valve (B) or turn the water tap (C) on the blade guard.

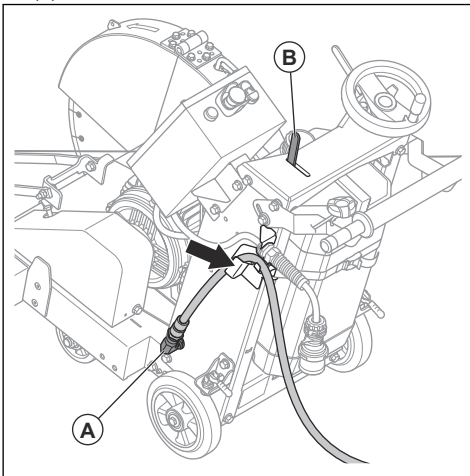


To connect the external water supply



WARNING: Make sure that the cutting blade is slightly above the ground when you turn the water tap to adjust the water.

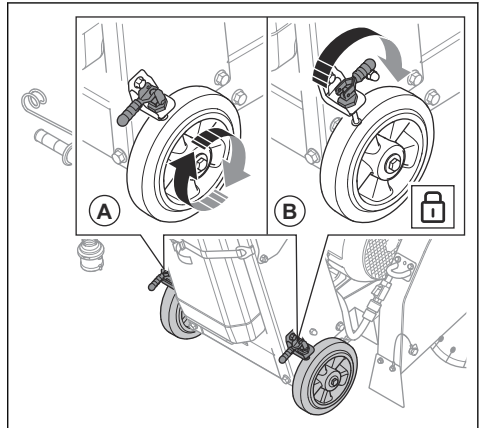
- Connect an external water hose to the water inlet (A). Put the external water hose in the hose holder.



- To adjust the water supply, push the water valve or turn the water tap on the blade guard.

To engage and disengage the parking brakes

- Disengage the parking brakes (A) to move the product.



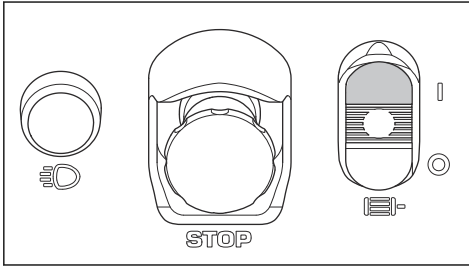
- Engage the parking brakes (B) to hold the product in position.

To start the product



WARNING: Make sure that the cutting blade is slightly above the ground.

- Push the ON/OFF button to "I" to start the product. In less than 5 seconds the product operates at the correct operation speed.



To stop the operation

Note: The lever for the cutting depth wheel must always be locked when the cutting depth wheel is not in use.

1. Pull the lever to unlock the cutting depth wheel.
2. Turn the cutting depth wheel clockwise until the cutting blade is slightly above the ground.
3. Push the lever to lock the cutting depth wheel.
4. Turn the water tap or push the water valve to stop the water supply. Refer to *To connect the external water supply on page 18*.

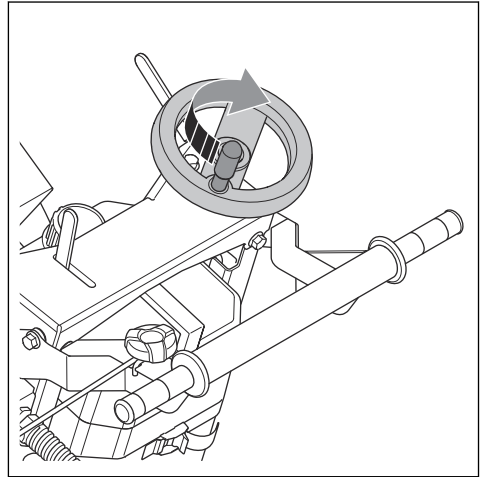
To stop the product



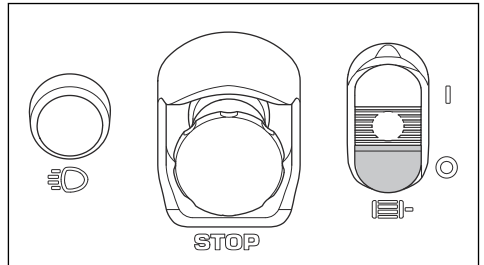
WARNING: The cutting blade rotates for a while after the motor stops.

Note: The lever for the cutting depth wheel must always be locked when the cutting depth wheel is not in use.

1. Turn the cutting depth wheel clockwise to lift the cutting blade. Push the lever to lock the cutting depth wheel.



2. Push the ON/OFF button to "0" to stop the motor.



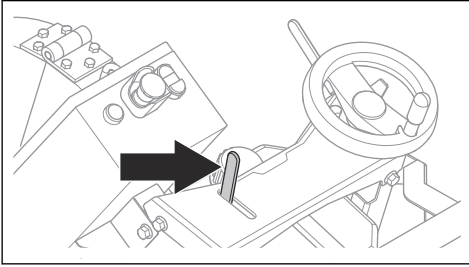
3. Engage the parking brakes.
4. Disconnect the power plug.

To cut the surface

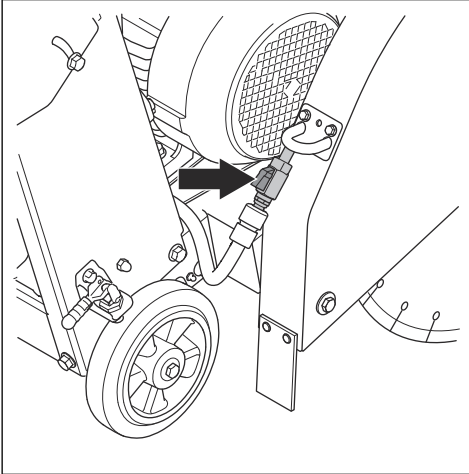
Note: The lever for the cutting depth wheel must always be locked when the cutting depth wheel is not in use.

1. Align the cutting blade with the marks on the ground or the guide cut.

2. If an external water hose is used, push the water valve to let the water on or off.

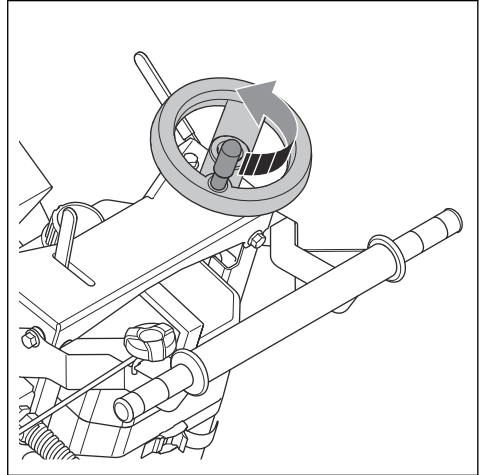


3. Turn the water tap to adjust the water supply.

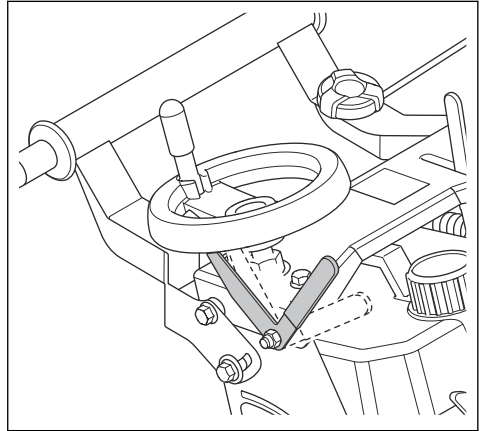


4. Do a check of the water flow. If it is necessary, adjust the water supply.
5. Start the motor. Refer to *To start the product on page 18.*

6. Slowly turn the cutting depth wheel counterclockwise to lower the cutting blade.



7. Make a cut as a guide, approximately 20-30 mm.
8. Do cut increments of 50 mm until you get the necessary depth. Push the lever to lock the cutting depth wheel.



9. Adjust the water supply when you operate the product. Each side of the cutting blade must have sufficient supply of water to cool down the cutting blade. The water also prevents dust buildup.
10. Cut only in a line, align the cutting blade with the marks.
11. Slowly push the product forward and make sure that the pointer and the cutting blade are aligned with the marks.



CAUTION: Do not move the product from side to side to align the cutting blade with the marks.

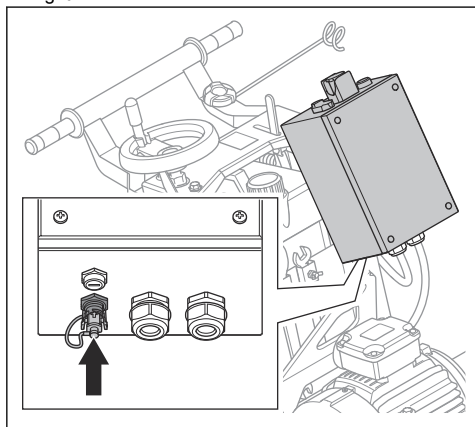
To operate the light kit

The light kit is an accessory. Only use the 24 V outlet for the working light for Husqvarna approved light kits.

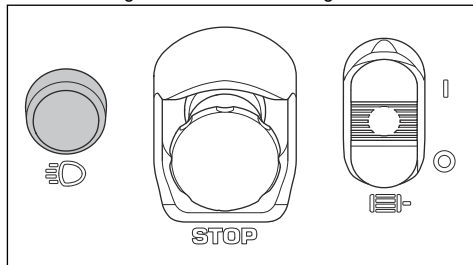


WARNING: Do not look into the beam.

1. Install the light kit to the 24 V outlet for the working light.



2. Push the light switch to make the light kit come on.



3. Push the light switch again to make the light kit go off.

Maintenance

Introduction



WARNING: Read and understand the safety chapter before you do maintenance on the product.

For all servicing and repair work on the product, special training is necessary. We guarantee that professional repairs and servicing is available. If your dealer is not a service agent, speak to them for information about the nearest service agent.

For spare parts, speak to your Husqvarna dealer or service agent.

To do before the maintenance

- Make sure that the product cannot move during maintenance. Engage the parking brakes and put wheel chocks behind and front of the wheels.
 - Always pull out the plug from the mains outlet before you clean, do maintenance or assemble the product.
 - Clean the area around the product from oil and dirt. Remove unwanted objects.
 - Put clear signs around the maintenance area to give a warning to bystanders that maintenance work is in progress.
 - Keep fire extinguishers, medical supplies and an emergency phone near.
- Park the product on a level surface and stop the motor. Push the machine stop button on the control panel to prevent accidental start during maintenance.

Maintenance schedule

Maintenance	Daily	Monthly
Clean the external surfaces of the product with water. Refer to <i>To clean the product on page 22</i> .	X	
Do a general inspection. Refer to <i>To do a general inspection on page 23</i> .	X	
Do a check of the drive belt. If it is necessary, adjust the tension of the drive belt. Refer to <i>To adjust the tension of the drive belt on page 23</i> .	X	
Do a check of the machine stop button. Refer to <i>To do a check of the machine stop button on page 10</i> .	X	
Do a check of the ON button and OFF button. Refer to <i>To do a check of the ON button and OFF button on page 9</i> .	X	
Do a check of the water flow. If the water flow is not sufficient, do a check of the water filter. If it is necessary, clean the water filter. Refer to <i>To clean the water filter on page 22</i> .	X	
Do a check of the blade guards. Refer to <i>To do a check of the blade guard on page 10</i> .	X	
Do a check of the cutting blade. Refer to <i>Cutting blades on page 11</i> .	X	
Lubricate the bushings and the lever for cutting depth adjustment. Refer to <i>To lubricate the product on page 23</i> .	X	
Lubricate the nut at the drive belt plate and the axle. Refer to <i>To lubricate the product on page 23</i> .		X

To clean the product



WARNING: Use protective glasses. When you clean the product, dirt and harmful material can eject from the product.



CAUTION: A blocked air intake decreases the performance of the product and can cause the motor to become too hot.

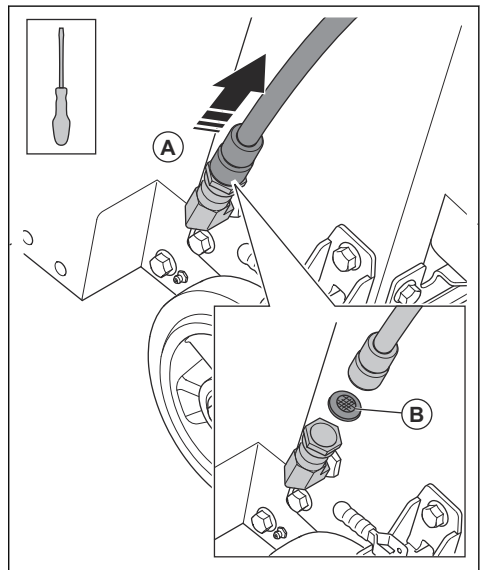
- Let the product become cool before you clean it.
- Do not clean electrical components with water.
- Use a weak cleaning agent. Put on protective gloves to prevent skin irritation.
- Always clean all the equipment at the end of the work day. Do not use a high-pressure washer to clean the product.
- Remove blockage from all air openings.

To clean the water filter



CAUTION: A blocked water filter decreases the water flow to the cutting blade and can cause the cutting blade to become too hot.

1. Disconnect the external hose (A) from the water inlet.



2. Remove the water filter (B) with a flat screwdriver.

3. Do a check of the water filter. If it is necessary, clean the water filter.
4. Install the water filter and connect the external hose.

To do a general inspection

- Make sure that the nuts and screws on the product are tightened.
- Make sure that the cables on the product are not in a position where they can become damaged.
- Examine the electrical parts for damage. Do not operate a product that has damaged electrical parts.
- Examine the water hoses for leakage. Do not operate a product that has damaged water hoses.

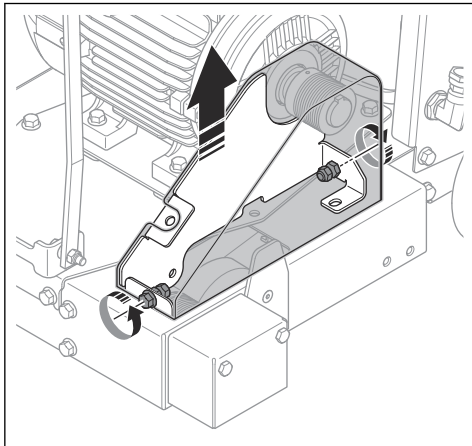
To adjust the tension of the drive belt



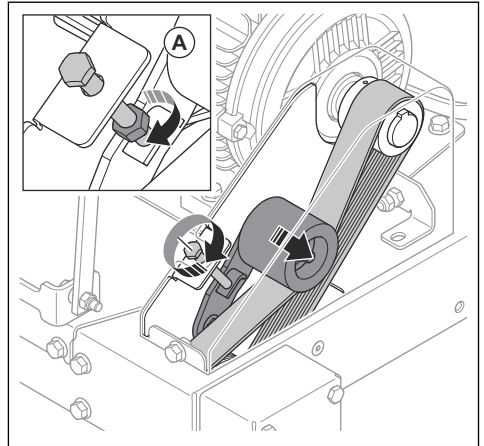
CAUTION: Make sure that the drive belt is not damaged.

The tension of a new drive belt must be adjusted after 2 hours.

1. Loosen the 2 screws and remove the drive belt cover.



2. Loosen the locknut (A).



3. Turn the tension screw to adjust the pressure of the pulley against the drive belt. The tension of the drive belt is correct when the drive belt frequency is in the interval given in *Technical data on page 26*.
4. Tighten the locknut.
5. Install the drive belt cover and tighten the 2 screws.

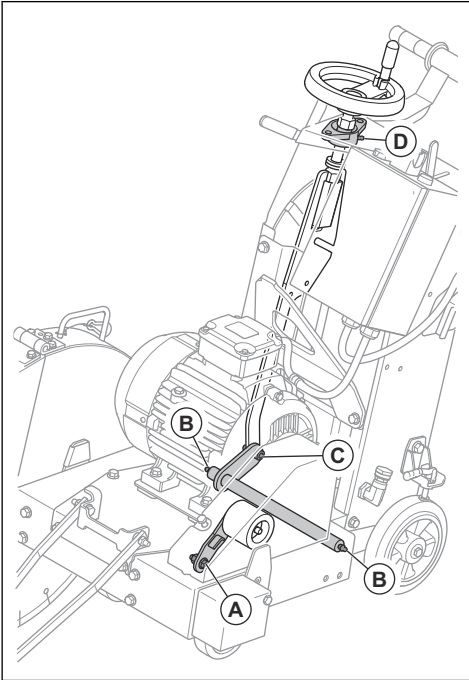
To lubricate the product

Note: The lever for the cutting depth wheel must always be locked when the cutting depth wheel is not in use.

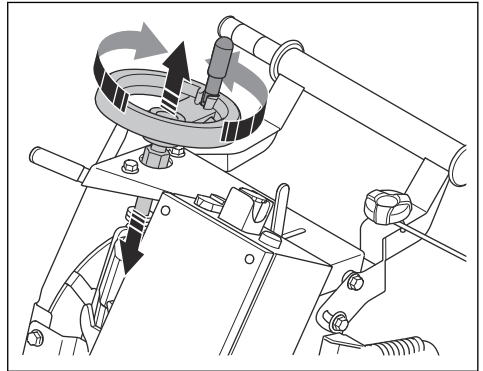
Lubricate the components that follow. Lubricate until the grease can be seen at the edges. For correct grease, refer to *Technical data on page 26*.

1. Connect the grease gun to the grease nipple.
2. Lubricate the bushing (A) at the drive belt plate with a brush.

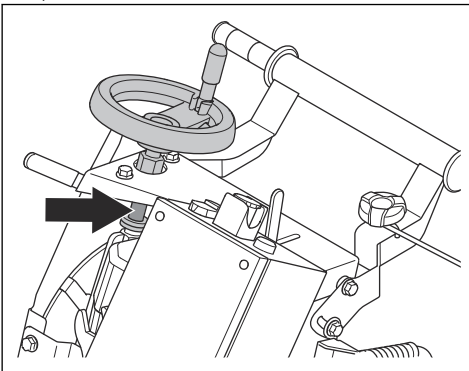
3. Lubricate the bushings (B), on the left side and the right side of the product. Use a grease gun.



- b) Turn the cutting depth wheel clockwise and counterclockwise again and again and lubricate equally. Push the lever to lock the cutting depth wheel.



4. Lubricate the axle (C) with a brush.
5. Lubricate the lubrication points of the lever for cutting depth adjustment (D). Use a grease gun.
a) Lubricate the axle below the nut.



Troubleshooting

The product does not start

- Make sure that the power supply and the power cords are not damaged.
- Examine the machine stop button, turn the button clockwise to release the machine stop button.
- Examine the error indicator. Refer to *Error indicator on page 25*.

The product suddenly stops

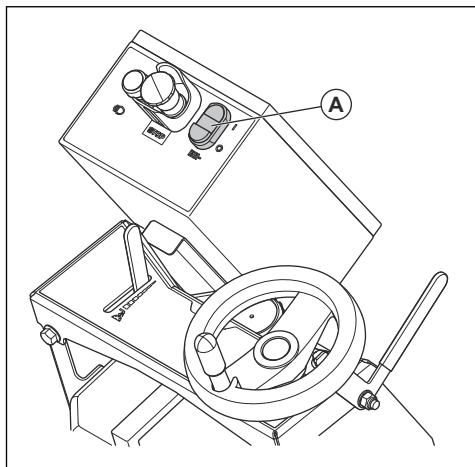
- If the work load is too heavy for the product, the motor protection engages and stops the motor. Refer to *Error indicator on page 25*.

The product stops during startup

Correct voltage supply is necessary for a good motor performance. Too long extension cords or too weak extension cords decrease the power of the motor during operation.

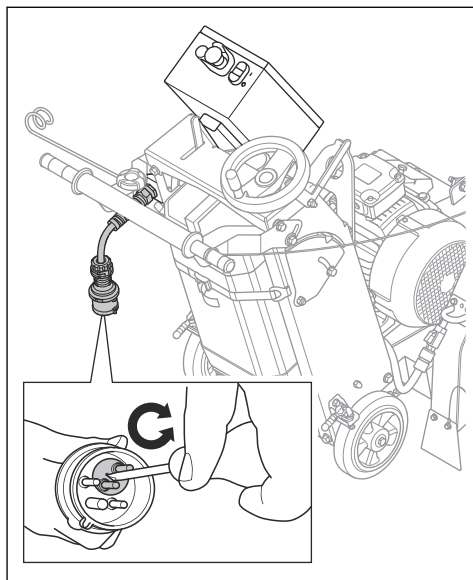
- If the work load is too heavy for the product, the motor protection trips and stops the motor. Refer to *Error indicator on page 25*.
- Make sure that the extension cords are not too long or too weak. Try to start the product again.
- Make sure that the cutting blade moves freely.
- If the product continues to stop during startup, speak to an approved service workshop.

Error indicator



The error indicator (A) comes on in these situations:

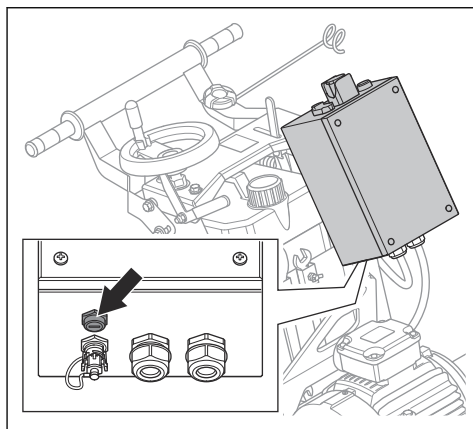
- The motor has been overloaded. The motor stops.
- There is a phase error. It is necessary to adjust the power plug.



Let the motor protection become cool and the error indicator go off before you start the motor again. You must wait for approximately 60 seconds.

The working light does not start

- Examine the fuse for the working light. If the fuse is broken, replace the fuse with a correct fuse. Refer to *Technical data on page 26*.



Transportation, storage and disposal

Transportation

- Remove the cutting blade before the transportation.
- This product is heavy. Be careful when you lift the product, risk of injuries. Refer to *To lift the product on page 26*.

- Obey special requirements for commercial transportation.
- Safety the product during transportation. Make sure that it cannot move.

To lift the product



WARNING: Make sure that the lifting equipment has the correct dimension. The rating plate on the product shows the product weight.



WARNING: Make sure that the lifting eye is not damaged.



WARNING: Do not walk or stay below or near a lifted product.

- Use correct lifting equipment to lift the product. Do not lift the product manually.
- Use the lifting eye that is attached to the product when you lift it.
- Use boots with steel toe-caps and non-slip soles.

Storage of the product

- Keep the product in a locked area to prevent access for children or persons that are not approved.
- Always keep the product indoors.
- Keep the product in a dry and frost free area.
- Remove the cutting blade from the product after the operation. When you put the cutting blade into storage, it must be dry.
- Keep the product on a flat, level surface.

Disposal

Symbols on the product or the packaging of the product indicate that this product cannot be handled as domestic waste. It must be submitted to an appropriate recycling station for the recovery of electrical and electronic equipment.

By ensuring that this product is taken care of correctly, you can help to counteract the potential negative impact on the environment and people that can otherwise result through the incorrect waste management of this product. For more detailed information about recycling this product, contact your municipality, your domestic waste service or the shop from where you purchased the product.

Technical data

Technical data

Motor output, kW	7.5
Rated voltage, VAC @ frequency, Hz	3~400 @ 50 (CE) 3~415 @ 50 (AUS)
Rated current, A	15
Power plug	CEE, 3~, 16A (CE) 56P420, 20A, 500V (AUS)
Max. blade diameter, mm	600
Max. cutting depth, mm	240
Max. rotation speed of the spindle (at nominal motor speed 2925 rpm), rpm	1765
Arbor diameter, mm	25.4
Blade flange diameter, mm	116
Max. water pressure, bar	6
Nominal weight (uncrated), kg	178
Maximum operating weight without water tank, kg	183
Maximum operating weight with full water tank, kg	214

Grease	DIN 51825 grease class K2K-30 or K3K-30
Correct belt tension, Hz	88-93
Outlet for working light, VDC	24
Fuse for working light, A	4 (5x20 mm)
Blade screw torque, Nm/ft lbs	100/74

Sound levels

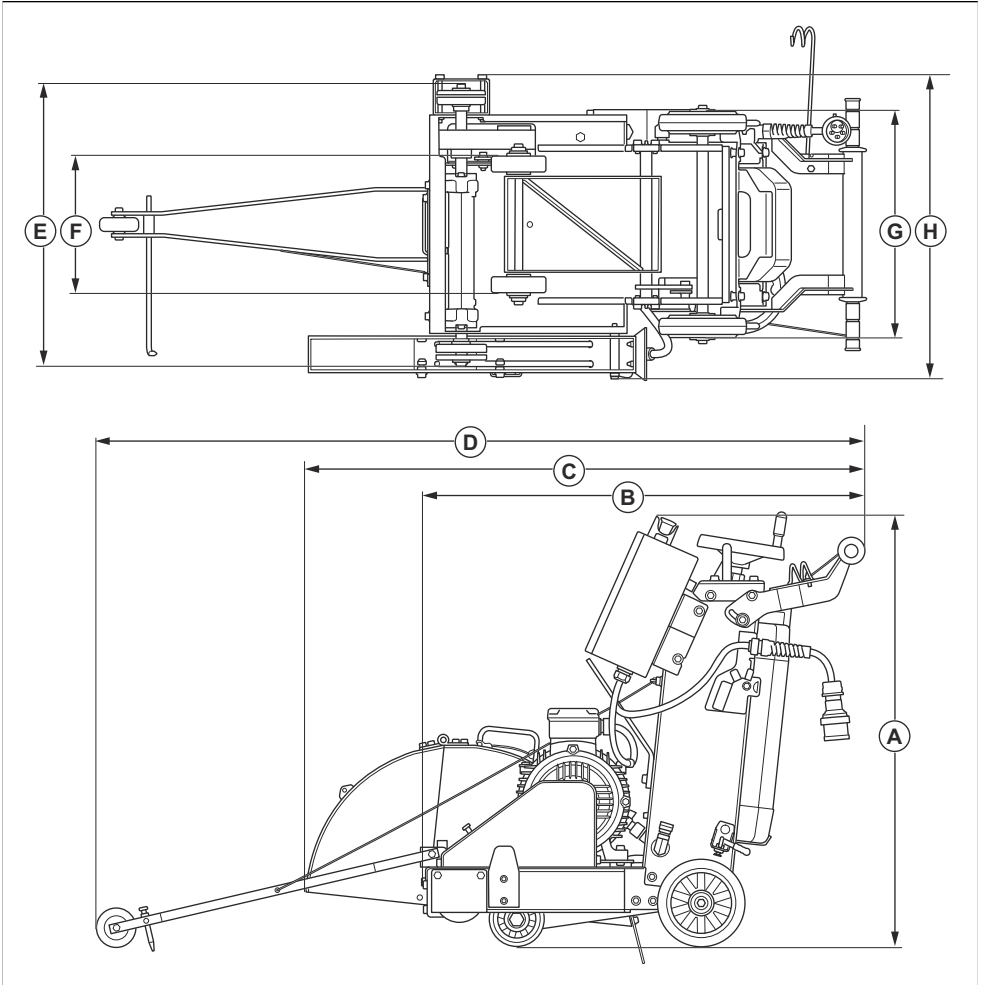
Noise and vibration emissions	
Sound power level L_{WA} (measured), dB (A)	105
Sound power level L_{WA} (guaranteed), dB (A) ¹	107
Sound pressure level at the operators ear, dB (A) ²	83
Vibration levels a_{HV} , m/s ² , right handle/left handle ³	2.6/3.1

Noise and vibration declaration statement

These declared values were obtained by laboratory type testing in accordance with the stated directive or standards and are suitable for comparison with the declared values of other products tested in accordance with the same directive or standards. These declared values are not suitable for use in risk assessments and values measured in individual work places may be higher. The actual exposure values and risk of harm experienced by an individual user are unique and depend upon the way the user works, in what material the product is used, as well as upon the exposure time and the physical condition of the user, and the condition of the product.

-
- ¹ Noise emissions in the environment measured as sound power (L_{WA}) in conformity with EC directive 2000/14/EC. The difference between guaranteed and measured sound power is that the guaranteed sound power also includes dispersion in the measurement result and the variations between different machines of the same model according to Directive 2000/14/EC.
 - ² Noise pressure level according to EN 13862. Reported data for noise pressure level has a typical statistical dispersion (standard deviation) of 2.5 dB (A)
 - ³ Vibration level according to EN 13862. Reported data for vibration level has a typical statistical dispersion (standard deviation) of 1 m/s²

Product dimensions



A	Height, mm	985	E	Min. width (blade guard is not installed), mm	645
B	Min. length (pointer up and blade guard or cutting blade is not installed), mm	1010	F	Front wheel width, mm	320
C	Length (pointer up and blade guard is installed), mm	1275	G	Rear wheel width, mm	520

D	Max. length (pointer down), mm	1750	H	Max. width (blade guard is installed), mm	700
----------	--------------------------------	------	----------	---	-----

Accessories

Approved Husqvarna accessories

- Light kit.
- Water tank.

Declaration of Conformity

EU Declaration of Conformity

We, Husqvarna AB, SE 561 82 Huskvarna, SWEDEN,
Tel: +46 36 146500 declares on our sole responsibility
that the product:

Description	Floor cutting-off machine
Brand	HUSQVARNA
Type/Model	FS 600 E
Identification	Serial numbers dating from 2021 and onwards

complies fully with the following EU directives and
regulations:

Directive/Regulation	Description
2006/42/EC	"relating to machinery"
2014/30/EU	"relating to electromagnetic compatibility"
2000/14/EC	"relating to outdoor noise"
2011/65/EU	"relating to restriction of hazardous substances"

and that the following standards and/or technical
specifications are applied;

EN ISO 12100:2010

EN 13862:2001+A1:2009

EN 55014-1:2021

EN 61000-6-2:2019

EN 61000-3-2:2019+A1:2021

EN 61000-3-3:2013+A1:2019

EN IEC 63000:2018

Conformity assessment procedure acc 2000/14/EC:
Annex V.

For information relating to noise emissions, refer to
Technical data on page 26.

Partille, 2021-12-08

Erik Silfverberg

R&D Director, Concrete Sawing & Drilling Equipment

Husqvarna AB, Construction Division

Responsible for technical documentation



A handwritten signature in black ink, appearing to be 'Erik Silfverberg', written in a cursive style.

UK Declaration of Conformity

We, Husqvarna AB, SE 561 82 Huskvarna, SWEDEN,
Tel: +46 36 146500 declare on our sole responsibility
that the product:

Description	Floor cutting-off machine
Brand	HUSQVARNA
Type/Model	FS 600 E
Identification	Serial numbers dating from 2021 and onwards

complies fully with the following UK regulations:

The Supply of Machinery (Safety) Regulations 2008
Electromagnetic Compatibility Regulations 2016
The Noise Emission in the Environment by Equipment for use Outdoors Regulations 2001
The Restriction of the Use of Certain Hazardous Substances in Electrical and Electronic Equipment Regulations 2012

and that the following standards and/or technical specifications are applied;

EN ISO 12100:2010

EN 13862:2001+A1:2009

EN 55014-1:2021

EN 61000-6-2:2019

EN 61000-3-2:2019+A1:2021

EN 61000-3-3:2013+A1:2019

EN IEC 63000:2018

Conformity assessment procedure according to the Outdoor Noise Regulations of 2001: Schedule 8.

For information relating to noise emissions, refer to *Technical data on page 26*.

Partille, 2021-12-08



Erik Silfverberg

R&D Director, Concrete Sawing & Drilling Equipment

Husqvarna AB, Construction Division

Responsible for technical documentation

**UK
CA**

UK Importer:

Husqvarna UK Limited
Preston Road, Aycliffe
Business Park Newton
Aycliffe, County Durham
UK DL5 6UP

Indhold

Indledning.....	32	Transport, opbevaring og bortskaffelse.....	56
Sikkerhed.....	36	Tekniske data.....	56
Drift.....	41	Tilbehør.....	59
Vedligeholdelse.....	52	Overensstemmelseserklæring.....	60
Fejlfinding.....	54		

Indledning

Produktbeskrivelse

Produktet er en elektrisk gulvsav med en pil med bagvedgående fører.

Anvendelsesformål

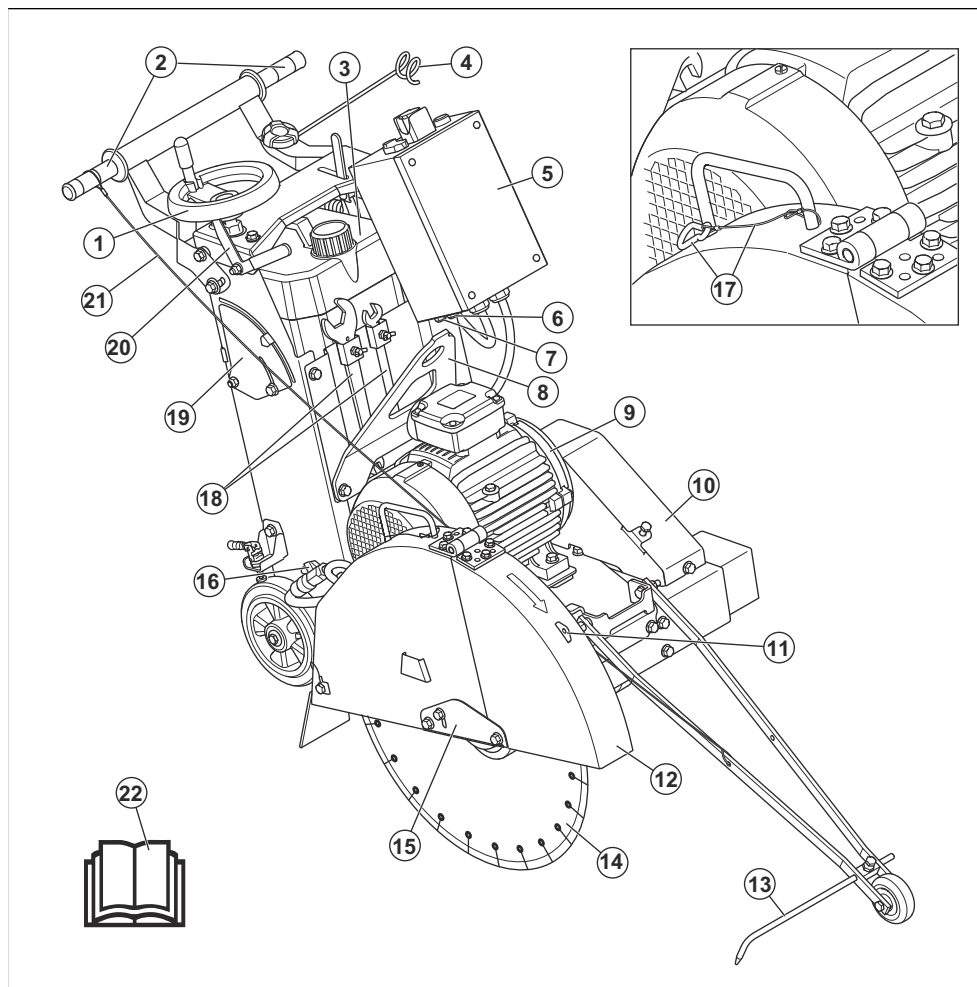
Dette produkt anvendes med diamantklinger til vådskæring af gulvoverflader i hårde materialer, f.eks.

beton, asfalt og sten. Al anden anvendelse er ikke korrekt.

Produktet anvendes til industriel brug af brugere med erfaring.

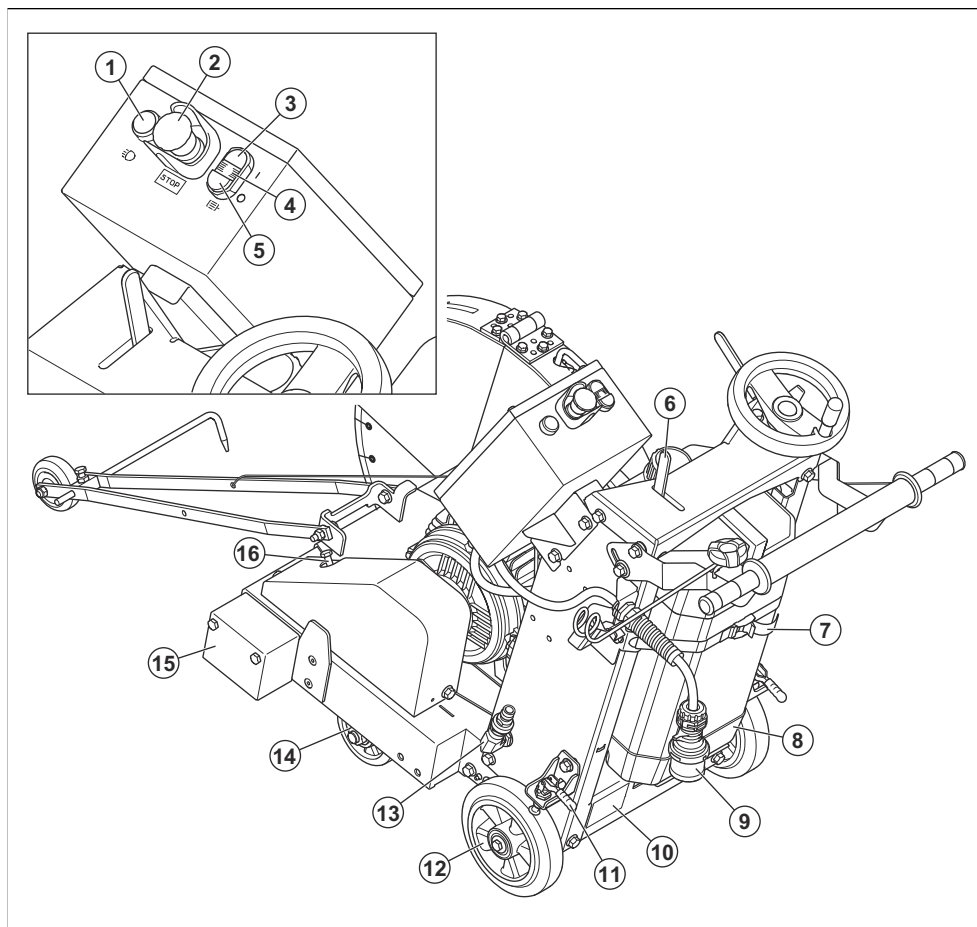
Dette produkt er kun til indendørs brug og må ikke bruges udendørs eller på våde overflader.

Produktoversigt, højre side



- | | |
|-----------------------------------|--|
| 1. Skæredybdehjul | 12. Klingebeskyttelse |
| 2. Håndtag | 13. Pål |
| 3. Vandtank og låg (ekstraudstyr) | 14. Klinge (medfølger ikke) |
| 4. Kabel og slangestyk | 15. Klingebekyttelsessystem |
| 5. Elkabinet | 16. Vandhane |
| 6. Sikring til arbejdslys | 17. Wire og karabinhage |
| 7. Udgang til arbejdslys | 18. Serviceværktøj |
| 8. Løfteøje | 19. Skæredybdeindikator |
| 9. Motor | 20. Håndtag til låsning af skæredybden |
| 10. Drivremafdækning | 21. Markørreb |
| 11. Beslag til karabinhagen | 22. Brugervejledning |

Produktoversigt, venstre side



1. Lyskontakt til arbejdslygter (lyssæt ekstraudstyr)
2. Maskinstopknop
3. KNAPPEN TIL
4. Fejlindikator
5. ON/OFF-knap
6. Vandventil
7. Vandtankens kapacitet
8. Vandtank (ekstraudstyr)
9. Strømstik
10. Typeskilt
11. Parkeringsbremse
12. Baghjul
13. Vandindløb og vandfilter
14. Forhjul
15. Flangedæksel

16. Strammeskruer, drivrem

Symboler på produktet



ADVARSEL: Dette produkt kan være farligt og forårsage alvorlig personskade eller død for brugeren eller andre. Vær forsigtig, og brug produktet korrekt.



Læs brugsanvisningen, og sørg for at have forstået indholdet, inden du bruger dette produkt.



Risiko for skæreskader. Hold alle kropsdele væk fra skæreklingen.



Hold kropsdele væk fra skæreklingen og andre bevægelige dele.



Sørg for, at skæreklingen ikke er sløv eller har skader, f.eks. revner.



Klingebeskyttelserne skal altid monteres på produktet. Lad ikke mere end 180° af skæreklingen være synlig.



Skæreklingen skal gælde for samme hastighed eller en højere hastighed end værdien, der fremgår af produktet. En skæreklinge, der betjenes ved for høj hastighed, kan gå i stykker og forårsage kvæstelser eller skader.



ADVARSEL: Støv kan medføre helbredsproblemer. Brug et godkendt åndedrætsværn. Sørg altid for, at der er god luftgennemstrømning.



ADVARSEL: Se ikke ind i strålen. Denne advarsel gælder kun, når lyssættet er installeret.



Brug høreværn, øjenværn og åndedrætsværn. Se *Personligt beskyttelsesudstyr på side 39*.



Risiko for elektrisk stød. Kontrol og/eller vedligeholdelse skal udføres med motoren slukket og stikket trukket ud af stikkontakten.



Al flytning af maskinen uden for skæreområdet skal udføres, mens værktøjet ikke roterer.



Fjern klingens skærm før transport, når du løfter, anbringer eller fjerner produktet.



Pilen på klingeskærmen viser, i hvilken retning skæreklingen roterer.



Aktivér/deaktivér parkeringsbremsene.



Fyld kun tanken op med vand.



Ventil til skæreklingens vandkølesystemer.



Hæve-/sænkekontrol til justering af skæredybden.



Løft altid produktet vha. løftepunktet.



Beskyttelsesjord.



ON-knap.



OFF-knap.



Maskinstopknap.



Lyskontakt til arbejdslys.



ON/OFF-knap til motor, fejlindikator.



Støjemission til miljømærket i henhold til EU- og UK-direktiver og -bestemmelser. Produktets garanterede lydeffektivniveau er angivet i *Lydniveauer på side 57*, *Overensstemmelseserklæring på side 60* og på mærkaten.



Risiko for elektrisk stød. Dette udstyr må kun serviceres af godkendt personale.



Dette produkt overholder gældende EU-direktiver.



Dette produkt er i overensstemmelse med gældende UK-bestemmelser.



Produktet og produktballagen er ikke almindeligt husholdningsaffald. Aflever det på en godkendt genbrugsstation til elektrisk og elektronisk udstyr.

Typeskit

1 Husqvarna® 2

Husqvarna AB,
S-561 82,
Huskvärna,
Sweden
Made in China

3

4

ARTICLE NO. 5

SERIAL NO. (HID) 6

7 9 12

10 13

8 11 14

15

Ø

1. Producent
2. Producentens adresse
3. Kode, der kan scannes
4. Typebetegnelse:
5. Vare-nr.
6. Serienummer
7. Produktvægt
8. Produktionsdato, år/måned
9. Spænding: 3-faset vekselstrøm, V
10. Frekvens, Hz
11. Nominel strøm, A
12. Motoreffekt, kW
13. Maksimal skæreklingediameter, mm/tommer
14. Maks. spindelhastighed, n/min.
15. Yderligere oplysninger

Produktansvar

Som nævnt i produktansvarsbestemmelserne hæfter vi ikke for skader forårsaget af vores produkt, hvis:

- produktet er forkert repareret.
- produktet er repareret med dele, der ikke er fra producenten eller ikke er godkendt af producenten
- produktet har tilbehør, der ikke er fra producenten eller ikke er godkendt af producenten.
- produktet ikke er repareret på et godkendt servicecenter eller af en godkendt myndighed.

Sikkerhed

Sikkerhedsdefinitioner

Advarsler, forholdsregler og bemærkninger bruges til at pege på særligt vigtige dele af brugsanvisningen.



ADVARSEL: Bruges, hvis føreren udsætter sig selv eller omkringstående personer for risiko for personskade eller dødsfald ved tilsidesættelse af instruktionerne i brugsanvisningen.



BEMÆRK: Bruges, hvis der er risiko for skader på produktet, andre materialer eller det omgivende område ved tilsidesættelse af instruktionerne i brugsanvisningen.

Bemærk: Bruges til at give yderligere oplysninger, der er nødvendige i en given situation.

Generelle sikkerhedsadvarsler om elværktøj



ADVARSEL: Læs alle sikkerhedsadvarsler, instruktioner, illustrationer og specifikationer, der følger med dette elværktøj. Hvis du ignorerer de nedenfor anførte instruktioner, kan det medføre elektrisk stød, brand og/eller alvorlige skader.

Opbevar alle advarsler og instruktioner til senere brug. Betegnelsen "elværktøj" i advarslerne henviser til dit værktøj, som drives af strøm fra elektricitetsnettet (med ledning) eller fra batteri (ledningsfrit).

Sikkerhed i arbejdsområdet

- **Hold arbejdsområdet rent og godt oplyst.** Rodede eller mørke områder er en invitation til ulykker.
- **Betjen ikke elværktøj i områder med eksplosionsfare som f.eks. i nærheden af brændbare væsker, luftarter eller støv.** Elværktøj danner gnister, som kan antænde støv eller dampe.
- **Hold børn og tilskuere borte, mens elværktøjet betjenes.** Distraction kan få dig til at miste styringen.

Elektrisk sikkerhed

- **Stikket på elværktøjet skal passe til stikkontakten. Man må aldrig ændre på stikket. Brug ikke adapterstik.** Uændrede stik og passende stikkontakter reducerer risikoen for elektrisk stød.
- **Undgå kropskontakt med jordede genstande som f.eks. rør, radiatorer, komfurer og køleskabe.** Der er øget risiko for elektrisk stød, hvis din krop har forbindelse til jord.
- **Udsæt ikke elværktøj for regn eller våde omgivelser.** Vand, som trænger ind i et elværktøj, forøger risikoen for elektrisk stød.
- **Behandl kablet forsigtigt. Benyt aldrig kablet til at bære eller trække i elværktøjet eller til at trække stikket ud. Hold ledningen væk fra varme, olie, skarpe kanter eller bevægelige dele.** Beskadigede eller filtrede kabler forøger risikoen for elektrisk stød.
- **Når du betjener et elværktøj udendørs, skal du benytte en forlængerledning, der egner sig til udendørs brug.** Brug af en ledning, der er egnet til udendørs brug, reducerer risikoen for elektrisk stød.
- **Når du betjener et elværktøj, skal du altid anvende en strømforsyning, der er beskyttet af en fejlstrømsafbryder.** Brug af et kabel med fejlstrømsafbryder nedsætter risikoen for elektrisk stød.
- **Kontrollér, at stikkontakten har samme spænding, som vist på produktets typeskilt. Se Typeskilt på side 36.**

Personlig sikkerhed

- **Vær altid opmærksom, hold øje med, hvad du foretager dig, og benyt sund fornuft, når du betjener elværktøj.** Benyt ikke elværktøj, hvis du er træt eller er påvirket af narkotika, alkohol eller medicin. Et øjeblik uopmærksomhed under betjening af elværktøj kan resultere i alvorlig personskade.
- **Bær personligt beskyttelsesudstyr. Brug altid beskyttelsesbriller.** Beskyttelsesudstyr som støvmaske, skridsikre sikkerhedssko, beskyttelsehjelm eller høreværn, som benyttes til de relevante formål vil nedsætte risikoen for personskade.
- **Sørg for at forhindre uønsket start af værktøjet. Sørg for, at kontakten er i frakoblet position, før du slutter produktet til strømkilden og/eller batterienheden, samt når du tager eller bærer produktet.** At bære elværktøj med fingeren på kontakten eller at sætte strøm til elværktøj med tændt kontakt er en invitation til ulykker.
- **Fjern alle indstillingsnøgler eller tænger, før elværktøjet tændes.** En tang eller nøgle, der efterlades på en roterende del af elværktøjet, kan forårsage personskade.
- **Stræk dig ikke for langt. Sørg for altid at have godt fodfæste og god balance.** Det sikrer bedre kontrol med elværktøjet i uventede situationer.
- **Bær det korrekte tøj. Undgå at bære løstsiddende tøj eller smykker. Hold hår og tøj væk fra bevægelige**

dele. Løst tøj, smykker eller langt hår kan blive fanget af bevægelige dele.

- **Hvis der forefindes udstyr til støvudsugning og -opsamling, skal du sikre, at det er tilsat, og at det bruges korrekt.** Brug af støvopsamling kan nedbringe støvrelaterede farer.
- **Lad ikke erfaringen fra tidligere brug af værktøjer gøre dig eftergivende, så du ignorerer sikkerhedsprincipperne for værktøjet.** En uforsigtig handling kan give alvorlige skader på en brøkdæl af et sekund.

Brug og pleje af elværktøj

- **Brug ikke magt ved brug af elværktøjet. Brug det korrekte elværktøj til din opgave.** Det korrekte elværktøj udfører arbejdet bedre og mere sikkert ved den norm, som det er konstrueret til.
- **Benyt ikke elværktøjet, hvis kontakten ikke kan slå til og fra.** Ethvert stykke elværktøj, som ikke kan styres med kontakten, er farligt og skal repareres.
- **Tag stikket ud af stikkontakten og/eller fjern batterienheden, hvis den kan tages ud, fra elværktøjet, før du foretager justeringer, skifter tilbehør eller sætter det til opbevaring.** Denne form for forebyggende sikkerhedsforanstaltninger nedsætter risikoen for, at elværktøjet startes ved et uheld.
- **Opbevar elværktøj der ikke er i brug uden for børns rækkevidde og lad ikke personer, der ikke er bekendt med elværktøjet eller disse instruktioner, betjene elværktøjet.** Elværktøj er farligt i hænderne på utrænede brugere.
- **Vedligeholdelse af eldrevne redskaber og tilbehør. Kontroller, om bevægende dele sidder forkert eller binder, om dele er ødelagt og enhver anden tilstand, som kan påvirke elværktøjets funktion. Hvis elværktøjet er beskadiget, skal det repareres, før det bruges igen.** Mange ulykker skyldes dårligt vedligeholdt elværktøj.
- **Hold skæreprodukter skarpe og rene.** Korrekt vedligeholdt skæreprodukter med skarpe klinger er mindre tilbøjelige til at binde og er lettere at styre.
- **Benyt elværktøj, tilbehør, værktøjsbits osv. i overensstemmelse med disse instruktioner og tag højde for arbejdsforholdene og det arbejde, der skal udføres.** Hvis man bruger det eldrevne produkt til andre formål end de tiltænkte, kan det medføre farlige situationer.
- **Hold håndtag og gribeblader tørre, rene og frie for olie og fedt.** Glatte håndtag og gribeblader muliggør ikke sikker håndtering og kontrol af værktøjet i uventede situationer.

Service

- **Få en kvalificeret reparatør til at foretage service på dit eldrevne produkt, og brug kun originale reservedele.** Det vil sikre, at elværktøjets sikkerhed bliver bibeholdt.

Generelle sikkerhedsinstruktioner



ADVARSEL: Læs følgende advarselsinstruktioner, inden du bruger produktet.

- Dette produkt er et farligt værktøj, hvis du ikke er forsigtig, eller hvis du bruger produktet forkert. Dette produkt kan forårsage alvorlig personskade eller død for brugeren eller andre. Anvend ikke produktet, før du har læst og forstået indholdet i denne brugsanvisning.
- Følg alle advarsler og anvisninger
- Overhold alle gældende love og bestemmelser.
- Brugeren og brugerens arbejdsgiver skal kende og forebygge farene i forbindelse med brugen af produktet.
- Lad ikke en person betjene produktet, medmindre vedkommende har læst og forstået indholdet i denne brugsanvisning.
- Brug ikke produktet, medmindre du har modtaget oplæring i det før brug. Sørg for, at alle brugere oplæres i produktet.
- Lad ikke børn betjene produktet.
- Lad kun autoriserede personer betjene produktet.
- Brugeren er ansvarlig for uheld på mennesker og materiel.
- Brug ikke produktet, hvis du er træt, syg eller påvirket af alkohol, narkotika eller medicin.
- Vær altid forsigtig, og brug din sunde fornuft.
- Dette produkt danner et elektromagnetisk felt under drift. Dette felt kan i nogle tilfælde påvirke aktive eller passive medicinske implantater. For at mindske risikoen for alvorlig personskade eller dødsfald anbefaler vi, at personer med medicinske implantater kontakter deres læge og producenten af det medicinske implantat, før de tager produktet i brug.
- Hold produktet rent. Sørg for, at skilte og mærkater er tydeligt læsbare.
- Brug ikke produktet, hvis det er fejlbehæftet.
- Du må ikke foretage ændringer af dette produkt.
- Brug ikke produktet, hvis der er risiko for, at andre personer har foretaget ændringer af produktet.

Sikkerhedsinstruktioner for betjening



ADVARSEL: Læs følgende advarselsinstruktioner, inden du bruger produktet.

- Læs de advarselsinstruktioner, der leveres af skæreklingeproducenten sammen med skæreklingen.
- Tilslut kun produktet til en strømforsyning, der er beskyttet af en gyldig sikring eller afbryder, maks. 30 A.
- Kontrollér, at produktet er korrekt samlet.

- Betjen ikke produktet, medmindre klingskærmen og afskærmningerne er installeret korrekt.
- Betjen ikke produktet med klingskærmen løftet fremad. Klingskærmen foran skal sænkes, låses og fastgøres korrekt.
- Forkert betjening af produktet kan medføre, at skæreklingen knækker og forårsager skader.
- Sørg for, at du ved, hvordan du standser motoren hurtigt i nødstilfælde.
- Bær personligt beskyttelsesudstyr. Se *Personligt beskyttelsesudstyr på side 39*.
- Sørg for, at kun autoriserede personer befinder sig i arbejdsområdet.
- Sørg for, at elektriske kabler i arbejdsområdet ikke er strømførende.
- Før du betjener produktet, skal du finde ud af, om der er skjulte ledninger, kabler og rør i arbejdsområdet. Hvis produktet rammer en skjult genstand, skal motoren standses med det samme, og produktet og genstanden skal undersøges. Betjen ikke produktet igen, før du ved, om det er sikkert at fortsætte.
- Sørg for at stå i en stabil og sikker stilling under brug.
- Produktet kan forårsage udkastning af genstande med høj fart. Sørg for, at alle personer i arbejdsområdet bruger godkendt personligt beskyttelsesudstyr. Fjern løse genstande fra arbejdsområdet.
- Før du går væk fra produktet, skal du standse motoren og kontrollere, at der ikke er nogen risiko for utilsigtet start.
- Du må ikke gå væk fra produktet, hvis parkeringsbremserne ikke er aktiveret.
- Vær meget forsigtig ved arbejde på skråninger. Produktet er tungt og kan forårsage alvorlig personskade, hvis det vælter eller bevæger sig for hurtigt.
- Sørg for, at materiale ikke løsner sig og falder ned og derved forårsager skade på føreren.
- Sørg for, at tøj, langt hår og smykker ikke kommer i klemme i bevægelige dele.
- Brug ikke produktet, hvis du ikke kan få hjælp i tilfælde af en ulykke.
- Flyt vandtanken væk til en sikker afstand fra produktet, når du fylder vandtanken.

Vejledning til jordforbundet produkt



ADVARSEL: Forkert tilslutning kan medføre elektrisk stød. Tal med en autoriseret elektriker, hvis du ikke er sikker på, om din stikkontakt er jordet korrekt.

Du må ikke ændre stikket i forhold til dets fabriksspecifikation. Hvis strømstikket eller netledningen er beskadiget eller skal udskiftes, skal du kontakte din Husqvarna servicerepræsentant. Overhold lokale regulativer og love.

Hvis du ikke helt forstår anvisningerne om det jordforbundne produkt, skal du tale med en autoriseret elektriker.

Brug kun jordede udendørs forlængerledninger med jordstik og jordede stikkontakter, der passer til produktets strømstik.

Dette produkt har et jordet strømkabel og et strømstik. Slut altid produktet til en jordet stikkontakt. Det formindsker risikoen for elektrisk stød, hvis der opstår en fejl.

Brug ikke elektriske adaptere sammen med produktet.

Personligt beskyttelsesudstyr



ADVARSEL: Læs følgende advarselsinstruktioner, inden du bruger produktet.

- Brug godkendt personligt beskyttelsesudstyr, når du betjener produktet. Personligt beskyttelsesudstyr udelukker ikke fuldstændigt risikoen for personskader, men det mindsker graden af skaderne i tilfælde af, at der skulle ske en ulykke. Lad forhandleren hjælpe dig med at vælge det rigtige personlige beskyttelsesudstyr.
- Kontrollér regelmæssigt tilstanden af det personlige beskyttelsesudstyr.
- Brug en godkendt beskyttelseshjelm.
- Brug godkendt høreværn.
- Brug godkendt åndedrætsværn.
- Brug godkendt øjenværn med sidebeskyttelse. Der er en stor risiko for øjenskader fra genstande, der slynges ud.
- Bær altid beskyttelseshandsker.
- Anvend støvler med stålsnude og skridsikre såler.
- Brug godkendt arbejdstøj eller tilsvarende tætsiddende tøj med lange ærmer og lange ben.

Brandslukker

- Hav en brandslukker i nærheden under arbejdet.
- Brug en pulverslukker af "ABE"-klassen eller en CO₂-slukker af "BE"-typen.

Sikkerhedsanordninger på produktet

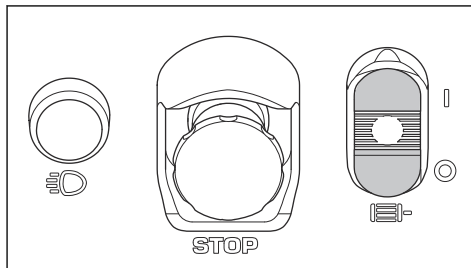


ADVARSEL: Læs følgende advarselsinstruktioner, inden du bruger produktet.

- Brug ikke et produkt med defekte sikkerhedsanordninger.
- Kontrollér sikkerhedsanordningerne regelmæssigt. Hvis sikkerhedsanordningerne er defekte, skal du henvende dig til dit Husqvarna-serviceværksted.

ON-knap og OFF-knap

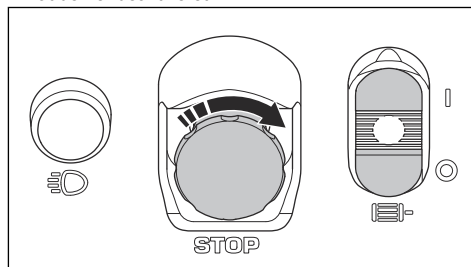
ON/OFF-kontakten skal bruges til at starte og standse motoren.



For at udføre en kontrol af ON-knappen og OFF-knappen

Bemærk: Hvis produktet ikke starter, se *Produktet starter ikke på side 54*.

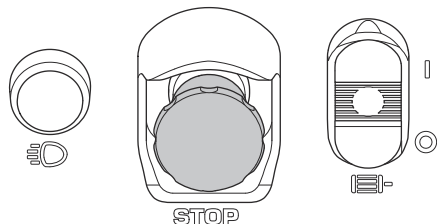
1. Kobl produktet fra strømuttaget.
2. Sørg for, at skæreklingen rører jorden ganske let.
3. Sørg for, at skæreklingen og klingeflansen er forsvarligt fastgjort, og at klingebeskyttelsen er korrekt monteret. Se *Sådan installeres en skæreklinge på side 42* og *Sådan installeres klingeskærmen på side 44*.
4. Tilslut produktet med en forlængerledning til stikkontakten.
5. Drej nødstopknappen (STOP) med uret for at sikre, at den er deaktiveret.



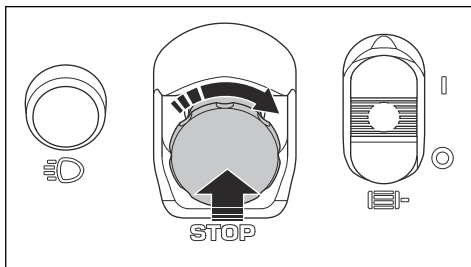
6. Tryk på knappen ON/OFF til I for at starte produktet.
7. Vent i 5 sekunder for at lade produktet opnå korrekt omdrejningstal.
8. Tryk på knappen ON/OFF til 0 for at sikre, at motoren standser.

Maskinstopknop

Maskinstopknappen (STOP) bruges til hurtigt at standse motoren. Maskinstopknappen stopper ikke lygterne.



- Tryk på maskinstopknappen, og sørg for, at motoren standser.



- Drej maskinstopknappen med uret for at deaktivere den.

Bemærk: Brug ikke maskinstopknappen til at standse produktet, medmindre der er tale om en nødsituation. For den korrekte fremgangsmåde til standsning af produktet under brug, se *Sådan standses produktet på side 49*.

Klingeskærm



ADVARSEL: Brug ikke produktet uden klingeskærm eller med defekt klingeskærm. Sørg for, at klingeskærmen er installeret korrekt og fastspændt, før du starter produktet.

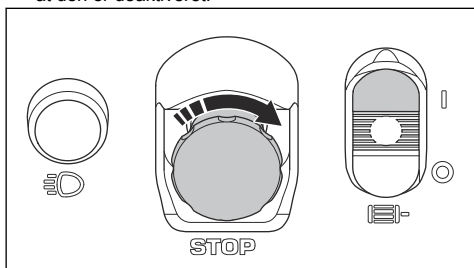
Sådan kontrollerer du maskinstopknappen

- Kobl produktet fra strømudtaget.
- Sørg for, at skæreklingen rører jorden ganske let.
- Sørg for, at skæreklingen og klingeflansen er forsvarligt fastgjort, og at klingebeskyttelsen er korrekt monteret. Se *Sådan installeres en skæreklinge på side 42* og *Sådan installeres klingeskærmen på side 44*.
- Sæt produktets strømstik i en stikkontakt.
- Drej nødstopknappen (STOP) med uret for at sikre, at den er deaktiveret.

Klingeskærmen forhindrer, at dele af klingens eller det materiale, der skæres, kastes på operatøren.

Sådan kontrolleres klingeskærmen

- Sørg for, at klingeskærmen er installeret korrekt. Se *Sådan installeres klingeskærmen på side 44*.
- Efterse klingeskærmen for skader, f.eks. revner.
- Udskift klingeskærmen, hvis den er beskadiget.
- Udskift klingeskærmen, hvis den er bøjet, beskadiget eller har defekter.



Drivremafdækning



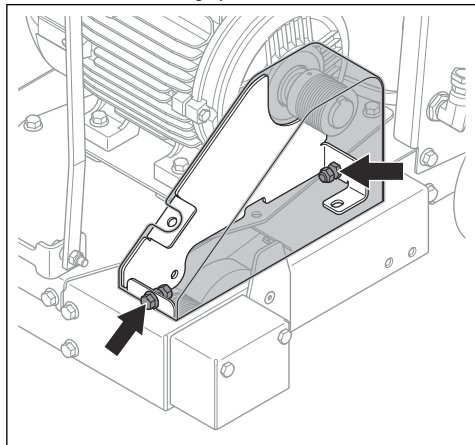
ADVARSEL: Brug ikke produktet uden en drivremafdækning eller med defekt drivremafdækning. Sørg for, at drivremafdækningen er installeret korrekt og fastspændt, før du starter produktet.

Drivremafdækningen giver beskyttelse mod remskiverne og drivremmen.

Sådan foretager du en kontrol af drivremafdækningen

- Sørg for, at drivremafdækningerne ikke er beskadiget eller har revner. Udskift drivremafdækningen, hvis det er nødvendigt.

- Sørg for, at de 2 skruer på drivremafdækningen er installeret korrekt og spændt.



Sikkerhedsinstruktioner for vedligeholdelse

- Hold alle dele i god stand, og sørg for, at alle fastspændte genstande er spændt korrekt.
- Brug ikke et produkt, hvis det er defekt. Gennemfør sikkerhedskontrol, vedligeholdelse og service som beskrevet i denne brugsanvisning. Al anden service skal udføres af et godkendt serviceværksted.
- Stop motoren, og frakobl strømstikket, når du udskifter diamantværktøjet.
- Udfør kontrol og/eller vedligeholdelse med motoren standset og stikket trukket ud af stikkontakten.
- Foretag regelmæssig vedligeholdelse af produktet for at sikre, at det fungerer korrekt. Se *Vedligeholdelsesskema på side 52*.

Drift

Indledning



ADVARSEL: Læs og forstå kapitlet om sikkerhed, før du bruger produktet.

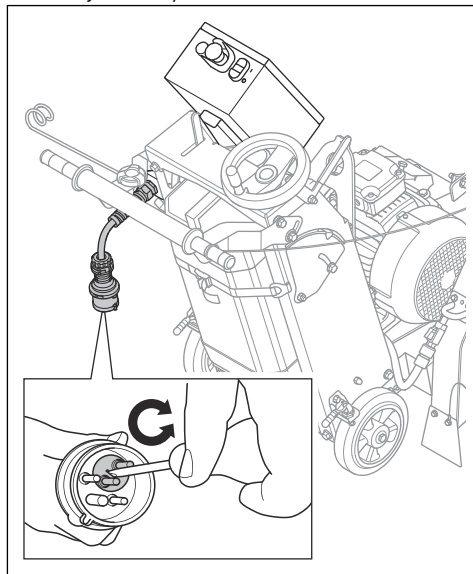
Det skal du gøre, inden du betjener produktet



BEMÆRK: Brug ikke en forlængerledning, der er længere end maks. 25 m og mindre end min. 2.5 mm².

- Læs brugsanvisningen omhyggeligt igennem, og sørg for at have forstået instruktionerne.
- Læs de instruktioner fra skæreklingeproducenten, der fulgte med skæreklingen.
- Udfør disse trin før hver betjening af produktet:
 - a) Foretag daglig vedligeholdelse. Se *Vedligeholdelsesskema på side 52*.
 - b) Markér alle snit. Forbered driftssekvensen omhyggeligt for at undgå personskade og beskadigelse.
 - c) Sørg for, at skæreklingen og klingskærmen er monteret korrekt. Se *Sådan installeres en skæreklinge på side 42* og *Sådan installeres klingskærmen, på side 44*.
 - d) Juster produktet til en ønsket driftsposition. Se *Sådan justeres styrets højde på side 42*.
 - e) Fyld vandtanken, eller slut maskinen til en vandforsyning. Se *Sådan fyldes vandtanken på side 47* og *Tilslut vandforsyningen på side 48*.

- f) Sørg for, at vandslangen i klingskærmen er åben. Hver side af skæreklingen skal have tilstrækkelig forsyning af vand.
- g) Sørg for, at pilen flugter med skæreklingen. Se *Sådan flugtes pilen med skæreklingen på side 46*.
- h) Sæt produktets strømstik i en forlængerledning og derefter i stikkontakten.
- i) I nogle tilfælde skal du vende faserne om. Se *Fejllindikator på side 55*.



- j) Drej maskinstopknappen med uret for at sikre, at maskinstopknappen er deaktiveret.

Skæreklinger



ADVARSEL: Brug ikke en skæreklinge til andre materialer end dem, den er fremstillet til.



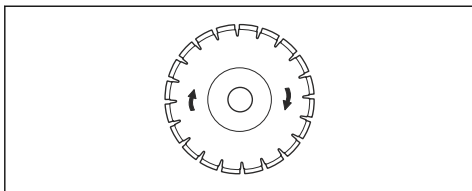
ADVARSEL: Brug kun diamantklinger til vådskæring. Diamantklingen skal gælde for samme hastighed eller en højere hastighed end værdien, der fremgår af produktets typeskilt. Brug kun diamantklinger, der overholder nationale eller regionale standarder, f.eks. EN 13236 eller ANSI B7.1.

Producenten af skæreklingen udsender advarsler og anbefalinger for brug og korrekt vedligeholdelse af skæreklingen. Disse advarsler følger med skæreklingen ved levering.

Diamantklinger



ADVARSEL: Sørg for, at rotationsretningen for diamantklingen, der er vist på diamantklingen, flugter med den rotationsretning, der er vist på produktet.



BEMÆRK: Anvend altid en skarp diamantklinge.

Der fås et bredt udvalg af diamantklinger, der bruges til forskellige anvendelser. Fra nystøbt beton til beton og asfalt, der er blevet hårdt, og til forskellige hårdhedsgrader.

Diamantklinger har en stålkerne med segmenter, der er fremstillet af industridiamanter.

Vandkølesystem

Brug altid vand under betjening for at holde temperaturen på diamantklingerne nede. Vandkølesystemet øger også diamantklingernes levetid og forhindrer ophobning af støv.

Sørg for, at vandforsyningen ikke er tilstoppet.

Diamantklinger til vådskæring



ADVARSEL: Brug altid en flangeklingedimension, der er specificeret for den aktuelle klingedimension. Brug ikke flangeskiver, der er beskadiget.

Under drift får friktionen diamantklingen til at blive meget varm. Hvis diamantklingen bliver for varm, vil det mindske skivespændingen eller gøre forårsage revner i kernen.

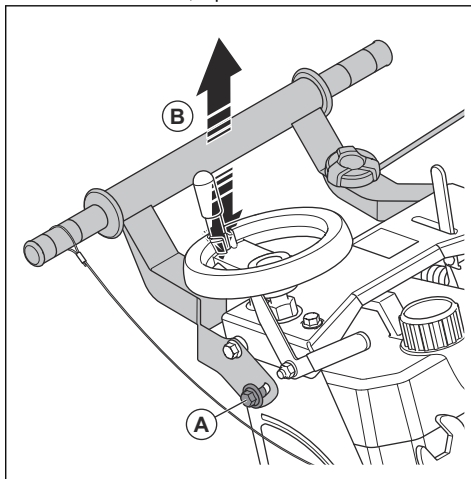
Lad diamantklingen køle af, inden du rører ved den.

- Diamantklinger til vådskæring skal bruges med vand for at holde diamantklingens kerne og segmenter kolde under skæring. Diamantklinger til vådskæring må ikke anvendes til tørskæring.
- Hvis du bruger diamantklinger til vådskæring uden vand, kan diamantklingen blive for varm. Det giver en dårlig ydeevne, forårsager beskadigelse af klingerne og udgør en sikkerhedsrisiko.

Sådan justeres styrets højde

Højden på håndtaget kan justeres til den korrekte højde.

1. Afmonter skruerne, 2 på hver side af køleren.



2. Indstil positionen for den nødvendige arbejdshøjde (B).
3. Spænd skruerne (A).

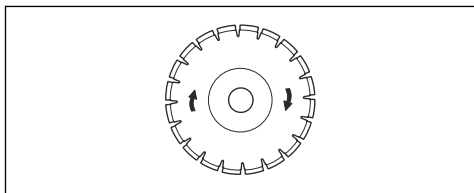
Sådan installeres en skæreklinge

Skæreklingen kan installeres på højre og venstre side af produktet.



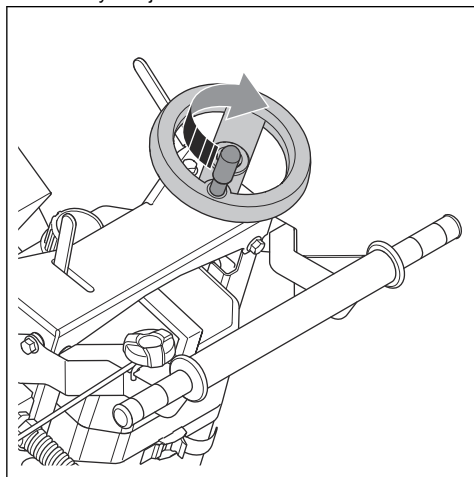
BEMÆRK: Der er risiko for skader på skæreklingen, hvis den installeres i modsat rotationsretning. Sørg for, at skæreklingen

roterer i den retning, som pilene på skæreklingen viser.



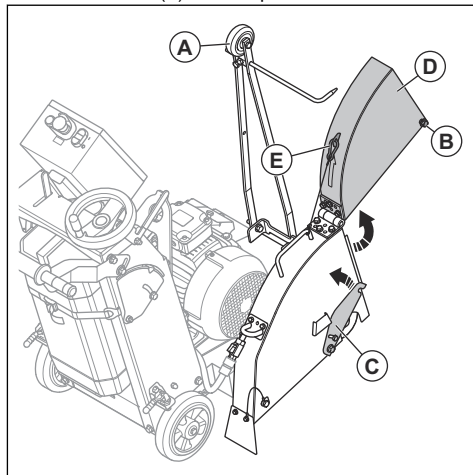
Bemærk: Håndtaget til skæredybdehjulet skal altid være låst, når skæredybdehjulet ikke er i brug.

1. Stands motoren, og frakobl produktet fra stikkontakten.
2. Drej skæredybdehjulet med uret for at hæve skæreklingen. Skub håndtaget for at låse skæredybdehjulet.

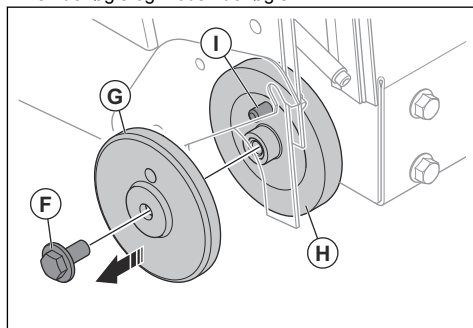


3. Klingskærmen skal installeres på samme side af produktet som skæreklingen. Hvis klingskærmen ikke er installeret på den korrekte side, se *Sådan installeres klingskærmen, på side 44.*

4. Løft markøren (A) til lodret position.



5. Løsn den forreste bolt (B) på klingskærmen, og løft klingskærmlåsen (C).
6. Løft frontklingskærmen (D).
7. Lås klingskærmen i lodret position med wiren og karabinhagen (E).
8. Fjern klingskraven (F) med den medfølgende skruenøgle og modskruenøgle.



Bemærk: Klingskraven på højre side af produktet har venstregevind. Klingskraven på venstre side af produktet har højregevind.

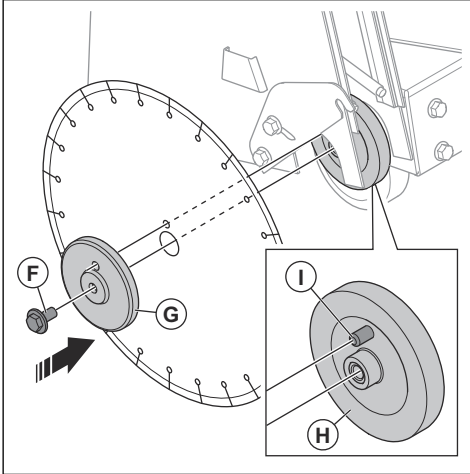
9. Fjern klingeflanzen (G).



ADVARSEL: Beskadede eller snavsede dele kan forhindre korrekt installering af skæreklingen. Undersøg klingskraven (F), klingeflanzen (G), den indvendige flange (H) og låsestiften (I) for skader. Udskift slidte eller beskadede dele. Rengør kontaktfaderne på skæreklingen og

flangerne. Rengør gevindene på klingskruen og den indvendige flange.

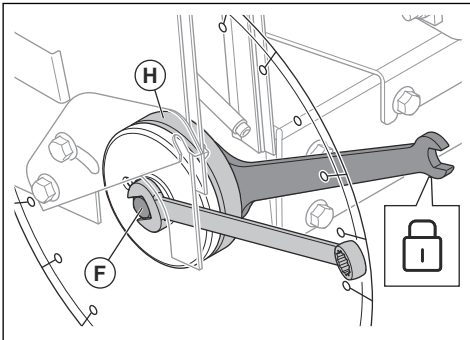
10. Installer skæreklingen på den indvendige flange (H).



11. Installer klingeflangen (G) og klingskruen (F). Sørg for, at låsestiften (I) på den indvendige flange går gennem skæreklingen og ind i klingeflangen (G).

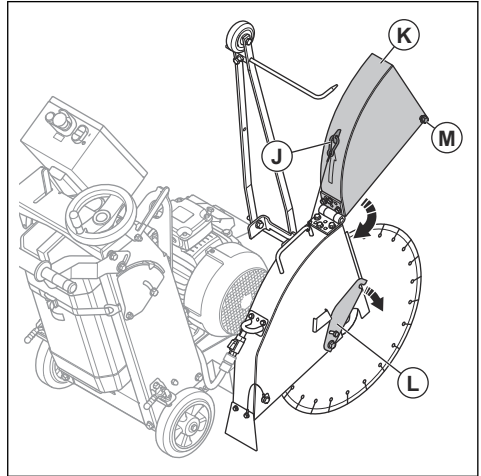
12. Hold og skub skæreklingen i modsat rotationsretning. Spænd samtidig klingskruen (F) med den medfølgende skrueøgle.

13. Lås den indvendige flange (H) med den medfølgende skrueøgle, og spænd klingskruen (F) med den anden medfølgende skrueøgle.



14. Tilspænd klingskruen (F) til 100 Nm.

15. Lås klingskærmen op fra karabinhagen (J), og sænk klingskærmens front (K).



16. Sæt klingskærmlåsen (L) på den forreste bolt på klingskærmen. Spænd den forreste bolt (M) på klingskærmen.



BEMÆRK: Betjen ikke produktet, uden at klingskærmen er sænket, og klingskærmlåsen er aktiveret. Brug ikke produktet, hvis delene er beskadigede

17. Sørg for, at klingskruen på den modsatte side af produktet er spændt.

18. Start produktet. Se *Sådan startes produktet på side 49*.

19. Lyt efter usædvanlige lyde. Hvis der er usædvanlige lyde, skal du fjerne skæreklingen.

- Efterse skæreklingen for skader.
- Installer skæreklingen igen. Udskift skæreklingen, hvis den er beskadiget.

Sådan afmonteres skæreklingen



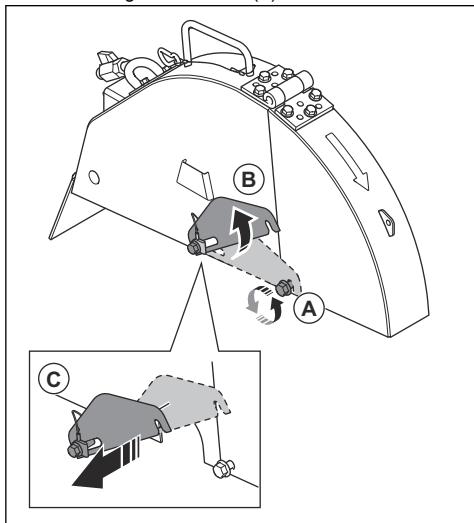
ADVARSEL: Når du fjerner diamantklingerne, skal du lade produktet køle af og bruge beskyttelseshandsker. Diamantklinger er meget varme efter brug.

- Afmonter skæreklingen i modsat rækkefølge af, hvordan den blev monteret. Se *Sådan installeres en skæreklinge på side 42*.

Sådan installeres klingskærmen.

Klingskærmen skal installeres på samme side af produktet som skæreklingen. Hvis det er nødvendigt, skal du flytte klingskærmlåsen til den korrekte side af klingskærmen.

1. Hvis klingskærmlåsen ikke er installeret på den korrekte side af klingskærmen, skal du gøre følgende.
 - a) Løsn de 2 skruer på flangedækslet, og fjern flangedækslet.
 - b) Løsn den forreste bolt (A) på klingskærmen, og løft klingskærmlåsen (B).

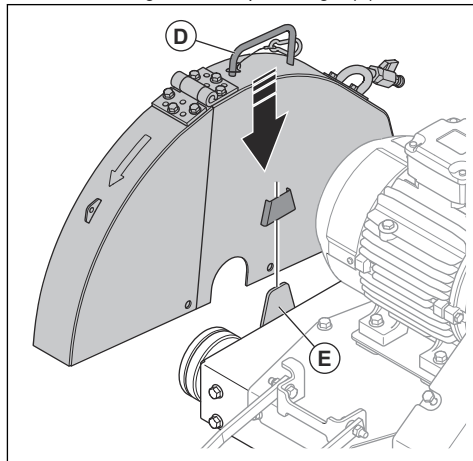


- c) Fjern den bageste bolt og klingskærmlåsen (C).
2. Flyt klingskærmlåsen til den modsatte side af klingskærmen. Udfør følgende procedure.
 - a) Installer klingskærmlåsen, og spænd den bageste bolt.
 - b) Anbring klingskærmlåsen på klingskærmens forreste bolt. Spænd den forreste bolt (A).

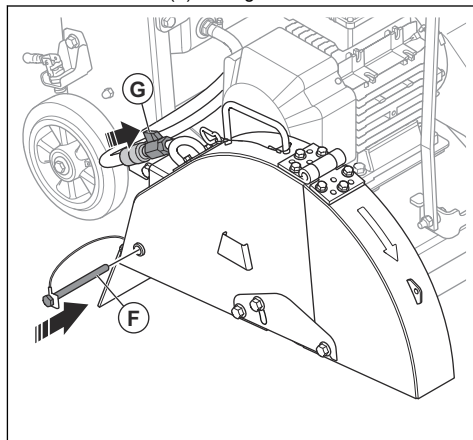


BEMÆRK: Betjen ikke produktet, uden at klingskærmlåsen er aktiveret. Brug ikke produktet, hvis delene er beskadigede.

3. Brug håndtaget (D) til at løfte klingskærmen og installere klingskærmen på beslaget (E).

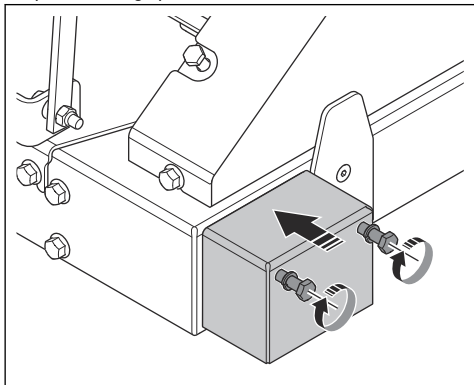


4. Installer skruen (F) til klingskærmen.



5. Tilslut vandslangen (G).

6. Installer flangedækslet på den modsatte side af produktet, og spænd de 2 skruer.



Sådan afmonteres klingebeskyttelsen

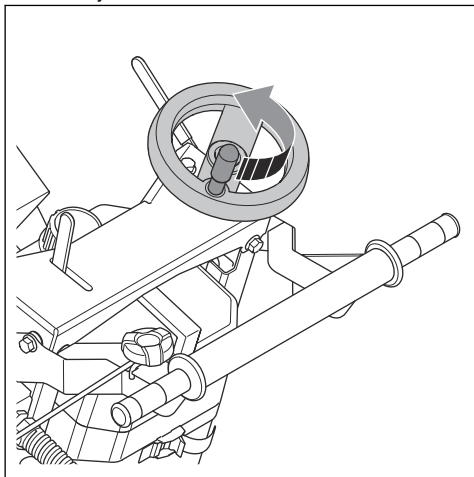
1. Stop motoren. Se *Sådan standses produktet på side 49.*
2. Afmonter skæreklingen i modsat rækkefølge af, hvordan den blev monteret. Se *Sådan installeres klingeskærmen, på side 44.*

Sådan indstilles indikatoren for skæredybde

Indikatoren skal kalibreres, før du anvender produktet.

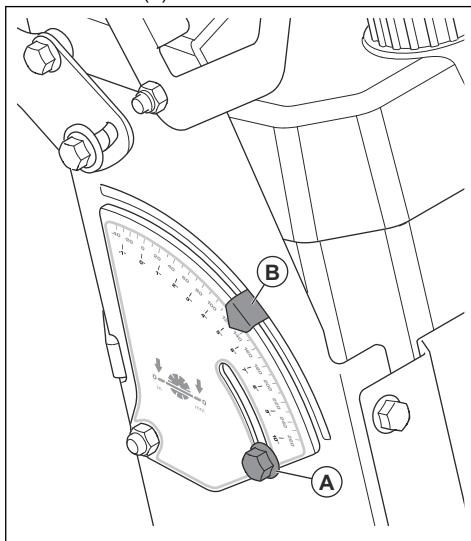
Bemærk: Håndtaget til skæredybdehjulet skal altid være låst, når skæredybdehjulet ikke er i brug.

1. Drej skæredybdehjulet, indtil skæreklingen rører jorden ganske let. Sænk håndtaget, der låser skæredybden.



BEMÆRK: Du må ikke sænke skæreklingen for hurtigt. Hvis klingens rammer overfladen med voldsom kraft, kan det medføre beskadigelse af klingens.

2. Løsn skruen (A).



3. Drej indikatorpladen, indtil positionen "0" er i midten af pilen (B).
4. Spænd skruen (A).



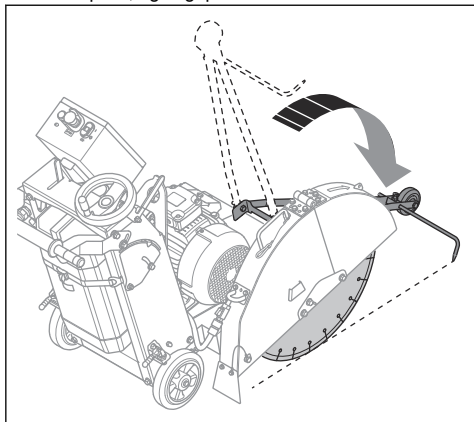
BEMÆRK: Kontrollér altid, at skæredybden er korrekt. Skæredybdestoppet hjælper dig med at opnå den korrekte skæredybde, men giver kun en indikation af dybdeværdien.

Sådan flugtes pilen med skæreklingen

Bemærk: Pilen skal flugtes skæreklingen.

1. Anbring den indvendige flange langs en linje.

2. Sænk pilen, og flugt produktet med mærkerne.



3. Flugt pilen med linjen.
4. Juster om nødvendigt pilen, indtil den flugter med linjen.

Grundlæggende arbejdsteknik

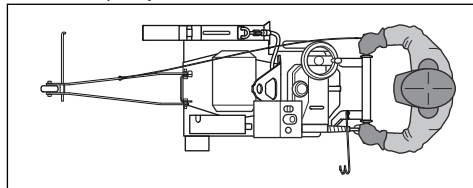


ADVARSEL: Klingeakslen roterer, når motoren starter.

- Sørg for, at du altid kan trykke på maskinstopknappen under drift.
- Sørg for, at der ikke er efterladt værktøjer eller andre genstande på produktet.
- Løft aldrig produktet, når motoren er startet.
- Sørg for, at klingskærmen er korrekt monteret, før du starter produktet. Du må ikke skære uden monteret klingskærm.
- Lav linjemærker for alle snit, før du starter handlingen. Sørg for, at der ikke er risiko for operatøren eller produktet.
- Du må ikke vende, dreje eller flytte produktet fra side til side, mens skæreklingen roterer.
- Sørg for, at der altid er 1 anden person i nærheden, når du bruger produktet. Hvis der sker et uheld, kan du få hjælp fra denne person.
- Du må ikke gå væk fra produktet, hvis parkeringsbremsen ikke er aktiveret.

Sådan anvendes den korrekte arbejdsteknik

- Hold afstand til klingebanen, når motoren er tændt. Brugers position er bag produktet med begge hænder på styret.



- Undersøg skæreklingen regelmæssigt for revner og knækkede dele i løbet af arbejdsdagen. Brug ikke en beskadiget skæreklinge.



ADVARSEL: Stop motoren, og frakobl strømstikket, før du undersøger skæreklingen.

- Undgå at slibe med siden af skæreklingen. Skæreklingen kan gå i stykker og forårsage skader på brugeren eller andre personer. Brug kun skærekanten.
- Undgå at bøje eller sno skæreklingen i snittet.
- Sørg for, at klingens bevægelse er frit og ikke sætter sig fast i snittet.

Vandforsyning

Skæreklingen skal have tilstrækkelig forsyning af vand under drift. Brug vand fra vandtanken på produktet eller fra en ekstern vandslange. Se *Sådan fyldes vandtanken på side 47* og *Tilslut vandforsyningen på side 48*.

Sådan fyldes vandtanken

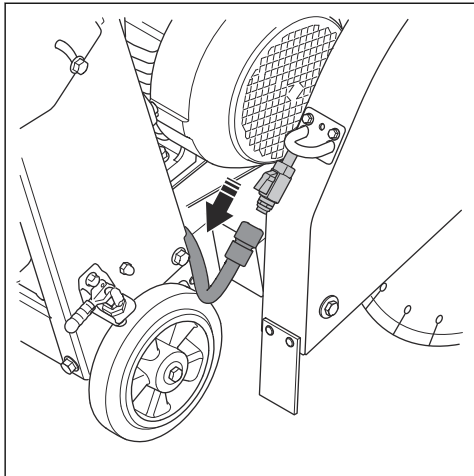


ADVARSEL: Hæld kun vand i tanken. Hæld ikke anden væske i vandtanken.

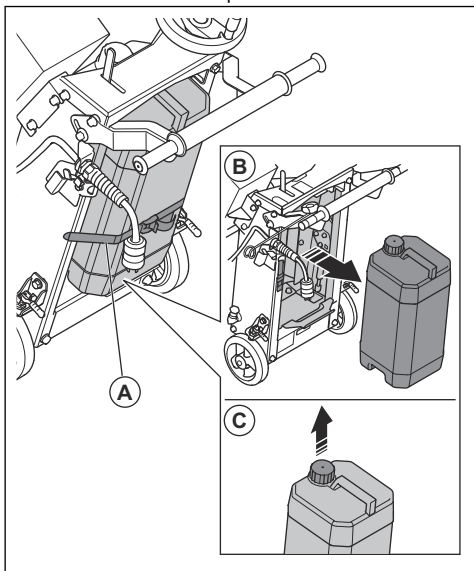


ADVARSEL: Sørg for, at skæreklingen er lidt over jorden, når du drejer vandhanen for at justere vandet.

1. Luk vandhanen, og frakobl vandslangen.

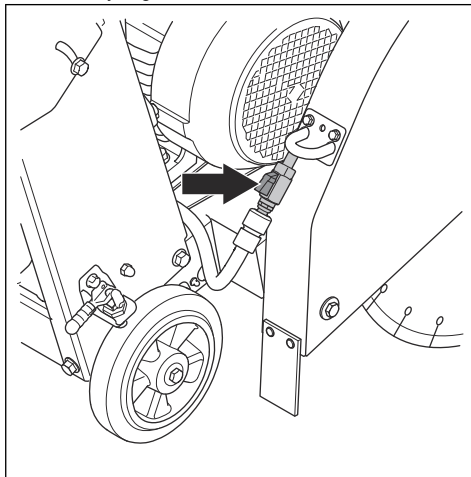


2. Fjern vandtankens strop (A) og vandtanken (B).
Spild ikke vand på produktet. Flyt vandtanken væk til en sikker afstand fra produktet.



3. Fjern låget på vandtanken (C), og fyld vandtanken med vand.
4. Installer vandtankens låg.
5. Installer vandtanken.
6. Installer vandtankens strop, og tilslut vandslangen.

7. Drej vandhanen på klingskærmen for at justere vandforsyningen.

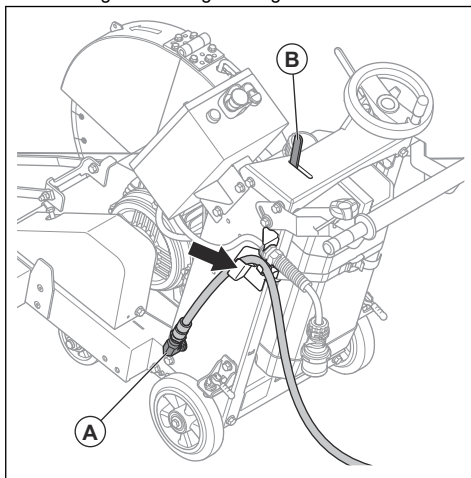


Tilslut vandforsyningen

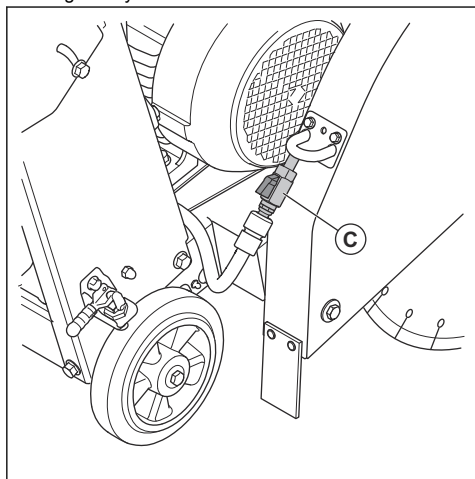


ADVARSEL: Sørg for, at skæreklingen er lidt over jorden, når du drejer vandhanen for at justere vandet.

1. Slut vandslangen til vandforsyningen (A). Sæt den udvendige vandslange i slangeholderen.



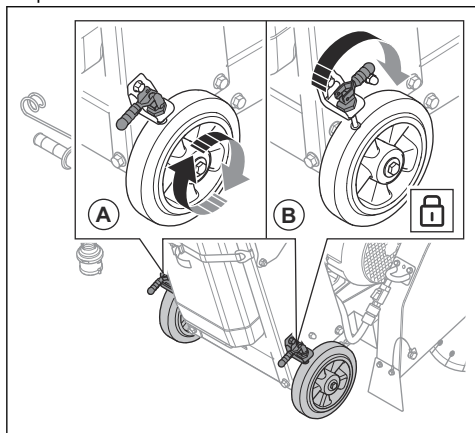
- For at starte eller stoppe vandet skal du trykke på vandventilen (B) eller dreje vandhanen (C) på klingebeskyttelsen.



- For at justere vandforsyningen skal du trykke på vandventilen eller dreje vandhanen på klingebeskyttelsen.

Sådan aktiverer og deaktiverer du parkeringsbremsen

- Deaktiver parkeringsbremsen (A) for at flytte produktet.



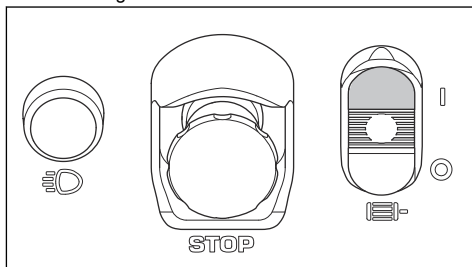
- Aktivér parkeringsbremsen (B) for at holde produktet på plads.

Sådan startes produktet



ADVARSEL: Sørg for, at skæreklingen rører jorden ganske let.

- Tryk på knappen ON/OFF for at starte produktet. På mindre end 5 sekunder kører produktet i korrekt driftshastighed.



Sådan standses driften

Bemærk: Håndtaget til skæredybdehjulet skal altid være låst, når skæredybdehjulet ikke er i brug.

- Træk i håndtaget for at låse op for skæredybdehjulet.
- Drej skæredybdehjulet, indtil skæreklingen rører jorden ganske let.
- Sænk håndtaget, der låser skæredybden.
- Drej vandhanen, eller tryk på vandventilen for at stoppe vandforsyningen. Se *Tilslut vandforsyningen på side 48*.

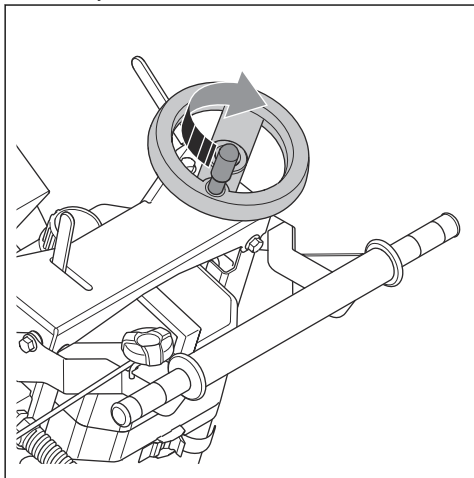
Sådan standses produktet



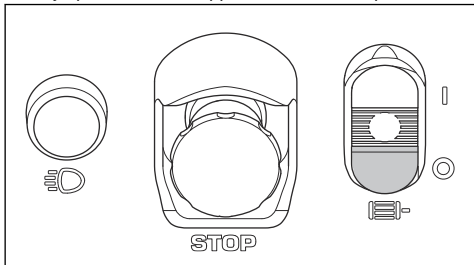
ADVARSEL: Skæreklingen roterer i et stykke tid, efter at motoren er standset.

Bemærk: Håndtaget til skæredybdehjulet skal altid være låst, når skæredybdehjulet ikke er i brug.

1. Drej skæredybdehjulet med uret for at sænke skæreklingen. Sænk håndtaget, der låser skæredybden.



2. Tryk på ON/OFF-knappen for at standse produktet.



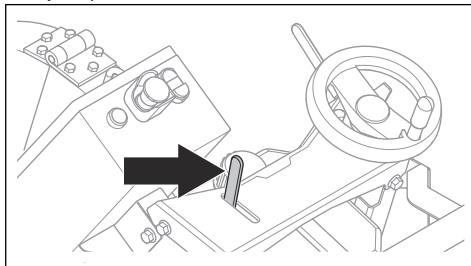
3. Aktivér parkeringsbremsen.
4. Frakobl stikket.

Sådan skæres overfladen

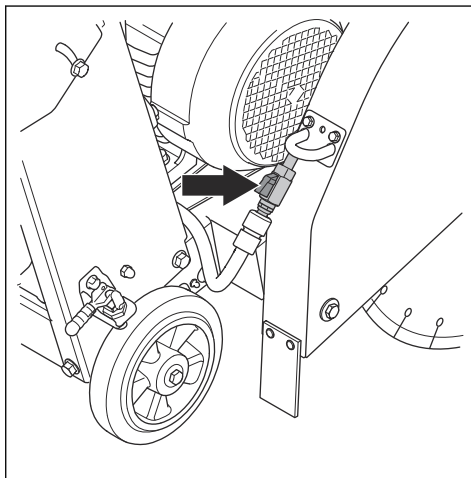
Bemærk: Håndtaget til skæredybdehjulet skal altid være låst, når skæredybdehjulet ikke er i brug.

1. Ret skæreklingen ind efter mærkerne på jorden eller styresnittet.

2. Hvis der anvendes en ekstern vandslange, skal du trykke på vandventilen for at lade vandet til eller fra.

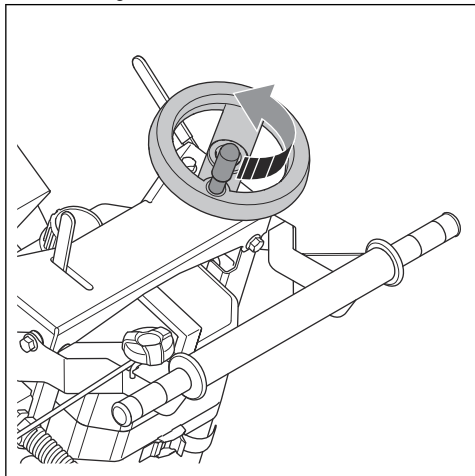


3. Drej vandhanen (B) for at tænde eller slukke for vandet.

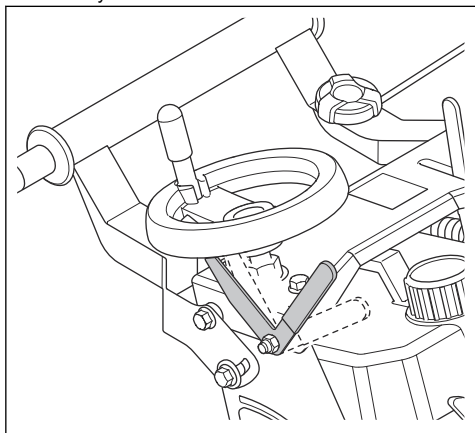


4. Udfør en kontrol af vandgennemstrømningen. Juster vandgennemstrømningen om nødvendigt.
5. Start motoren. Se *Sådan startes produktet på side 49*.

6. Drej skæredybdehjulet med uret for at sænke skæreklingen.



7. Lav en skæring som guide, ca. 20-30 mm.
8. Lav yderligere skæringer a 50 mm, indtil du når den nødvendige dybde. Sænk håndtaget, der låser skæredybden.



9. Anvend altid vand ved betjening af produktet. Hver side af skæreklingen skal have tilstrækkelig vandtilførsel til at køle skæreklingen af. Vandet forhindrer også ophobning af støv.
10. Skær kun i én linje, flugt skæreklingen med guidemærkerne.

11. Skub langsomt produktet fremad, og sørg for, at frontstyresystemet og skæreklingen flugter mærkerne.



BEMÆRK: Flyt ikke produktet fra side til side for at flugte skæreklingen med mærkerne.

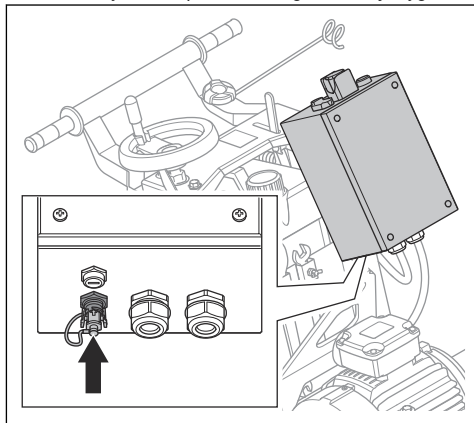
Til betjening af lyssættet

Lyssættet er tilbehør. Brug kun 24 V stikket til arbejdslygten i Husqvarna godkendte lyssæt.

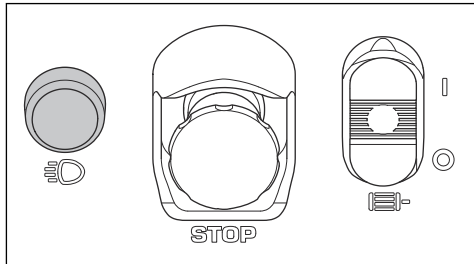


ADVARSEL: Se ikke ind i strålen.

1. Installer lyssættet på 24 V udtaget til arbejdslygten.



2. Tryk på lyskontakten for at tænde lyssættet.



3. Tryk på lyskontakten igen for at slukke lyssættet.

Vedligeholdelse

Indledning



ADVARSEL: Læs og forstå sikkerhedskapitlet, før du udfører vedligeholdelse på produktet.

Alt service- og reparationsarbejde på produktet kræver specialuddannelse. Vi garanterer, at du kan få professionelt udførte reparationer og service. Hvis forhandleren ikke er et serviceværksted, kan vedkommende oplyse om nærmeste serviceværksted.

For bestilling af reservedele skal du kontakte din Husqvarna forhandler eller dit serviceværksted.

Det skal du gøre før vedligeholdelse

- Parkér produktet på en plan overflade, og stands motoren. Tryk på maskinstopknappen på betjeningspanelet for at undgå utilsigtet start under vedligeholdelse.

Vedligeholdelsesskema

Vedligeholdelse	Hver dag	Månedligt
Rengør de udvendige overflader på produktet med vand. Se <i>Sådan rengøres produktet på side 52.</i>	X	
Foretag et generelt eftersyn. Se <i>Sådan udføres et generelt eftersyn på side 53.</i>	X	
Udfør en kontrol af drivremmen. Sådan justeres tilspændingen af drivremmen. Se <i>Sådan justeres tilspændingen af drivremmen på side 53.</i>	X	
Kontrollér maskinstopkontakten. Se <i>Sådan kontrollerer du maskinstopknappen på side 40.</i>	X	
Udfør en kontrol af ON-knappen og OFF-knappen. Se <i>For at udføre en kontrol af ON-knappen og OFF-knappen på side 39.</i>	X	
Udfør en kontrol af vandgennemstrømningen. Hvis vandgennemstrømningen ikke er tilstrækkelig, skal du kontrollere vandfilteret. Hvis det er nødvendigt, skal du rengøre det primære filter. Se <i>Rengøring af luftfilteret på side 53.</i>	X	
Kontrollér klingskærmene. Se <i>Sådan kontrolleres klingskærmen på side 40.</i>	X	
Kontroller skæreskiven. Se <i>Skæreklinger på side 42.</i>	X	
Smør alle smørepunkter på håndtaget til skæredybjusteringen (B). Se <i>Sådan smøres produktet på side 54.</i>	X	
Smør møtrikken ved drivremspladen og akslen. Se <i>Sådan smøres produktet på side 54.</i>		X

Sådan rengøres produktet



ADVARSEL: Bær beskyttelsesbriller. Når du rengør produktet, kan snavs og skadeligt materiale falde ud fra produktet.



BEMÆRK: Et tilstoppet luftindtag reducerer produktets ydeevne og kan medføre, at motoren bliver for varm.

- Lad produktet køle af, før du rengør det.

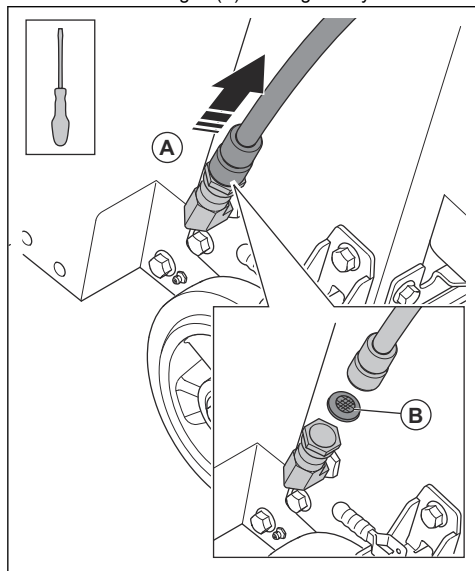
- Elektriske komponenter må aldrig rengøres med vand.
- Brug et mildt rengøringsmiddel. Tag beskyttelseshandsker på for at forhindre hudirritation.
- Rengør altid alt udstyr i slutningen af arbejdsdagen. Brug ikke en højtryksrenser til at rengøre produktet.
- Fjern blokeringer fra alle til luftåbninger.

Rengøring af luftfilteret



BEMÆRK: Et tilstoppet vandfilter reducerer vandgennemstrømningen til skæreklingen og kan medføre, at skæreklingen bliver for varm.

1. Frakobl vandslangen (A) fra klingebeskyttelsen.



2. Afmonter det indvendige dæksel med en flad skruetrækker.
3. Udfør en kontrol af vandforsyningen. Hvis det er nødvendigt, skal du rengøre det primære filter.
4. Montér vandfilteret, og tilslut den eksterne slange.

Sådan udføres et generelt eftersyn

- Sørg for, at møtrikker og skruer på produktet er spændt.
- Sørg for, at ledningerne på produktet ikke er placeret på en måde, så de kan blive beskadiget.
- Efterse de elektriske dele for skader. Betjen ikke et produkt, som har beskadigede elektriske dele.
- Undersøg vandslangerne for lækager. Betjen ikke et produkt, som har beskadigede elektriske dele.

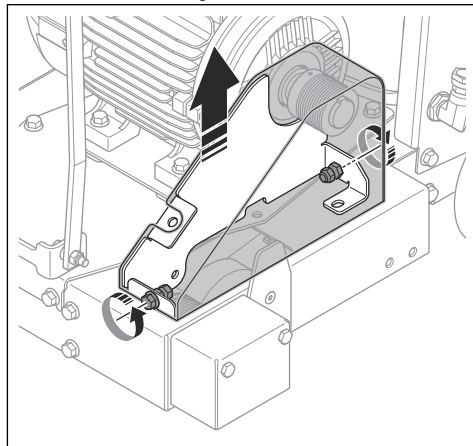
Sådan justeres tilspændingen af drivremmen



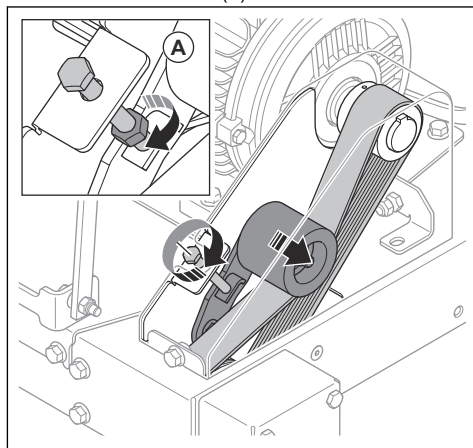
BEMÆRK: Sørg for, at drivremmen ikke er beskadiget.

Tilspændingen af en ny drivrem skal justeres efter 2 timer.

1. Løsn de 2 skruer, og afmonter luftfilterdækslet.



2. Løsn låsemøtrikkerne (A).



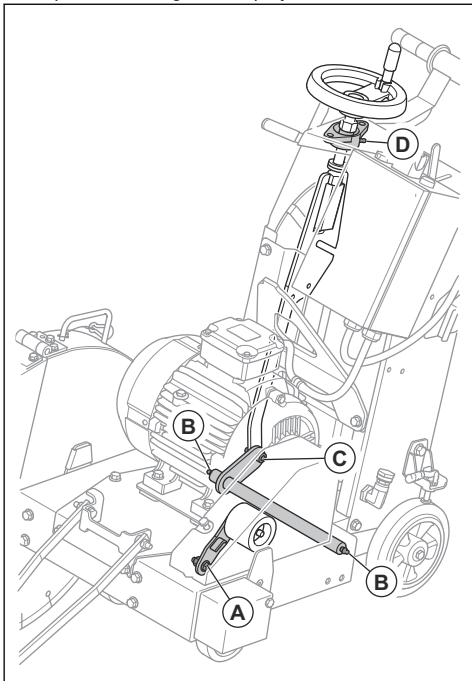
3. Drej strammeskruen for at justere remskivens tryk mod drivremmen. Drivremmens spænding er korrekt, når drivremmens frekvens er inden for det interval, der er angivet i *Tekniske data på side 56*.
4. Spænd låsemøtrikkerne.
5. Monter drivremafdækningen og skruerne.

Sådan smøres produktet

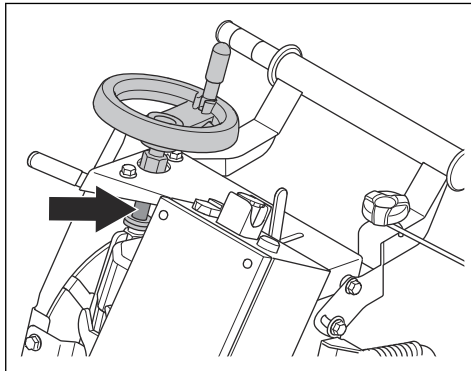
Bemærk: Håndtaget til skæredybdehjulet skal altid være låst, når skæredybdehjulet ikke er i brug.

Smør komponenter, der nævnes nedenfor. De skal smøres, indtil fedtet kan ses i kanterne. For korrekt fedt, se *Tekniske data på side 56*.

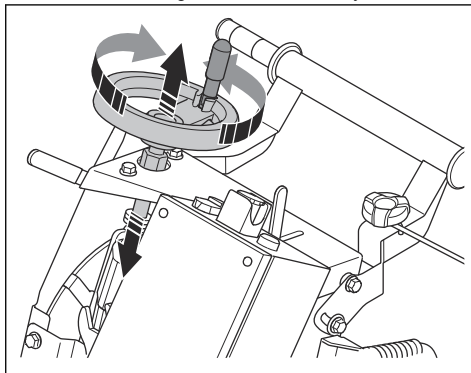
1. Slut fedtsprøjten til smøreniplerne.
2. Smør bøsningen (A) på drivremspladen med en børste.
3. Løsn de nederste håndtag på venstre og højre side af produktet. Brug en fedtsprøjte.



4. Smør akslen (C) med en børste.
5. Smør alle smørepunkter på håndtaget til skæredybdejusteringen (B). Brug en fedtsprøjte.
 - a) Smør over og under møtrikken.



- b) Drej skæredybdehjulet med uret og mod uret flere gange, og smør ligeligt på begge sider. Sænk håndtaget, der låser skæredybden.



Fejlfinding

Produktet starter ikke

- Sørg for, at elforsyningen og ledningerne ikke er beskadigede.
- Efterse maskinstopknappen, drej knappen med uret for at udløse den.
- Efterse fejl indikatoren. Se *Fejlindikator på side 55*.

Produktet standser pludseligt.

- Hvis arbejdsbelastningen er for tung for produktet, aktiveres overbelastningsbeskyttelsen, og den standser motoren. Se *Fejlindikator på side 55*.

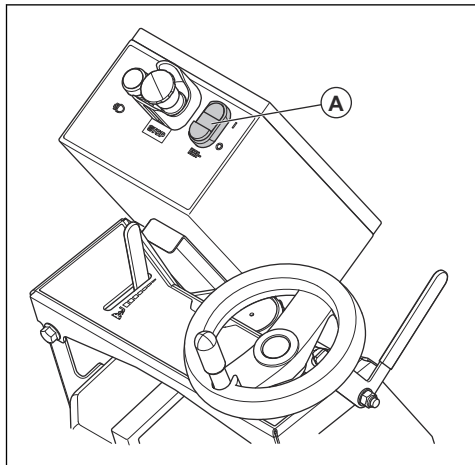
Produktet stopper under opstart

En korrekt spændingsforsyning er nødvendig for at sikre en god motorydelse. For lange eller for svage forlængerledninger nedsætter motorens effekt under drift.

- Hvis arbejdsbelastningen er for tung for produktet, aktiveres overbelastningsbeskyttelsen, og den standser motoren. Se *Fejlindikator på side 55*.
- Sørg for, at forlængerledningerne ikke er for lange eller for svage. Prøv at starte produktet igen.
- Kontrollér, at skæreklingen kan rotere frit.

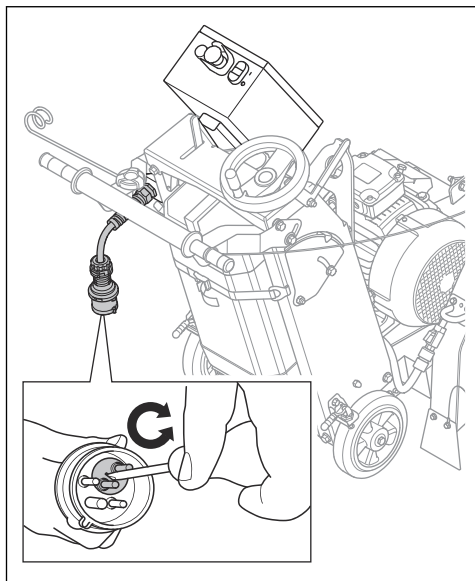
- Hvis produktet bliver ved med at standse under opstart, skal du tale med et godkendt serviceværksted.

Fejlindikator



Fejlindikatoren tændes i disse situationer:

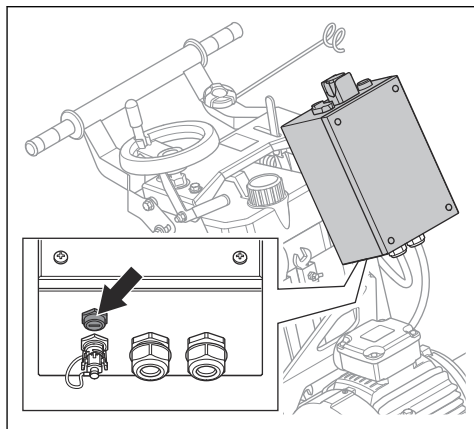
- Motoren er blevet overbelastet. Motoren standser.
- Der er en fasefejl. Det er nødvendigt at justere strømstikket.



Lad motorbeskyttelsen køle af, og fejlindikatoren slukkes, før du starter motoren igen. Du skal vente i ca. 60 sekunder.

Arbejdslygten starter ikke

- Undersøg sikringen til arbejdslygten. Hvis sikringen er sprunget, skal den udskiftes med en korrekt sikring. Se *Tekniske data på side 56*.



Transport, opbevaring og bortskaffelse

Transport

- Afmonter skæreklingen før transport af produktet.
- Dette produkt er tungt. Vær forsigtig, når du løfter produktet, risiko for personskader. Se *Sådan løftes produktet på side 56*.
- Overhold særlige krav til kommerciel transport.
- Fastspænd produktet under transporten. Sørg for, at det ikke kan rykke sig.

Sådan løftes produktet



ADVARSEL: Sørg for, at løfteudstyret har den korrekte dimension. Typeskiltet på produktet viser produktets vægt.



ADVARSEL: Sørg for, at løfteøjet ikke er beskadiget.



ADVARSEL: Gå eller stå ikke under eller nær et løftet produkt.

- Brug korrekt løfteudstyr til at løfte produktet. Løft ikke produktet manuelt.
- Brug løfteøjet, der er fastgjort til produktet, når du løfter det.

- Anvend støvler med stålsnude og skridsikre såler.

Opbevaring af produktet

- Opbevar produktet i et aflåst område utilgængeligt for børn eller personer, som ikke er godkendt.
- Opbevar altid produktet indendørs.
- Opbevar produktet på et tørt og frostfrit sted.
- Afmonter skæreklingen fra produktet efter drift. Når du sætter skæreklingen til opbevaring, skal den være tør.
- Anbring produktet på en plan overflade.

Bortskaffelse

Symbolerne på produktet eller emballagen angiver, at produktet ikke må behandles som almindeligt husholdningsaffald. Det skal afleveres til en passende genbrugsstation med henblik på genvinding af elektrisk og elektronisk udstyr.

Hvis du sørger for, at dette produkt håndteres korrekt, kan du være med til at modvirke potentielle negative indvirkninger på mennesker og miljø, som ellers kan være et resultat af fejlagtig affaldshåndtering i forbindelse med dette produkt. Nærmere oplysninger om genanvendelse af dette produkt fås hos kommunen, det lokale renovationsselskab eller forretningen, hvor produktet er købt.

Tekniske data

Tekniske data

Motoreffekt, kW	7,5
Nominal spænding, VAC ved frekvens, Hz	3~400 VED 50 (CE) 3~415 VED 50 (AUS)
Nominal strøm, A	15
Strømstik	CEE, 3~, 16 A (CE) 56P420, 20 A, 500 V (AUS)
Maks. anbefalet diameter, mm	600
Maks. skæredybde, tommer/mm	240
Spindlens rotationshastighed (ved motoromdrejningstal 2925 o/min), o/min.	1765
Spindeldiameter, mm	25,4
Klingeformediameter, mm	116

Maks. anbefalet vandtryk, bar	6
Nominel vægt uden kasse, kg	178
Maksimal driftsvægt uden vandtank, kg	183
Maksimal driftsvægt med fuld vandtank, kg	214
Fedt	DIN 51825fedtklasse K2K-30 eller K3K-30
Korrekt remspænding, Hz	88-93
Udtag til arbejdslys, VDC	24
Sikring til arbejdslygte, A	4 (5 x 20 mm)
Tilspændingsmoment for knivskruer, Nm/ft lbs	100/74

Lydniveauer

Støj- og vibrationsemissioner	
Lydeffektniveau, L_{WA} (målt), dB(A)	105
Lydeffektniveau, L_{WA} (garanteret), dB(A) ⁴	107
Lydtryksniveau ved brugerens øre, dB (A) ⁵	83
Vibrationsniveauer a_{hv} , m/s^2 , højre håndtag/venstre håndtag ⁶	2,6/3,1

Erklæring om støj og vibrationer

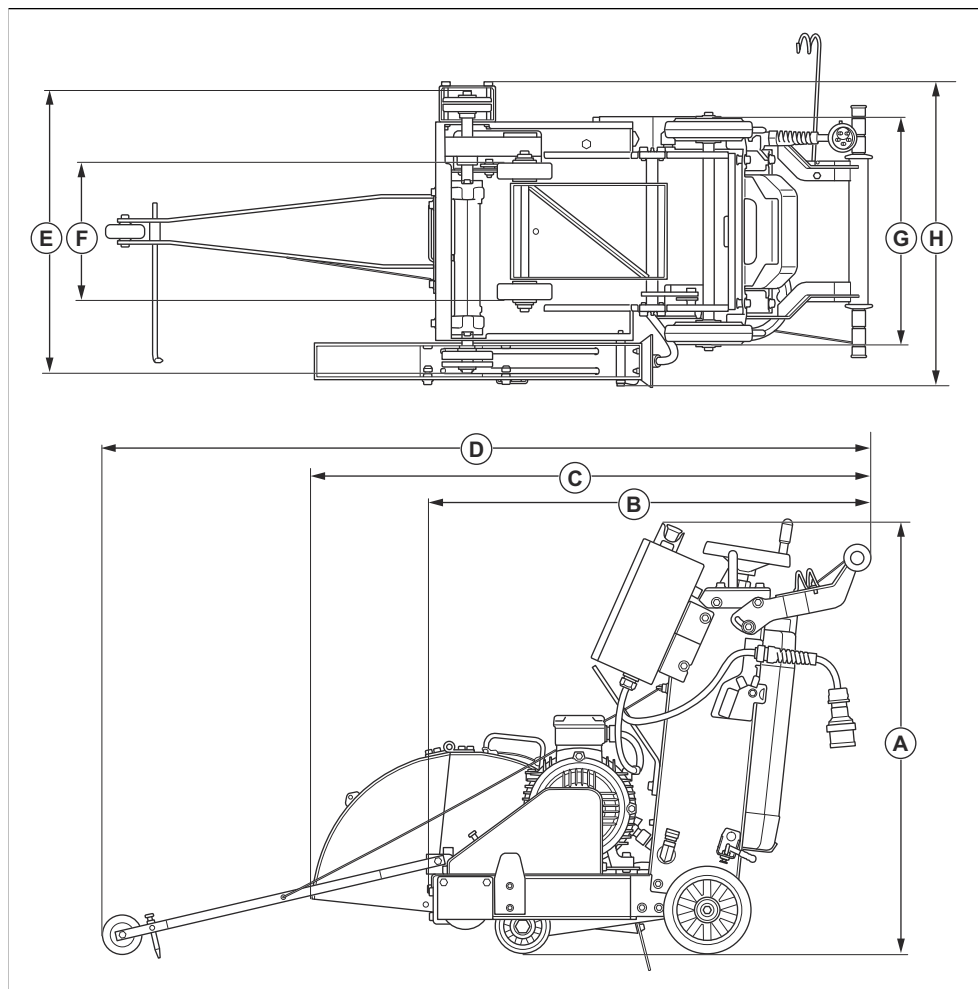
Disse deklarerede værdier er rekvireret efter laboratorietypetest i overensstemmelse med det angivne direktiv eller standarder og er velegnede til sammenligning med deklarerede værdier fra andre produkter testet i overensstemmelse med samme direktiv eller standarder. Disse deklarerede værdier er ikke egnet til brug i risikovurderinger, og værdier målt på arbejdspladser kan være højere. De faktiske eksponeringsværdier og risiko for skader, som den enkelte bruger oplever, er unikke og afhænger af den måde brugeren arbejder på, i hvilket materiale produktet benyttes såvel som af eksponeringstiden, brugerens fysiske tilstand samt produktets tilstand.

⁴ Støjemissioner til omgivelserne målt som lydeffekt (L_{WA}) i henhold til EF-direktiv 2000/14/EF. Forskellen mellem garanteret og målt lydeffekt er, at den garanterede lydeffekt også omfatter spredning i måleresultatet og variationerne mellem forskellige maskiner af samme model i henhold til direktivet 2000/14/EF.

⁵ Lydtryksniveau iht. EN 13862. Rapporterede data for lydtryksniveau har en typisk statistisk spredning (standardafvigelse) på 2,5 dB (A).

⁶ Vibrationsniveau iht. EN 13862. Rapporterede data for vibrationsniveau har en typisk statistisk spredning (standardafvigelse) på 1 m/s^2 .

Produktmål



A	Højde, mm	985	E	Min. bredde (klingebeskyttelse ikke monteret), mm	645
B	Min. længde (viser opad og klingebeskyttelse eller skæreklinge er ikke monteret), mm	1010	F	Forhjulsbredde, mm	320
C	Længde (viser op og klingebeskyttelse er monteret), mm	1275 mm	G	Baghjulsbredde, mm	520

D	Maks. længde (pil ned), mm	1750	T	Maks. bredde (klingebeskyttelse er monteret), mm	700
----------	----------------------------	------	----------	--	-----

Tilbehør

Godkendt Husqvarna tilbehør

- Lyssæt.
- Vandtank

Overensstemmelseserklæring

EU-overensstemmelseserklæring

Undertegnede, Husqvarna AB, SE561 82 Huskvarna, Sverige, Tlf +46- 36-146500 erklærer under eneansvar, at det pågældende produkt:

Beskrivelse	Gulvsav
Varemærke	HUSQVARNA
Type/model	FS 600 E
Identifikation	Serienumrene fra 2021 og fremefter

overholder følgende EU-direktiver og bestemmelser:

Direktiv/bestemmelser	Beskrivelse
2006/42/EC	"vedrørende maskiner"
2014/30/EU	"vedrørende elektromagnetisk kompatibilitet"
2000/14/EC	"vedrørende udendørs støj"
2011/65/EU	"vedrørende begrænsning af farlige stoffer"

og at følgende standarder og/eller tekniske specifikationer anvendes;

EN ISO 12100:2010

EN 13862:2001+A1:2009

EN 55014-1:2021

EN 61000-6-2:2019

EN 61000-3-2:2019+A1:2021

EN 61000-3-3:2013+A1:2019

EN IEC 63000:2018

Procedure for overensstemmelsesvurdering iflg. S.I. 14/1701: Bilag V.

Se *Tekniske data på side 56* vedr. oplysninger om støjemission.

Partille, 2021-12-08

Erik Silfverberg

R&D Director, Concrete Sawing & Drilling Equipment

Husqvarna AB, Construction Division

Ansvarlig for teknisk dokumentation



Inhalt

Einleitung.....	61	Transport, Lagerung und Entsorgung.....	86
Sicherheit.....	65	Technische Angaben.....	87
Betrieb.....	71	Zubehör.....	90
Wartung.....	82	Konformitätserklärung.....	91
Fehlerbehebung.....	85		

Einleitung

Gerätebeschreibung

Das Gerät ist ein elektrischer, handgeführter Fugenschneider.

Verwendungszweck

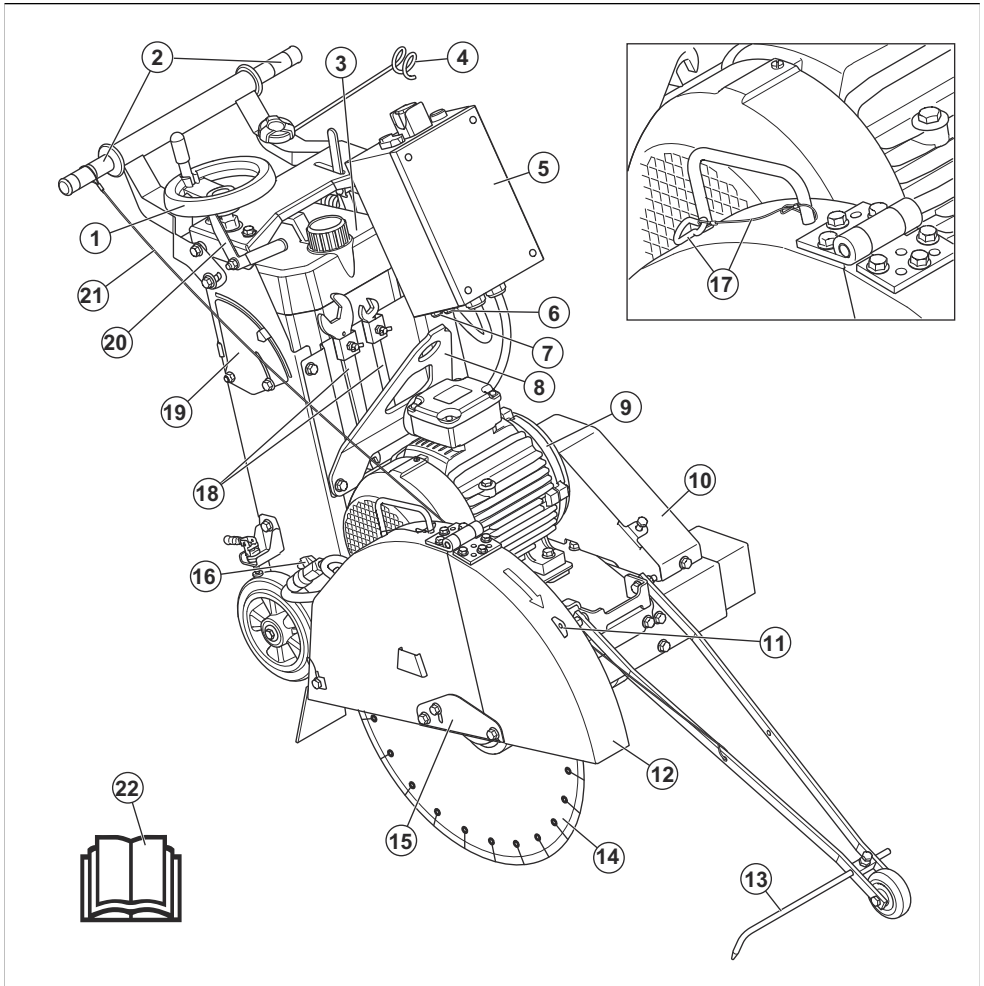
Das Gerät wird mit Diamantscheiben zum Nassschneiden harter Bodenmaterialien eingesetzt,

beispielsweise für Beton, Asphalt und Stein. Jede andere Verwendung ist nicht korrekt.

Das Gerät wird von erfahrenen Bedienern im Industriebetrieb eingesetzt.

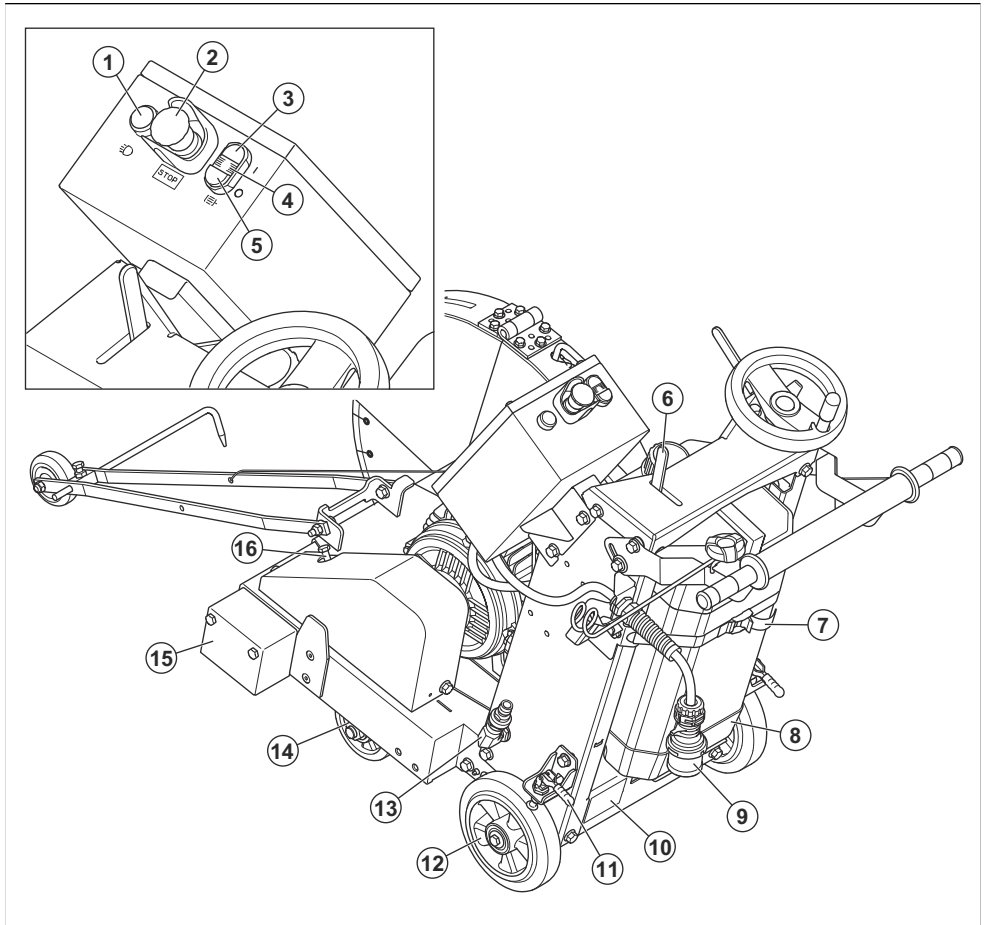
Verwenden Sie das Gerät nicht im Freien oder in nasser Umgebung; dieses Gerät ist ausschließlich für den Gebrauch in Innenräumen bestimmt.

Geräteübersicht, rechte Seite



- | | |
|--|--|
| 1. Schnitthiefeneinstellrad | 12. Trennscheibenschutz |
| 2. Griff | 13. Leitrad |
| 3. Wassertank und Deckel (optional) | 14. Trennscheibe (nicht enthalten) |
| 4. Kabel- und Schlauchführung | 15. Verriegelung des Trennscheibenschutzes |
| 5. Schaltkasten | 16. Wasserhahn |
| 6. Sicherung für den Arbeitsscheinwerfer | 17. Seil und Karabiner |
| 7. Steckdose für den Arbeitsscheinwerfer | 18. Wartungswerkzeuge |
| 8. Hebeöse | 19. Schnitthiefenanzeige |
| 9. Motor | 20. Hebel zur Arretierung der Schnitthiefe |
| 10. Antriebsriemenabdeckung | 21. Leitradseil |
| 11. Halterung für den Karabiner | 22. Bedienungsanleitung |

Geräteübersicht, linke Seite



1. Lichtschalter für Arbeitsscheinwerfer (Beleuchtungssatz optional)
2. Maschinen-Stopptaste
3. ON-Taste
4. Fehleranzeige
5. OFF-Taste
6. Wasserventil
7. Wassertankgurt
8. Wassertank (optional)
9. Netzstecker
10. Typenschild
11. Handbremse
12. Hinterrad
13. Wassereingang und Wasserfilter
14. Vorderrad

15. Flanschabdeckung
16. Spannschraube, Antriebsriemen

Symbole auf dem Gerät



WARNUNG: Dieses Gerät kann gefährlich sein und schwere oder tödliche Verletzungen des Bediener oder anderer Personen verursachen. Gehen Sie vorsichtig vor, und verwenden Sie das Gerät ordnungsgemäß.



Lesen Sie die Bedienungsanleitung sorgfältig durch, und machen Sie sich mit den Anweisungen vertraut, bevor Sie das Gerät benutzen.



Gefahr durch Schnittverletzungen. Halten Sie alle Körperteile stets von der Trennscheibe fern.



Halten Sie alle Körperteile von der Scheibe und allen anderen beweglichen Teilen fern.



Vergewissern Sie sich, dass die Trennscheibe nicht stumpf ist und keine Beschädigungen, z. B. Risse, aufweist.



Der Trennscheibenschutz muss immer am Gerät montiert sein. Es sollten nicht mehr als 180 ° der Trennscheibe sichtbar sein.



Stellen Sie sicher, dass die Trennscheibe für die am Gerät festgelegte Drehzahl bzw. eine höhere Drehzahl anwendbar ist. Eine Trennscheibe, die mit zu hoher Geschwindigkeit betrieben wird, kann brechen oder schwere Schäden oder Verletzungen verursachen.



WARNUNG: Der Staub kann zu gesundheitlichen Problemen führen. Tragen Sie einen zugelassenen Atemschutz. Sorgen Sie immer für eine gute Luftzirkulation.



WARNUNG: Blicken Sie nicht in den Strahl. Diese Warnung gilt nur, wenn der Beleuchtungssatz installiert ist.



Tragen Sie Gehörschutz, Augenschutz und Atemschutz. Siehe *Persönliche Schutzausrüstung auf Seite 68*.



Es besteht die Gefahr von elektrischen Schlägen: Kontrollen und/oder Wartungsarbeiten sind bei abgeschaltetem Motor und abgezogenem Stecker durchzuführen.



Jegliche Umplatzierung der Maschine außerhalb des Schneidbereichs muss ausgeführt werden, wenn sich das Werkzeug nicht in Rotation befindet.



Entfernen Sie die Trennscheibe, bevor Sie das Gerät transportieren, anheben, aufsetzen oder entfernen.



Der Pfeil auf dem Trennscheibenschutz zeigt an, in welcher Richtung sich die Trennscheibe dreht.



Feststellbremsen anziehen/lösen.



Den Tank nur mit Wasser befüllen.



Ventil für die Wasserkühlsysteme der Trennscheibe.



Heben-/Senken-Steuerung zur Einstellung der Schnitttiefe.



Heben Sie das Gerät immer am Hebebereich an.



Schutzerde.



ON-Taste.



OFF-Taste.



Maschinen-Stopptaste.



Lichtschalter für Arbeitsscheinwerfer.



ON/OFF-Taste des Motors, Fehleranzeige.



Geräuschemissionen an die Umwelt gemäß EU- und UK-Richtlinien und -Vorschriften. Der garantierte Schallleistungspegel des Geräts ist unter *Schallpegel auf Seite 88, Konformitätserklärung auf Seite 91* und auf dem Etikett angegeben.



Es besteht die Gefahr von elektrischen Schlägen. Dieses Gerät darf nur von autorisiertem Personal gewartet werden.



Dieses Gerät entspricht den geltenden EG-Richtlinien.



Dieses Gerät entspricht den geltenden UK-Richtlinien.



Das Gerät und die Verpackung des Geräts dürfen nicht über den Hausmüll entsorgt werden. Recyceln Sie es an einer offiziellen Recyclingstation für elektrische und elektronische Geräte.

1. Hersteller
2. Herstelleradresse
3. Scanbarer QR-Code
4. Typenbezeichnung
5. Artikelnummer
6. Seriennummer
7. Gerätegewicht, kg
8. Herstellungsdatum, Jahr/Monat
9. Spannung: dreiphasiger Wechselstrom, V
10. Frequenz, Hz
11. Nennstrom, A
12. Motorleistung, kW
13. Maximaler Trennscheibendurchmesser, mm
14. Maximale Spindeldrehzahl, n/min
15. Zusätzliche Informationen

Produkthaftung

Im Sinne der Produkthaftungsgesetze übernehmen wir keine Haftung für Schäden, die unser Gerät verursacht, wenn...

- das Gerät nicht ordnungsgemäß repariert wird.
- das Gerät mit Teilen repariert wird, die nicht vom Hersteller stammen oder nicht vom Hersteller zugelassen sind.
- ein Zubehörteil mit dem Gerät verwendet wird, das nicht vom Hersteller stammt oder nicht vom Hersteller zugelassen ist.
- das Gerät nicht bei einem zugelassenen Service Center oder von einem zugelassenen Fachmann repariert wird.

Typenschild

1		2	
4	ARTICLE NO.	5	Husqvarna AB, S-561 82, Huskarvna, Sweden Made in China
		6	3
SERIAL NO. (HID)			
7	9	12	
8	11	14	13
15			

Sicherheit

Sicherheitsdefinitionen

Warnungen, Vorsichtsmaßnahmen und Hinweise werden verwendet, um auf besonders wichtige Teile der Bedienungsanleitung hinzuweisen.



WARNUNG: Wird verwendet, wenn bei Nichtbeachtung der Anweisungen in diesem Handbuch die Gefahr von Verletzung oder Tod des Bedieners oder anderer Personen besteht.



ACHTUNG: Wird verwendet, wenn bei Nichtbeachtung der Anweisungen in diesem Handbuch die Gefahr von Schäden am Gerät, an anderen Materialien oder in der Umgebung besteht.

Hinweis: Für weitere Informationen, die in bestimmten Situationen nötig sind.

Allgemeine Sicherheitshinweise für Elektrowerkzeuge



WARNUNG: Lesen Sie alle für dieses Elektrowerkzeug vorgesehenen Sicherheitshinweise, Anleitungen, Abbildungen und technischen Daten. Wenn Sie die unten stehenden Anweisungen nicht befolgen, kann dies zu elektrischen Schlägen, Brand und/oder schweren Verletzungen führen.

Bewahren Sie alle Warnhinweise und Anweisungen für spätere Referenzzwecke auf. Der Begriff „Elektrowerkzeug“ in den Warnhinweisen bezieht sich

auf ein Elektrowerkzeug mit Netzbetrieb (über ein Kabel) oder mit Akkubetrieb (kabellos).

Typenschild des Geräts übereinstimmt. Siehe *Typenschild auf Seite 65.*

Sicherheit im Arbeitsbereich

- **Sorgen Sie für einen sauberen und gut ausgeleuchteten Arbeitsbereich.** Durch zugestellte oder dunkle Arbeitsbereiche steigt die Unfallgefahr stark an.
- **Betreiben Sie Elektrowerkzeuge niemals an Orten, an denen Explosionsgefahr besteht, z. B. in der Nähe von leicht entzündlichen Flüssigkeiten, Gasen oder Staubansammlungen.** Bei der Arbeit mit Elektrowerkzeugen kann es zu Funkenbildung kommen, wodurch sich Staub oder Dämpfe entzünden können.
- **Sorgen Sie bei der Arbeit mit Elektrowerkzeugen dafür, dass sich keine Kinder oder unbefugte Personen in der Nähe befinden.** Durch Ablenkungen können Sie die Kontrolle über das Werkzeug verlieren.

Elektrische Sicherheit

- **Die Netzstecker von Elektrowerkzeugen müssen zur Steckdose passen. Der Netzstecker darf in keiner Weise verändert werden. Verwenden Sie keine Adapterstecker.** Nicht modifizierte Stecker und passende Steckdosen reduzieren das Risiko eines Stromschlags.
- **Vermeiden Sie Körperkontakt mit geerdeten Gegenständen wie Rohrleitungen, Heizungen, Herden oder Kühlschränken.** Bei Körperkontakt mit geerdeten Gegenständen besteht ein erhöhtes Stromschlagrisiko.
- **Setzen Sie Elektrowerkzeuge niemals Regen oder sonstiger Feuchtigkeit aus.** Wenn Wasser in ein Elektrowerkzeug eindringt, erhöht sich das Stromschlagrisiko.
- **Verwenden Sie das Anschlusskabel nicht missbräuchlich. Verwenden Sie das Anschlusskabel niemals zum Tragen oder Heranziehen des Elektrowerkzeugs, und ziehen Sie den Stecker nicht am Anschlusskabel aus der Steckdose. Halten Sie das Kabel fern von Hitzequellen, Öl, scharfen Kanten und beweglichen Teilen.** Beschädigte oder verdrehte Anschlusskabel erhöhen das Stromschlagrisiko.
- **Wenn Sie ein Elektrowerkzeug benutzen, verwenden Sie ein für den Außeneinsatz geeignetes Verlängerungskabel.** Die Verwendung eines für den Außeneinsatz geeigneten Kabels verringert das Risiko eines elektrischen Schlags.
- **Benutzen Sie bei Einsatz eines Elektrowerkzeugs immer eine Stromversorgung mit FI-Schutzschalter (RCD).** Die Verwendung einer Fehlerstrom-Schutzeinrichtung (RCD) verringert das Risiko eines elektrischen Schlags.
- **Kontrollieren Sie, das die Steckdose mit dem entsprechenden Spannungswert auf dem**

Persönliche Sicherheit

- **Bleiben Sie aufmerksam, achten Sie auf das, was Sie tun, und setzen Sie gesunden Menschenverstand ein, wenn Sie mit Elektrowerkzeugen arbeiten. Benutzen Sie keine Elektrowerkzeuge, wenn Sie müde sind oder unter dem Einfluss von Drogen, Alkohol oder Medikamenten stehen.** Bei der Arbeit mit Elektrowerkzeugen können bereits kurze Phasen der Unaufmerksamkeit zu schweren Verletzungen führen.
- **Tragen Sie eine persönliche Schutzausrüstung. Tragen Sie stets einen Augenschutz.** Schutzausrüstung wie Atemschutzmaske, rutschsichere Sicherheitsschuhe, Schutzhelm und Gehörschutz senkt bei angemessenem Einsatz das Verletzungsrisiko.
- **Vermeiden Sie ein versehentliches Starten. Achten Sie darauf, dass sich der Schalter in der AUS-Stellung befindet, bevor Sie das Elektrowerkzeug an die Stromversorgung und/oder den Akku anschließen oder es hochheben oder herumtragen.** Durch Herumtragen von Elektrowerkzeugen mit dem Finger am Schalter und das Einstecken des Steckers bei betätigtem Schalter steigt das Unfallrisiko stark an.
- **Entfernen Sie sämtliche Einstellschlüssel, bevor Sie das Elektrowerkzeug einschalten.** Ein an einem beweglichen Teil des Elektrowerkzeugs angebrachter Schlüssel kann zu Verletzungen führen.
- **Sorgen Sie für einen festen Stand. Achten Sie jederzeit darauf, sicher zu stehen und das Gleichgewicht zu bewahren.** Dadurch haben Sie das Elektrowerkzeug in unerwarteten Situationen besser im Griff.
- **Kleiden Sie sich richtig. Tragen Sie niemals lose sitzende Kleidung oder Schmuck. Halten Sie Haar und Kleidung von beweglichen Teilen fern.** Lose sitzende Kleidung, Schmuck oder langes Haar kann von beweglichen Teilen erfasst werden.
- **Wenn Anschlüsse für Staubabsaug- und Staubsammelvorrichtungen vorhanden sind, sorgen Sie dafür, dass diese richtig angeschlossen und eingesetzt werden.** Die Verwendung von Staubsammelvorrichtungen vermindert durch Staub verursachte Gefahren.
- **Auch wenn Sie durch häufige Verwendung bestens mit den Werkzeugen vertraut sind, dürfen Sie keinesfalls nachlässig werden und die Sicherheitsgrundsätze ignorieren.** Eine achtlose Handlung kann im Bruchteil einer Sekunde zu schweren Verletzungen führen.

Verwendung und Pflege von Elektrowerkzeugen

- **Überbeanspruchen Sie Elektrowerkzeuge nicht. Benutzen Sie das richtige Elektrowerkzeug für Ihren Einsatzzweck.** Das richtige Elektrowerkzeug erledigt seine Arbeit bei bestimmungsgemäßem Einsatz besser und sicherer.
- **Benutzen Sie das Elektrowerkzeug nicht, wenn es sich nicht am Schalter ein- und ausschalten lässt.** Jedes Elektrowerkzeug, das nicht mit dem Schalter betätigt werden kann, stellt eine Gefahr dar und muss repariert werden.
- **Trennen Sie das Elektrowerkzeug von der Stromversorgung, bzw. entfernen Sie den Akku, bevor Sie Einstellungen vornehmen, Zubehörteile austauschen oder das Elektrowerkzeug verstauen.** Solche präventiven Sicherheitsmaßnahmen verhindern den unbeabsichtigten Start des Elektrowerkzeugs.
- **Lagern Sie nicht benutzte Elektrowerkzeuge außerhalb der Reichweite von Kindern, und lassen Sie nicht zu, dass Personen das Elektrowerkzeug bedienen, die nicht mit dem Werkzeug selbst und/oder diesen Anweisungen vertraut sind.** Elektrowerkzeuge stellen in ungeschulten Händen eine Gefahr dar.
- **Warten Sie Elektrowerkzeuge und Zubehör. Prüfen Sie auf Fehlausrichtungen, sicheren Halt und Leichtgängigkeit beweglicher Teile, Beschädigungen von Teilen sowie auf jegliche andere Zustände, die sich auf den Betrieb des Elektrowerkzeugs auswirken können. Bei Beschädigungen lassen Sie das Elektrowerkzeug reparieren, bevor Sie es benutzen.** Viele Unfälle mit Elektrowerkzeugen sind auf schlechte Wartung zurückzuführen.
- **Halten Sie Schneidwerkzeuge scharf und sauber.** Ordnungsgemäß gewartete Schneidwerkzeuge mit scharfen Schneidkanten bleiben seltener hängen und sind einfacher zu bedienen.
- **Benutzen Sie Elektrowerkzeuge, Zubehör, Werkzeugeinsätze und Ähnliches in Übereinstimmung mit diesen Anweisungen und auf die für das jeweilige Elektrowerkzeug bestimmungsgemäße Weise, und beachten Sie dabei die jeweiligen Arbeitsbedingungen und die Art der auszuführenden Arbeiten.** Der Einsatz eines Elektrowerkzeugs für Zwecke, die von den hier angegebenen abweichen, kann zu Gefahrensituationen führen.
- **Halten Sie die Handgriffe und Griffflächen trocken, sauber und frei von Öl und Fett.** Wenn Handgriffe und Griffflächen rutschig sind, kann das Werkzeug in unerwarteten Situationen nicht sicher bedient und kontrolliert werden.

Service

- **Lassen Sie das Elektrowerkzeug von einem qualifizierten Fachmann reparieren, und bestehen Sie darauf, dass nur Originalersatzteile verwendet**

werden. Auf diese Weise wird dafür gesorgt, dass die Sicherheit des Elektrowerkzeugs nicht beeinträchtigt wird.

Allgemeine Sicherheitshinweise



WARNUNG: Lesen Sie die folgenden Warnhinweise, bevor Sie das Gerät benutzen.

- Dieses Gerät ist ein gefährliches Werkzeug, wenn Sie nicht aufpassen oder es unsachgemäß verwenden. Dieses Gerät kann schwere oder tödliche Verletzungen des Bedieners oder anderer Personen verursachen. Es ist sehr wichtig, dass Sie vor der Anwendung des Geräts den Inhalt dieser Bedienungsanleitung gelesen und verstanden haben.
- Bewahren Sie alle Warn- und Sicherheitshinweise auf.
- Halten Sie alle geltenden Gesetze und Vorschriften ein.
- Der Bediener und dessen Arbeitgeber müssen die mit dem Betrieb des Geräts verbundenen Gefahren kennen und vermeiden.
- Untersagen Sie allen Personen die Benutzung des Geräts, bis diese den Inhalt der Bedienungsanleitung gelesen und verstanden haben.
- Verwenden Sie das Gerät nicht, ohne vorher dafür geschult worden zu sein. Stellen Sie sicher, dass alle Bediener Schulungen erhalten.
- Lassen Sie nicht zu, dass Kinder das Gerät verwenden.
- Es dürfen nur zugelassene Personen mit dem Gerät arbeiten.
- Der Bediener ist für Unfälle verantwortlich, die anderen Personen zustoßen oder an deren Eigentum entstehen.
- Verwenden Sie das Gerät nicht, wenn Sie müde oder krank sind oder unter Einfluss von Alkohol, Drogen oder Medikamenten stehen.
- Lassen Sie immer Vorsicht walten, und arbeiten Sie mit gesundem Menschenverstand.
- Dieses Gerät erzeugt beim Betrieb ein elektromagnetisches Feld. Dieses Feld kann sich unter bestimmten Bedingungen auf die Funktionsweise aktiver oder passiver medizinischer Implantate auswirken. Um die Gefahr von Situationen, die zu schweren oder tödlichen Verletzungen führen können, zu verringern, sollten Personen mit einem medizinischen Implantat vor der Nutzung dieses Gerätes mit ihrem Arzt und dem Hersteller des Implantats sprechen.
- Halten Sie das Gerät sauber. Stellen Sie sicher, dass Symbole und Aufkleber deutlich lesbar sind.
- Verwenden Sie das Gerät nicht, wenn es defekt ist.
- Nehmen Sie keine Modifikationen am Gerät vor.

- Bedienen Sie das Gerät nicht, wenn die Möglichkeit besteht, dass andere Personen Modifikationen daran durchgeführt haben.

Sicherheitshinweise für den Betrieb



WARNUNG: Lesen Sie die folgenden Warnhinweise, bevor Sie das Gerät verwenden.

- Lesen Sie die Warnhinweise, die vom Hersteller der Trennscheibe für deren Nutzung bereitgestellt werden.
- Schließen Sie das Gerät nur an ein Netzteil an, das durch eine geeignete Sicherung oder einen Schutzsicherer mit max. 30 A geschützt ist.
- Stellen Sie sicher, dass das Gerät korrekt zusammengebaut ist.
- Das Gerät nur mit korrekt installiertem und befestigtem Trennscheibenschutz und Schutzabdeckungen starten.
- Benutzen Sie das Gerät nicht, wenn die Verriegelung der Vorderseite des Trennscheibenschutzes angehoben ist. Die Vorderseite des Trennscheibenschutzes muss abgesenkt und korrekt verriegelt und befestigt sein.
- Die fehlerhafte Bedienung des Geräts kann dazu führen, dass die Trennscheibe bricht und Verletzungen sowie Schäden verursacht.
- Stellen Sie sicher, dass Sie wissen, wie der Motor in einem Notfall schnell gestoppt werden kann.
- Tragen Sie eine persönliche Schutzausrüstung. Siehe *Persönliche Schutzausrüstung auf Seite 68*.
- Stellen Sie sicher, dass sich nur befugte Personen im Arbeitsbereich befinden.
- Stellen Sie sicher, dass die elektrischen Kabel im Arbeitsbereich nicht stromführend sind.
- Bevor Sie das Gerät in Betrieb nehmen, finden Sie heraus, ob es versteckte Drähte, Kabel und Rohrleitungen im Arbeitsbereich gibt. Wenn das Gerät ein verstecktes Objekt trifft, halten Sie den Motor sofort an und untersuchen Sie das Gerät und Objekt. Nehmen Sie das Gerät erst wieder in Betrieb, nachdem Sie sich vergewissert haben, dass der weitere Betrieb sicher ist.
- Stellen Sie sicher, dass Sie während der Arbeit eine sichere und stabile Position einnehmen.
- Das Gerät kann Objekte mit hoher Geschwindigkeit auswerfen. Stellen Sie sicher, dass alle Personen im Arbeitsbereich zugelassene persönliche Schutzausrüstung tragen. Entfernen Sie lose Gegenstände aus dem Arbeitsbereich.
- Bevor Sie sich vom Gerät entfernen, stellen Sie den Motor ab und vergewissern Sie sich, dass keine Gefahr eines versehentlichen Starts besteht.
- Entfernen Sie sich nicht vom Gerät, ohne die Handbremsen zu betätigen.
- Seien Sie sehr vorsichtig, wenn Sie an Hängen arbeiten. Das Gerät ist schwer und kann beim

- Abrutschen oder wenn es sich zu schnell bewegt schwere Verletzungen verursachen.
- Stellen Sie sicher, dass sich kein Material lösen und den Bediener verletzen kann.
- Achten Sie darauf, dass sich Kleidung, langes Haar und Schmuck nicht in beweglichen Teilen verfangen können.
- Bedienen Sie das Gerät nur dann, wenn Sie bei einem Unfall Hilfe bekommen können.
- Bewegen Sie den Wassertank in einen sicheren Abstand zum Gerät, wenn Sie ihn füllen.

Anweisungen für geerdete Geräte



WARNUNG: Ein falscher Anschluss kann zu einem Stromschlag führen. Wenden Sie sich an einen qualifizierten Elektriker, wenn Sie Zweifel daran haben, ob die Netzsteckdose richtig geerdet ist.

Nehmen Sie keine Modifikationen am Netzstecker vor. Dieser muss den Werksspezifikationen entsprechen. Wenn der Netzstecker oder das Netzkabel beschädigt ist oder ersetzt werden muss, wenden Sie sich an Ihre Husqvarna Servicewerkstatt. Beachten Sie die vor Ort geltenden Vorschriften und Gesetze.

Wenden Sie sich an einen qualifizierten Elektriker, wenn Sie die Anweisungen hinsichtlich des geerdeten Geräts nicht vollständig verstehen.

Verwenden Sie nur geerdete Verlängerungskabel für den Außenbereich mit Erdungssteckern und einer Erdungssteckdose, die für den Netzstecker des Geräts geeignet ist.

Das Gerät verfügt über ein geerdetes Netzkabel und einen Netzstecker. Schließen Sie das Gerät immer an eine geerdete Steckdose an. Dadurch verringert sich die Gefahr eines elektrischen Schlags, wenn eine Störung vorliegt.

Verwenden Sie keine elektrischen Adapter am Gerät.

Persönliche Schutzausrüstung



WARNUNG: Lesen Sie die folgenden Warnhinweise, bevor Sie das Gerät benutzen.

- Verwenden Sie stets die vorgeschriebene persönliche Schutzausrüstung bei der Bedienung des Geräts. Die persönliche Schutzausrüstung kann Verletzungen nicht vollständig vermeiden, vermindert aber den Umfang der Verletzungen und Schäden bei einem Unfall. Lassen Sie sich bei der Auswahl der korrekten persönlichen Schutzausrüstung von Ihrem Händler beraten.

- Überprüfen Sie regelmäßig den Zustand der persönlichen Schutzausrüstung.
- Verwenden Sie einen zugelassenen Schutzhelm.
- Tragen Sie einen zugelassenen Gehörschutz.
- Tragen Sie einen zugelassenen Atemschutz.
- Tragen Sie einen zugelassenen Augenschutz mit seitlicher Abschirmung. Es besteht hohes Verletzungsrisiko für die Augen durch umherfliegende Gegenstände.
- Tragen Sie stets Schutzhandschuhe.
- Tragen Sie Stiefel mit Stahlkappe und rutschfester Sohle.
- Tragen Sie zugelassene Arbeitskleidung oder gleichwertige, eng anliegende Kleidung mit langen Ärmeln und langen Hosenbeinen.

Feuerlöscher

- Halten Sie in der Nähe des Arbeitsbereichs einen Feuerlöscher griffbereit.
- Verwenden Sie einen Pulver-Feuerlöscher oder einen Kohlendioxid-Feuerlöscher.

Sicherheitsvorrichtungen am Gerät

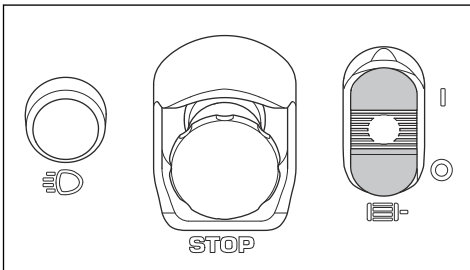


WARNUNG: Lesen Sie die folgenden Warnhinweise, bevor Sie das Gerät benutzen.

- Benutzen Sie kein Gerät mit defekten Sicherheitsvorrichtungen.
- Führen Sie regelmäßig eine Überprüfung der Sicherheitsvorrichtungen durch. Wenn die Sicherheitsvorrichtungen defekt sind, wenden Sie sich an Ihre Husqvarna-Servicewerkstatt.

ON-Taste und OFF-Taste

Die ON-Taste (I) und die OFF-Taste (0) wird zum Starten und Abstellen des Motors verwendet.

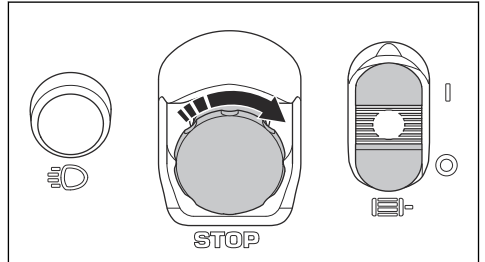


Überprüfen der ON- und OFF-Tasten

Hinweis: Wenn das Gerät nicht startet, siehe *Das Gerät springt nicht an* auf Seite 85.

1. Trennen Sie das Gerät von der Netzsteckdose.

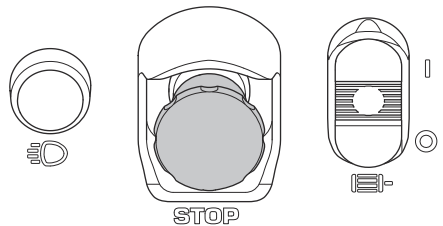
2. Achten Sie darauf, dass sich die Trennscheibe etwas über dem Boden befindet.
3. Stellen Sie sicher, dass die Trennscheibe und der Trennscheibenflansch fest angebracht und der Trennscheibenschutz korrekt montiert sind. Siehe *So installieren Sie eine Trennscheibe auf Seite 72* und *So montieren Sie den Trennscheibenschutz auf Seite 75*.
4. Schließen Sie das Gerät mit einem Verlängerungskabel an die Netzsteckdose an.
5. Drehen Sie die Maschinen-Stoptaste (STOP) im Uhrzeigersinn, um sicherzustellen, dass sie deaktiviert ist.



6. Schieben Sie die ON/OFF-Taste auf „I“, um das Gerät zu starten.
7. Warten Sie 5 Sekunden, damit das Gerät mit der korrekten Drehzahl betrieben wird.
8. Schieben Sie die ON/OFF-Taste auf „0“ und vergewissern Sie sich, dass der Motor stoppt.

Maschinen-Stoptaste

Die Maschinen-Stoptaste (STOP) stellt den Motor ab. Die Maschinen-Stoptaste schaltet nicht die Leuchten aus.

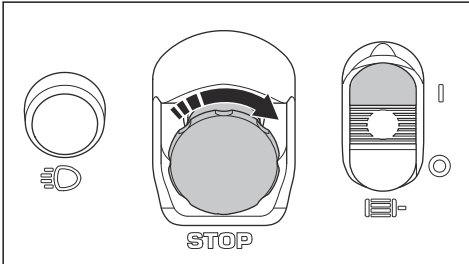


Hinweis: Verwenden Sie die Maschinen-Stoptaste nicht zum Abschalten des Geräts, solange kein Notfall vorliegt. Das korrekte Verfahren zum Anhalten des Geräts im laufenden Betrieb finden Sie unter *So stoppen Sie das Gerät* auf Seite 79.

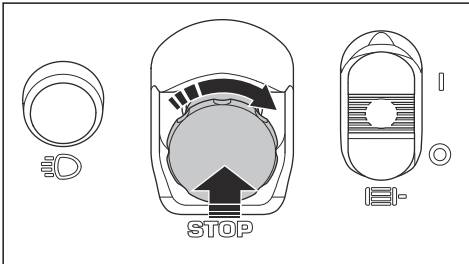
So prüfen Sie die Maschinen-Stoptaste

1. Trennen Sie das Gerät von der Netzsteckdose.

2. Achten Sie darauf, dass sich die Trennscheibe etwas über dem Boden befindet.
3. Stellen Sie sicher, dass die Trennscheibe und der Trennscheibenflansch fest angebracht und der Trennscheibenschutz korrekt montiert sind. Siehe *So installieren Sie eine Trennscheibe auf Seite 72* und *So montieren Sie den Trennscheibenschutz auf Seite 75*.
4. Stecken Sie den Netzstecker des Geräts in die Steckdose.
5. Drehen Sie die Maschinen-Stopptaste (STOP) im Uhrzeigersinn, um sicherzustellen, dass sie deaktiviert ist.



6. Schieben Sie die ON/OFF-Taste auf „I“, um das Gerät zu starten.
7. Drücken Sie die Maschinen-Stopptaste und stellen Sie sicher, dass der Motor stoppt.



8. Drehen Sie die Maschinen-Stopptaste im Uhrzeigersinn, um sie zu lösen.

Trennscheibenschutz



WARNUNG: Benutzen Sie das Gerät nicht ohne Trennscheibenschutz oder mit defektem Trennscheibenschutz. Stellen Sie vor dem Start des Geräts sicher, dass der Trennscheibenschutz korrekt installiert und befestigt ist.

Der Trennscheibenschutz verhindert, dass Teile der Klinge oder des zu schneidenden Materials auf den Bediener geschleudert werden.

So prüfen Sie den Trennscheibenschutz

- Stellen Sie sicher, dass der Trennscheibenschutz korrekt installiert und befestigt ist. Siehe *So montieren Sie den Trennscheibenschutz auf Seite 75*.
- Überprüfen Sie den Trennscheibenschutz auf Beschädigungen, z. B. Risse.
- Tauschen Sie einen beschädigten Trennscheibenschutz aus.
- Tauschen Sie den Trennscheibenschutz aus, wenn er gerammt, verbogen oder beschädigt wurde.

Treibriemenabdeckung

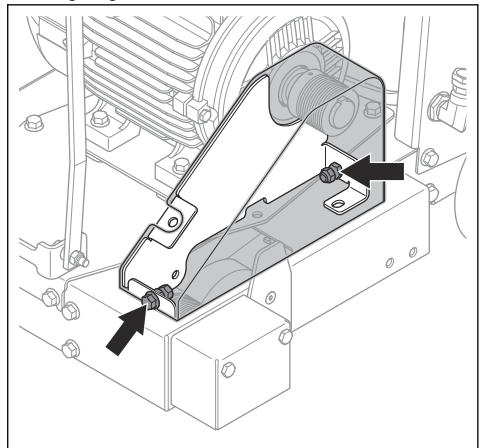


WARNUNG: Verwenden Sie das Gerät nicht ohne oder mit einer defekten Treibriemenabdeckung. Stellen Sie vor dem Start des Geräts sicher, dass die Treibriemenabdeckung korrekt installiert und befestigt ist.

Die Treibriemenabdeckung schützt Sie vor den Riemenscheiben und dem Treibriemen.

So prüfen Sie die Treibriemenabdeckung

- Kontrollieren Sie die Treibriemenabdeckung auf Schäden und Risse. Ersetzen Sie die Treibriemenabdeckung, falls notwendig.
- Stellen Sie sicher, dass die beiden Schrauben der Treibriemenabdeckung installiert und korrekt festgezogen sind.



Sicherheitshinweise für die Wartung

- Halten Sie alle Teile in einwandfreiem Zustand, und stellen Sie sicher, dass alle Befestigungsteile korrekt festgezogen sind.
- Verwenden Sie das Gerät nicht, wenn es defekt ist. Führen Sie alle Sicherheitskontrollen, Wartungen und Servicemaßnahmen durch, die in dieser

Bedienungsanleitung angegeben sind. Alle anderen Wartungsarbeiten müssen von einer autorisierten Servicewerkstatt durchgeführt werden.

- Stoppen Sie den Motor und ziehen Sie den Netzstecker, wenn Sie die Diamantwerkzeuge austauschen.

- Führen Sie die Inspektion und/oder Wartung bei stehendem Motor und gezogenem Netzstecker durch.
- Warten Sie das Gerät, um sicherzustellen, dass es ordnungsgemäß funktioniert. Siehe *Wartungsplan auf Seite 82*.

Betrieb

Einleitung



WARNUNG: Lesen Sie vor Gebrauch des Geräts das Kapitel über Sicherheit, und machen Sie sich damit vertraut.

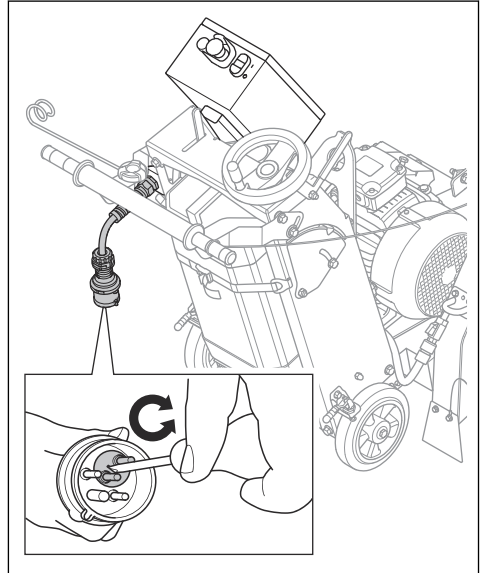
Bevor Sie das Gerät bedienen



ACHTUNG: Verwenden Sie kein Verlängerungskabel, das länger als 25 m ist und einen Durchmesser von mindestens 2,5 mm² hat.

- Lesen Sie die Betriebsanleitung sorgfältig durch, und stellen Sie sicher, dass Sie die Anweisungen verstehen.
- Lesen Sie die Anweisungen, die der Hersteller der Trennscheibe dieser beilegt.
- Führen Sie vor jedem Gebrauch des Geräts folgendes durch:
 - a) Führen Sie die tägliche Wartung durch. Siehe *Wartungsplan auf Seite 82*.
 - b) Erstellen Sie Markierungslinien für alle Schnitte. Bereiten Sie den Arbeitsablauf sorgfältig vor, um Verletzungen und Schäden vorzubeugen.
 - c) Vergewissern Sie sich, dass Trennscheibe und Trennscheibenschutz korrekt montiert sind. Siehe *So installieren Sie eine Trennscheibe auf Seite 72* und *So montieren Sie den Trennscheibenschutz auf Seite 75*.
 - d) Bringen Sie den Handgriff in eine geeignete Betriebsposition. Siehe *So stellen Sie die Handgriffhöhe ein auf Seite 72*.
 - e) Füllen Sie den Wassertank, oder schließen einen externen Wasserhahn an. Siehe *So befüllen Sie den Wassertank auf Seite 77* und *Anschluss an externe Wasserversorgung auf Seite 78*.
 - f) Vergewissern Sie sich, dass das Wasserrohr im Trennscheibenschutz geöffnet ist. Jede Seite der Trennscheibe muss eine ausreichende Wasserzufuhr besitzen.
 - g) Stellen Sie sicher, dass das Leitrad mit der Trennscheibe ausgerichtet ist. Siehe *Ausrichtung des Leitrads mit der Trennscheibe auf Seite 77*.
 - h) Schließen Sie den Netzstecker des Geräts an ein Verlängerungskabel und dann an die Netzsteckdose an.

- i) In einigen Fällen müssen Sie die Phasen umkehren. Siehe *Fehleranzeige auf Seite 85*.



- j) Drehen Sie die Maschinen-Stoppaste im Uhrzeigersinn, um sicherzustellen, dass die Taste gelöst ist.

Trennscheiben



WARNUNG: Verwenden Sie die Trennscheibe ausschließlich für Materialien, für die diese konzipiert ist.



WARNUNG: Verwenden Sie für Nassschnitte nur Diamantscheiben. Die Nenndrehzahl der Diamantklinge muss der auf dem Typenschild des Geräts festgelegten Drehzahl entsprechen bzw. diese übertreffen. Verwenden Sie ausschließlich Diamantscheiben, die mit nationalen und regionalen Standards, z. B. EN13236 oder ANSI B7.1, übereinstimmen.

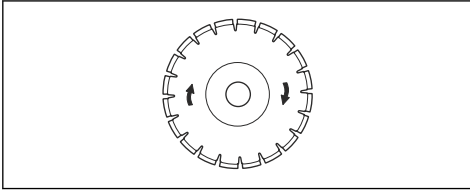
Der Hersteller der Diamantscheibe gibt Warnhinweise und Empfehlungen für den Betrieb und die korrekte

Wartung der Trennscheibe. Diese Warnhinweise werden mit der Trennscheibe bereitgestellt.

Diamantscheiben



WARNUNG: Stellen Sie sicher, dass die Drehrichtung der Diamanttrennscheibe, die auf der Diamanttrennscheibe zu sehen ist, mit der auf dem Gerät angezeigten Drehrichtung übereinstimmt.



ACHTUNG: Immer eine scharfe Diamantscheibe benutzen.

Es gibt ein breites Sortiment an Diamantscheiben, die für unterschiedliche Arbeiten eingesetzt werden. Vom neu gegossenen Beton hin zu Beton und Asphalt, der hart geworden ist, sowie für unterschiedliche Härteklassen.

Diamantscheiben haben einen Stahlkern mit Segmenten aus Industriediamanten.

Wasserkühlsystem

Verwenden Sie beim Betrieb stets Wasser, um die Temperatur der Diamantscheiben niedrig zu halten. Das Wasserkühlsystem erhöht auch die Betriebszeit der Diamantscheiben und verhindert Staubansammlungen.

Vergewissern Sie sich, dass die Wasserversorgung nicht verstopft ist.

Diamantscheiben für den Nassschnitt



WARNUNG: Verwenden Sie stets einen Trennscheibenflansch mit den Abmessungen, die für die jeweilige Scheibengröße festgelegt sind. Verwenden Sie keine beschädigten Trennscheibenflansche.

Während des Betriebs wird die Diamantscheibe durch Reibung sehr heiß. Ist die Diamantscheibe zu heiß geworden, sinkt die Klingenspannung oder der Kern bricht.

Lassen Sie die Diamantscheibe abkühlen, bevor Sie diese berühren.

- Diamantscheiben für Nassschnitte müssen mit Wasser eingesetzt werden, um deren Kern und die Segmente beim Schneiden kühl zu halten.

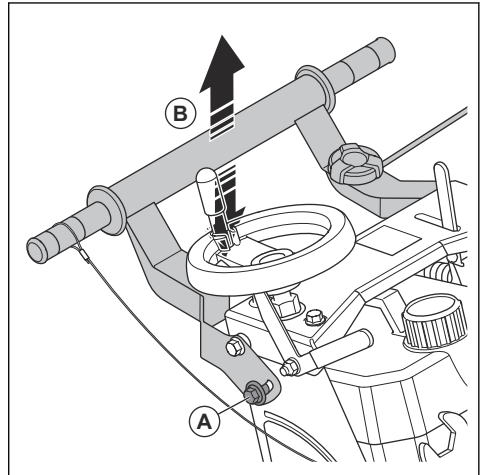
Diamantscheiben für Nassschnitte dürfen nicht trocken eingesetzt werden.

- Wenn Sie Diamantscheiben zum Nassschneiden ohne Wasser verwenden, können diese zu heiß werden. Das verschlechtert die Leistung, schädigt die Trennscheibe und stellt ein Sicherheitsrisiko dar.

So stellen Sie die Handgriffhöhe ein

Der Handgriff kann auf die korrekte Höhe eingestellt werden.

1. Lösen Sie die Schrauben (A) auf jeder Seite des Geräts.



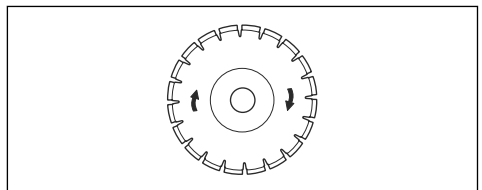
2. Stellen Sie die Position auf die erforderliche Arbeitshöhe (B) ein.
3. Ziehen Sie die Schrauben (A) an.

So installieren Sie eine Trennscheibe

Die Trennscheibe kann auf der rechten und der linken Seite des Geräts montiert werden.

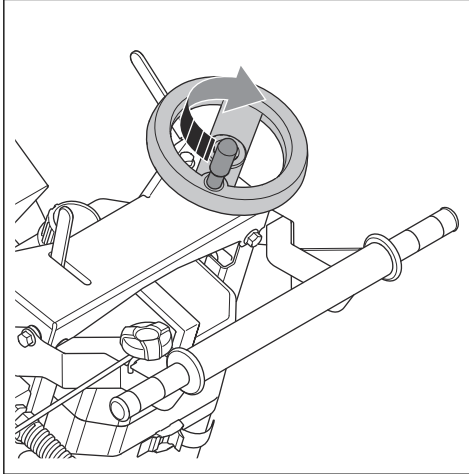


ACHTUNG: Es besteht eine Beschädigungsgefahr, wenn die Trennscheibe entgegengesetzt zur Drehrichtung installiert wird. Stellen Sie sicher, dass die Trennscheibe in Richtung der Pfeile dreht, die auf dieser abgebildet sind.

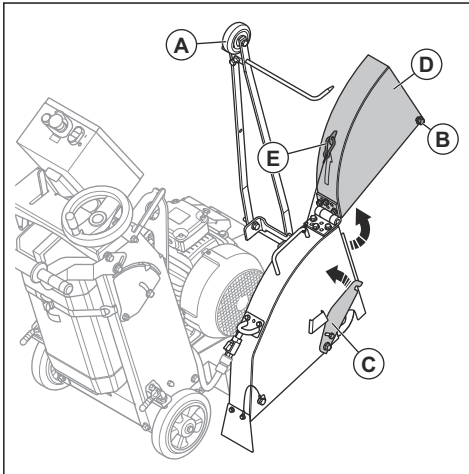


Hinweis: Der Hebel für das Schnitttiefeinstellrad muss immer arretiert sein, wenn das Schnitttiefeinstellrad nicht verwendet wird.

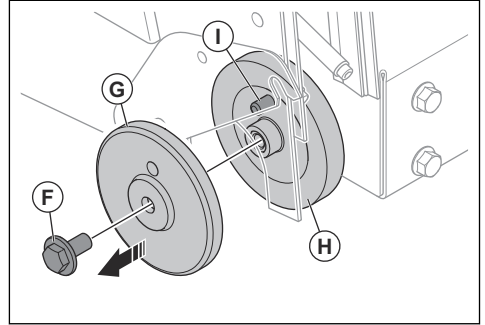
1. Stellen Sie den Motor ab und trennen Sie das Gerät von der Netzsteckdose.
2. Drehen Sie das Schnitttiefeinstellrad im Uhrzeigersinn, um die Trennscheibe vollständig anzuheben. Drücken Sie den Hebel, um das Schnitttiefeinstellrad zu arretieren.



3. Der Trennscheibenschutz muss auf der gleichen Seite des Geräts wie die Trennscheibe montiert werden. Wenn der Trennscheibenschutz nicht auf der richtigen Seite montiert ist, siehe *So montieren Sie den Trennscheibenschutz auf Seite 75*.
4. Heben Sie das Leitrad (A) in eine aufrechte Position.



5. Lösen Sie am Trennscheibenschutz die vordere Schraube (B) und heben Sie die Verriegelung des Trennscheibenschutzes (C) an.
6. Heben Sie die Vorderseite des Trennscheibenschutzes (D) an.
7. Arretieren Sie den Trennscheibenschutz mit dem Seil und dem Karabiner (E) in der aufrechten Position.
8. Entfernen Sie die Trennscheibenschraube (F) mit dem mitgelieferten Schraubenschlüssel und Gegenschlüssel.



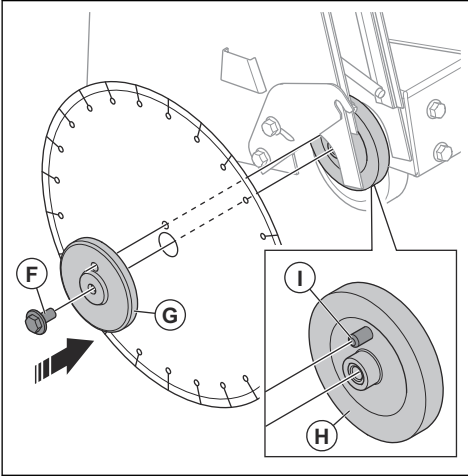
Hinweis: Die Trennscheibenschraube auf der rechten Seite des Geräts hat ein Linksgewinde. Die Trennscheibenschraube auf der linken Seite des Geräts hat ein Rechtsgewinde.

9. Entfernen Sie den Trennscheibenflansch (G).

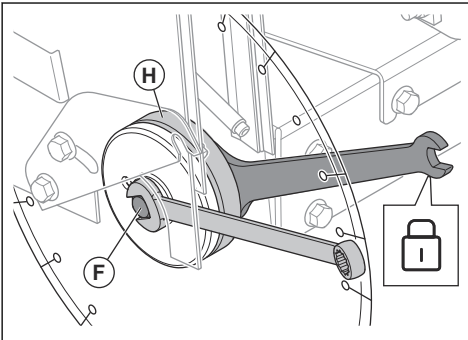


WARNUNG: Durch beschädigte oder verschmutzte Teile kann die korrekte Installation der Trennscheibe verhindert werden. Überprüfen Sie die Trennscheibenschraube (F), den Trennscheibenflansch (G), den inneren Flansch (H) und den Sperrstift (I) auf Schäden. Ersetzen Sie verschlissene oder beschädigte Teile. Reinigen Sie die Kontaktflächen der Trennscheibe und der Flansche. Reinigen Sie die Gewinde der Trennscheibenschraube und des inneren Flansches.

10. Montieren Sie die Trennscheibe am inneren Flansch (H).

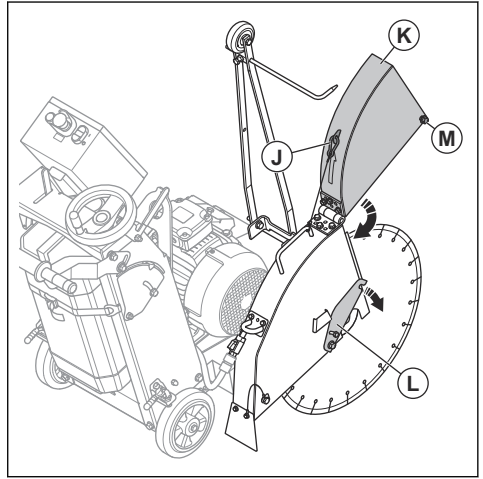


11. Montieren Sie den Trennscheibenflansch (G) und die Trennscheibenschraube (F). Vergewissern Sie sich, dass der Sperrstift (I) am inneren Flansch durch die Trennscheibe in den Trennscheibenflansch (G) verläuft.
12. Halten Sie die Trennscheibe fest, und schieben Sie sie entgegen der Drehrichtung. Ziehen Sie gleichzeitig die Trennscheibenschraube (F) mit dem mitgelieferten Schraubenschlüssel fest.
13. Den inneren Flansch (H) mit dem mitgelieferten Schraubenschlüssel arretieren und die Trennscheibenschraube (F) mit dem anderen mitgelieferten Schraubenschlüssel festziehen.



14. Ziehen Sie die Trennscheibenschraube (F) mit 100 Nm/74 ft lbs fest.

15. Lösen Sie den Trennscheibenschutz vom Karabiner (J), und senken Sie die Vorderseite des Trennscheibenschutzes (K) ab.



16. Setzen Sie die Verriegelung des Trennscheibenschutzes (L) auf die vordere Schraube des Trennscheibenschutzes. Ziehen Sie die vordere Schraube (M) des Trennscheibenschutzes fest.



ACHTUNG: Betreiben Sie das Gerät nicht, ohne dass die Vorderseite des Trennscheibenschutzes abgesenkt und seine Verriegelung eingerastet ist. Verwenden Sie das Gerät nicht, wenn die Teile beschädigt sind.

17. Stellen Sie sicher, dass die Trennscheibenschraube auf der gegenüberliegenden Seite des Geräts festgezogen ist.
18. Das Gerät starten. Siehe *So starten Sie das Gerät auf Seite 79*.
19. Auf ungewöhnliche Geräusche achten. Sollten ungewöhnliche Geräusche auftreten, bauen Sie die Trennscheibe aus.
- Überprüfen Sie die Trennscheibe auf Schäden.
 - Montieren Sie die Trennscheibe erneut. Tauschen Sie die Trennscheibe aus, wenn diese beschädigt ist.

So entfernen Sie die Trennscheibe



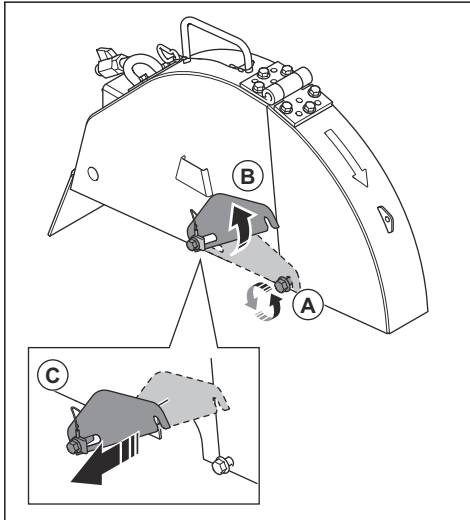
WARNUNG: Tragen Sie Schutzhandschuhe und lassen Sie das Gerät abkühlen, wenn Sie die Diamantscheibe entfernen. Diamantscheiben sind nach dem Gebrauch sehr heiß.

- Entfernen Sie die Trennscheibe in umgekehrter Reihenfolge des Einbaus. Siehe *So installieren Sie eine Trennscheibe auf Seite 72*.

So montieren Sie den Trennscheibenschutz

Der Trennscheibenschutz muss auf der gleichen Seite des Geräts wie die Trennscheibe montiert werden. Bewegen Sie falls erforderlich die Verriegelung des Trennscheibenschutzes auf die richtige Seite des Trennscheibenschutzes.

1. Wenn die Verriegelung des Trennscheibenschutzes nicht auf der richtigen Seite des Trennscheibenschutzes montiert ist, führen Sie das folgende Verfahren aus.
 - a) Lösen Sie die zwei Schrauben an der Flanschabdeckung, und nehmen Sie die Flanschabdeckung ab.
 - b) Lösen Sie am Trennscheibenschutz die vordere Schraube (A) und heben Sie die Verriegelung des Trennscheibenschutzes (B) an.

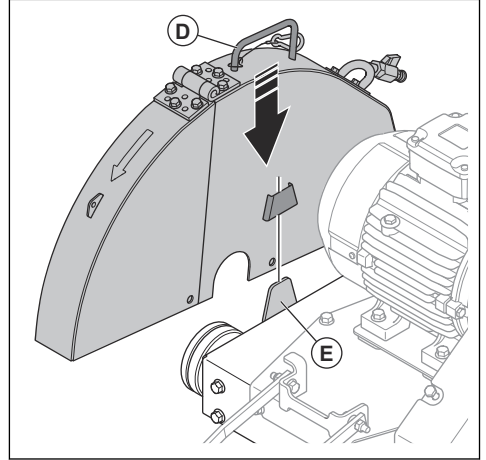


- c) Entfernen Sie die hintere Schraube und die Verriegelung des Trennscheibenschutzes (C).
2. Bewegen Sie die Verriegelung des Trennscheibenschutzes auf die gegenüberliegende Seite des Trennscheibenschutzes. Gehen Sie wie folgt vor.
 - a) Montieren Sie die Verriegelung des Trennscheibenschutzes, und ziehen Sie die hintere Schraube fest.
 - b) Setzen Sie die Verriegelung des Trennscheibenschutzes auf die vordere Schraube des Trennscheibenschutzes. Ziehen Sie die vordere Schraube (A) fest.

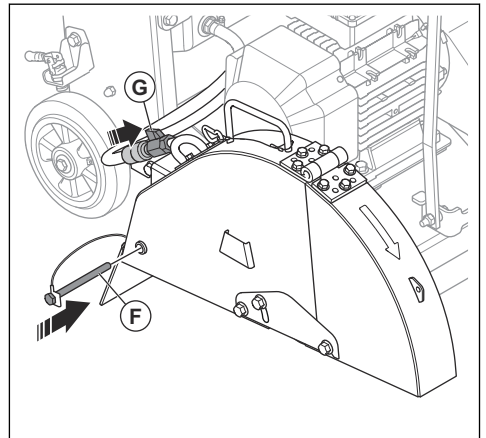


ACHTUNG: Benutzen Sie das Gerät nicht, ohne dass die Verriegelung des Trennscheibenschutzes eingerastet ist. Verwenden Sie das Gerät nicht, wenn die Teile beschädigt sind.

3. Heben Sie den Trennscheibenschutz mit dem Griff (D) an, und montieren Sie den Trennscheibenschutz an der Halterung (E).

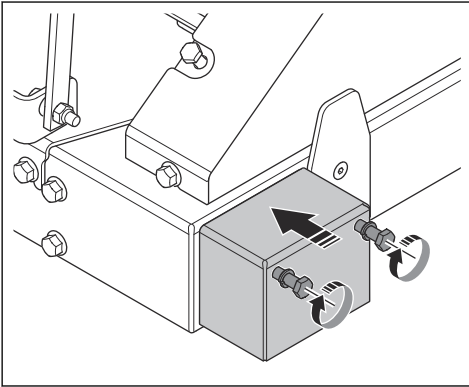


4. Montieren Sie die Schraube (F) für den Trennscheibenschutz.



5. Schließen Sie den Wasserschlauch (G) an.

- Montieren Sie die Flanschabdeckung auf der gegenüberliegenden Seite des Geräts, und ziehen Sie die zwei Schrauben fest.



So entfernen Sie den Trennscheibenschutz

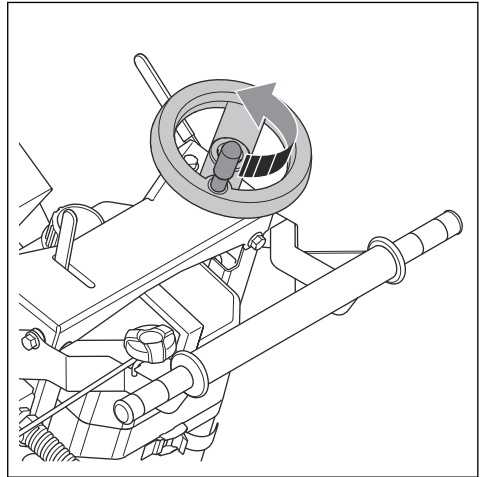
- Stoppen Sie den Motor. Siehe *So stoppen Sie das Gerät auf Seite 79*.
- Entfernen Sie den Trennscheibenschutz in umgekehrter Reihenfolge des Einbaus. Siehe *So montieren Sie den Trennscheibenschutz auf Seite 75*.

Schnitttiefenanzeige einstellen

Die Anzeige muss vor Nutzung des Produkts kalibriert werden.

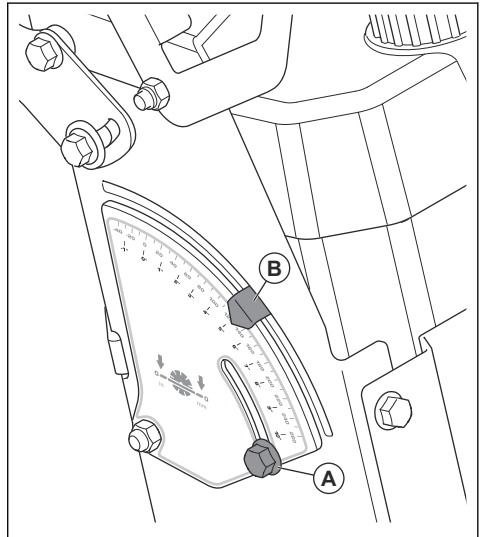
Hinweis: Der Hebel für das Schnitttiefeneinstellrad muss immer arretiert sein, wenn das Schnitttiefeneinstellrad nicht verwendet wird.

- Drehen Sie das Schnitttiefeneinstellrad, bis die Trennscheibe den Boden leicht berührt. Drücken Sie den Hebel, um das Schnitttiefeneinstellrad zu arretieren.



ACHTUNG: Senken Sie die Trennscheibe nicht zu schnell ab. Wenn die Trennscheibe den Boden mit Gewalt berührt, kann sie beschädigt werden.

- Lösen Sie die Schraube (A).



- Drehen Sie die Anzeigeplatte, bis sich die Position „0“ in der Mitte des Pfeils (B) befindet.
- Ziehen Sie die Schraube (A) an.

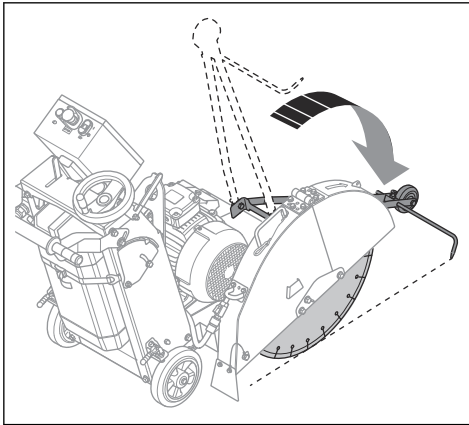


ACHTUNG: Prüfen Sie immer, dass die Schnitttiefe korrekt ist. Die Anzeige hilft, die richtige Schnitttiefe zu bestimmen, die Funktion liefert jedoch nur einen Hinweis auf die Tiefe.

Ausrichtung des Leitrads mit der Trennscheibe

Hinweis: Das Leitrad muss mit der Trennscheibe ausgerichtet werden.

1. Bringen Sie den inneren Flansch auf eine Linie.
2. Senken Sie das Leitrad ab und richten Sie das Gerät mit den Markierungen aus.



3. Richten Sie das Leitrad mit der Linie aus.
4. Stellen Sie das Leitrad ggf. ein, bis dieses mit der Linie ausgerichtet ist.

Grundlegende Arbeitsmethoden



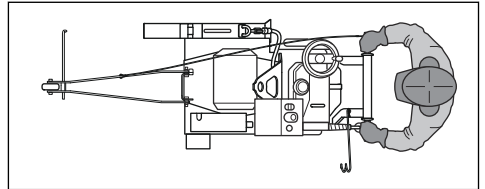
WARNUNG: Die Trennscheibenwelle dreht sich, wenn der Motor anspringt.

- Vergewissern Sie sich, dass Sie beim Betrieb jederzeit die Maschinen-Stopptaste drücken können.
- Überprüfen Sie, dass keine Werkzeuge oder andere Objekte auf dem Gerät liegengelassen werden.
- Behalten Sie die Kontrolle über das Gerät, wenn der Motor läuft.
- Stellen Sie vor dem Start des Geräts sicher, dass der Trennscheibenschutz korrekt montiert ist. Schneiden Sie nicht ohne Trennscheibenschutz.
- Machen Sie Linienmarkierungen für alle Schnitte, bevor Sie mit der Arbeit beginnen. Vergewissern Sie sich, dass keine Gefahren für den Bediener oder das Gerät bestehen.

- Solange sich die Trennscheibe dreht, dürfen Sie das Gerät nicht wenden, drehen oder seitlich versetzen.
- Stellen Sie sicher, dass immer eine weitere Person in der Nähe ist, wenn Sie das Gerät verwenden. Sollte es einen Unfall geben, kann Ihnen diese Person Hilfe leisten.
- Entfernen Sie sich nicht vom Gerät, ohne die Handbremsen zu betätigen.

So verwenden Sie die richtige Arbeitstechnik

- Bleiben Sie vom Pfad der Trennscheibe entfernt, wenn der Motor eingeschaltet ist. Der Bediener muss sich hinter den Handgriffen befinden und diesen mit beiden Händen festhalten.



- Prüfen Sie die Trennscheibe während des Arbeitstags häufiger auf Risse und defekte Teile. Verwenden Sie keine schadhafte Trennscheibe.



WARNUNG: Stoppen Sie den Motor und ziehen Sie den Netzstecker, bevor Sie die Trennscheibe untersuchen.

- Schleifen Sie niemals mit der Trennscheibenseite. Die Trennscheibe kann brechen und Verletzungen oder umstehender Personen verursachen. Verwenden Sie nur die Schneidkante.
- Biegen oder drehen Sie die Trennscheibe nicht im Schnitt.
- Vergewissern Sie sich, dass sich die Trennscheibe frei bewegt und nicht im Schnitt hängen bleibt.

Wasserversorgung

Die Trennscheibe muss während des Betriebs ausreichend mit Wasser versorgt werden. Verwenden Sie Wasser aus dem Wassertank am Gerät oder aus einem externen Wasserschlauch. Siehe *So befüllen Sie den Wassertank auf Seite 77* und *Anschluss an externe Wasserversorgung auf Seite 78*.

So befüllen Sie den Wassertank



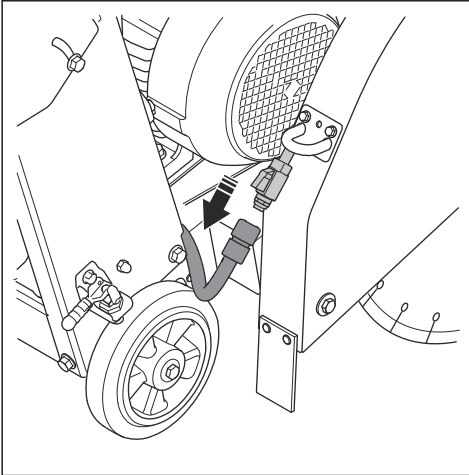
WARNUNG: Geben Sie nur Wasser in den Tank. Geben Sie keine anderen Flüssigkeiten in den Wassertank.



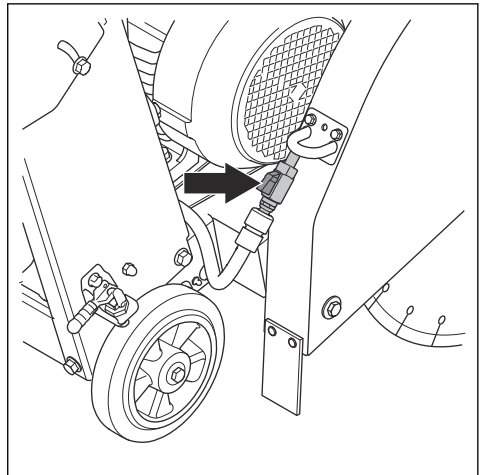
WARNUNG: Achten Sie darauf, dass sich die Trennscheibe etwas über dem Boden befindet, wenn Sie

den Wasserhahn aufdrehen, um den Wasserfluss einzustellen.

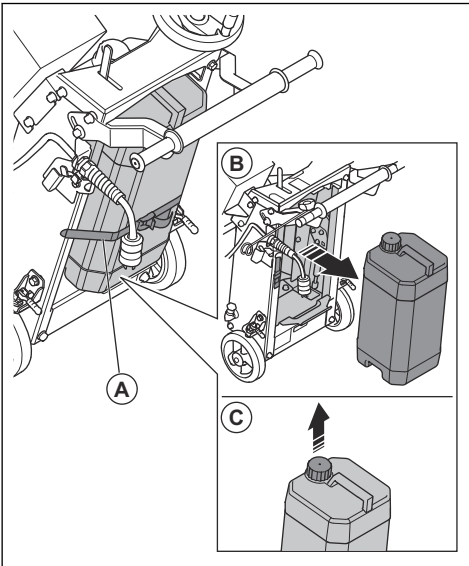
1. Schließen Sie den Wasserhahn und trennen Sie den Wasserschlauch.



6. Bringen Sie den Wassertankgurt an, und schließen Sie den Wasserschlauch an.
7. Drehen Sie den Wasserhahn am Trennscheibenschutz, um die Wasserversorgung einzustellen.



2. Entfernen Sie den Wassertankgurt (A) und den Wassertank (B). Verschütten Sie kein Wasser auf das Produkt. Bewegen Sie den Wassertank vom Gerät weg in einen sicheren Abstand.



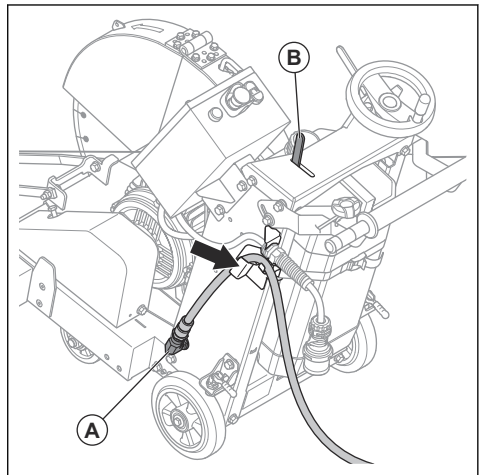
3. Nehmen Sie den Deckel des Wassertanks (C) ab, und befüllen Sie den Wassertank mit Wasser.
4. Schrauben Sie den Deckel des Wassertanks wieder auf.
5. Bringen Sie den Wassertank an.

Anschluss an externe Wasserversorgung

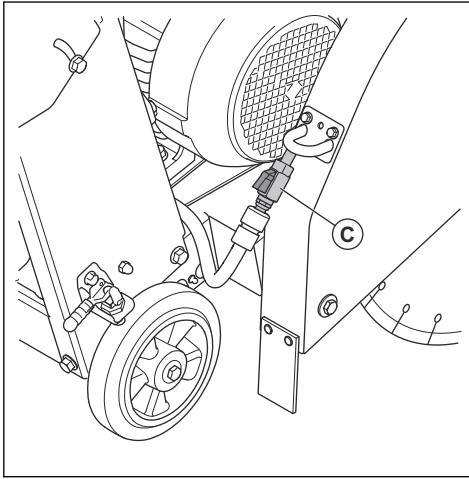


WARNUNG: Achten Sie darauf, dass sich die Trennscheibe etwas über dem Boden befindet, wenn Sie den Wasserhahn aufdrehen, um den Wasserfluss einzustellen.

1. Schließen Sie den externen Wasserschlauch an den Wassereinlass (A) an. Stecken Sie den externen Wasserschlauch in den Schlauchhalter.



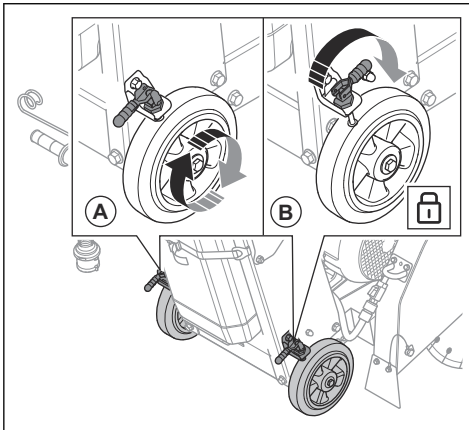
- Um das Wasser laufen zu lassen oder abzudrehen, drücken Sie das Wasserventil (B) oder drehen Sie den Wasserhahn (C) am Trennscheibenschutz.



- Um die Wasserversorgung einzustellen, drücken Sie das Wasserventil oder drehen Sie den Wasserhahn am Trennscheibenschutz.

So betätigen und lösen Sie die Handbremsen

- Lösen Sie die Handbremsen (A), um das Gerät zu bewegen.



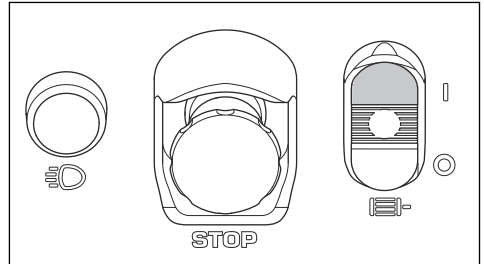
- Betätigen Sie die Handbremsen (B), um das Gerät in Position zu halten.

So starten Sie das Gerät



WARNUNG: Achten Sie darauf, dass sich die Trennscheibe etwas über dem Boden befindet.

- Schieben Sie die ON/OFF-Taste auf „I“, um das Gerät zu starten. In weniger als fünf Sekunden arbeitet das Gerät mit der korrekten Betriebsdrehzahl.



Einstellen des Betriebs

Hinweis: Der Hebel für das Schnitttiefeinstellrad muss immer arretiert sein, wenn das Schnitttiefeinstellrad nicht verwendet wird.

- Ziehen Sie den Hebel, um das Schnitttiefeinstellrad zu lösen.
- Drehen Sie das Schnitttiefeinstellrad im Uhrzeigersinn, bis sich die Trennscheibe etwas über dem Boden befindet.
- Drücken Sie den Hebel, um das Schnitttiefeinstellrad zu arretieren.
- Drehen Sie den Wasserhahn oder drücken Sie das Wasserventil, um die Wasserversorgung anzuhalten. Siehe *Anschluss an externe Wasserversorgung auf Seite 78*.

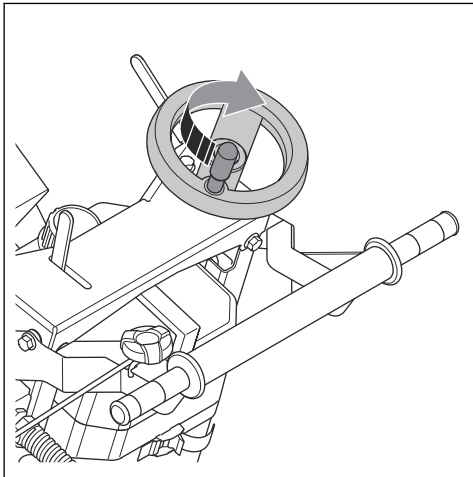
So stoppen Sie das Gerät



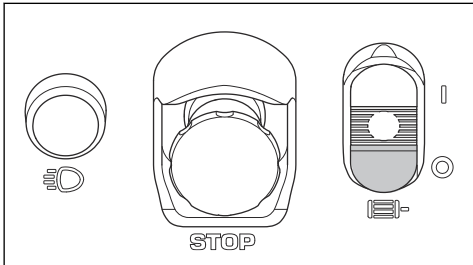
WARNUNG: Die Trennscheibe dreht sich nach dem Stoppen des Motors eine Weile lang weiter.

Hinweis: Der Hebel für das Schnitttiefeinstellrad muss immer arretiert sein, wenn das Schnitttiefeinstellrad nicht verwendet wird.

1. Drehen Sie das Schnittiefeinstellrad im Uhrzeigersinn, um die Trennscheibe anzuheben. Drücken Sie den Hebel, um das Schnittiefeinstellrad zu arretieren.



2. Schieben Sie die ON/OFF-Taste auf „0“, um den Motor zu stoppen.



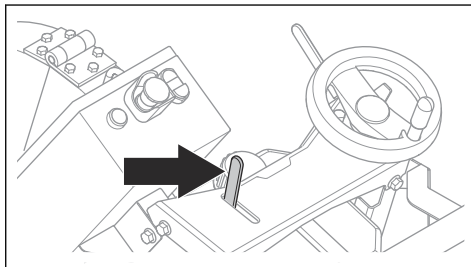
3. Ziehen Sie die Feststellbremsen an.
4. Ziehen Sie den Netzstecker aus der Steckdose.

So schneiden Sie die Oberfläche

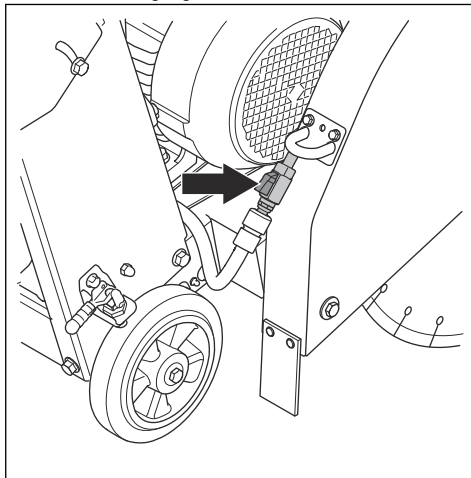
Hinweis: Der Hebel für das Schnittiefeinstellrad muss immer arretiert sein, wenn das Schnittiefeinstellrad nicht verwendet wird.

1. Richten Sie die Trennscheibe an den Markierungen auf dem Boden oder dem Führungsschnitt aus.

2. Wenn ein externer Wasserschlauch verwendet wird, drücken Sie das Wasserventil, um den Wasserfluss ein- oder auszuschalten.

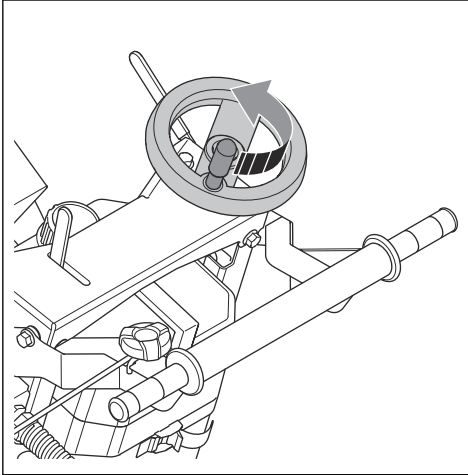


3. Drehen Sie den Wasserhahn, um die Wasserversorgung einzustellen.

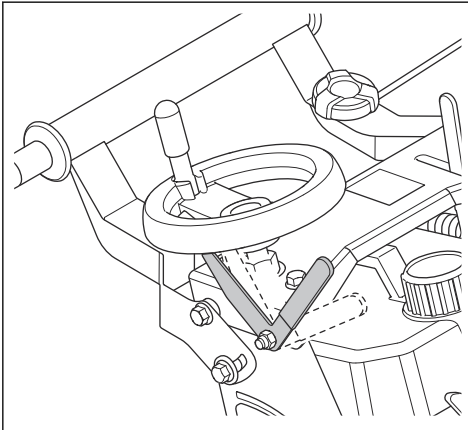


4. Wasserfluss prüfen. Wasserversorgung bei Bedarf einstellen.
5. Starten Sie den Motor. Siehe *So starten Sie das Gerät auf Seite 79*.

6. Drehen Sie das Schnitttiefeinstellrad langsam gegen den Uhrzeigersinn, um die Trennscheibe abzusenken.



7. Machen Sie einen ca. 20-30 mm tiefen Führungsschnitt.
8. Schneiden Sie in Schritten von jeweils 50 mm, bis die geforderte Tiefe erreicht wurde. Drücken Sie den Hebel, um das Schnitttiefeinstellrad zu arretieren.



9. Stellen Sie beim Betrieb des Geräts stets die Wasserversorgung ein. Auf jeder Seite der Trennscheibe muss ausreichend Wasser vorhanden sein, um die Trennscheibe abzukühlen. Das Wasser verhindert außerdem die Staubbildung.
10. Schneiden Sie nur in einer Linie, richten Sie die Trennscheibe mit den Markierungen aus.

11. Schieben Sie das Gerät langsam nach vorn und vergewissern Sie sich, dass das Leitrad und die Trennscheibe mit den Markierungen ausgerichtet sind.



ACHTUNG: Versetzen Sie das Gerät nicht seitlich, um die Trennscheibe an den Markierungen auszurichten.

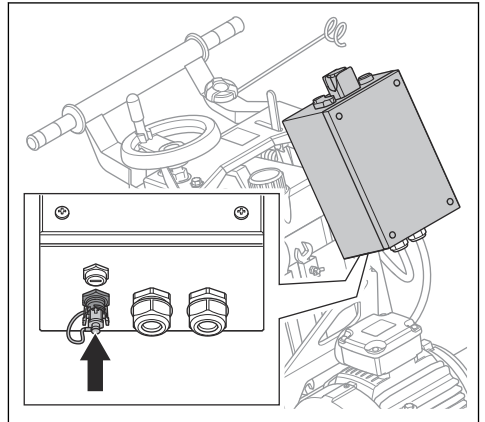
Betrieb des Beleuchtungssatzes

Der Beleuchtungssatz ist Zubehör. Verwenden Sie nur den 24-V-Ausgang für den Arbeitsscheinwerfer für durch Husqvarna zugelassene Beleuchtungssätze.

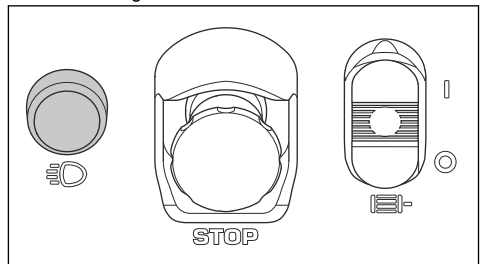


WARNUNG: Blicken Sie nicht in den Strahl.

1. Bringen Sie den Beleuchtungssatz am 24-V-Ausgang des Arbeitsscheinwerfers an.



2. Drücken Sie den Lichtschalter, um den Beleuchtungssatz einzuschalten.



3. Drücken Sie den Lichtschalter erneut, um den Beleuchtungssatz auszuschalten.

Wartung

Einleitung



WARNUNG: Lesen Sie vor dem Warten des Geräts das Kapitel über Sicherheit, und machen Sie sich damit vertraut.

Für alle Wartungs- und Reparaturarbeiten am Produkt ist eine spezielle Schulung erforderlich. Wir garantieren, dass professionelle Reparaturen und Wartungsarbeiten zur Verfügung stehen. Wenn Ihr Händler keine Servicewerkstatt ist, sprechen Sie mit ihm, um Informationen über die nächste Servicewerkstatt zu erhalten.

Wenden Sie sich für Ersatzteile an einen Händler oder eine Servicewerkstatt von Husqvarna.

Maßnahmen vor der Wartung

- Parken Sie das Gerät auf einem ebenen Untergrund und stellen Sie den Motor ab. Drücken Sie die Maschinen-Stoptaste auf der Bedientafel, um versehentliches Anlassen bei der Wartung zu verhindern.

Wartungsplan

Wartung	Täglich	Monatlich
Reinigen Sie die Außenflächen des Geräts mit Wasser. Siehe <i>So reinigen Sie das Gerät auf Seite 83</i> .	X	
Allgemeine Inspektion durchführen. Siehe <i>So führen Sie eine allgemeine Inspektion durch auf Seite 83</i> .	X	
Antriebsriemen überprüfen. Falls nötig die Spannung des Antriebsriemens einstellen. Siehe <i>So stellen Sie die Spannung des Antriebsriemens ein auf Seite 83</i> .	X	
Die Maschinen-Stoptaste überprüfen. Siehe <i>So prüfen Sie die Maschinen-Stoptaste auf Seite 69</i> .	X	
Überprüfen Sie die ON- und OFF-Tasten. Siehe <i>Überprüfen der ON- und OFF-Tasten auf Seite 69</i> .	X	
Wasserfluss prüfen. Wenn der Wasserdurchfluss nicht ausreicht, überprüfen Sie den Wasserfilter. Reinigen Sie bei Bedarf den Wasserfilter. Siehe <i>Reinigen des Wasserfilters auf Seite 83</i> .	X	
Die Trennscheibenschutzvorrichtungen kontrollieren. Siehe <i>So prüfen Sie den Trennscheibenschutz auf Seite 70</i> .	X	
Trennscheibe überprüfen. Siehe <i>Trennscheiben auf Seite 71</i> .	X	
Die Buchsen und den Hebel zur Schnitttiefeinstellung schmieren. Siehe <i>So schmieren Sie das Gerät auf Seite 84</i> .	X	
Die Mutter an der Antriebsriemenplatte und die Achse schmieren. Siehe <i>So schmieren Sie das Gerät auf Seite 84</i> .		X

So reinigen Sie das Gerät



WARNUNG: Verwenden Sie eine Schutzbrille. Bei der Reinigung des Geräts können Schmutz oder schädliche Materialien aus dem Gerät austreten.



ACHTUNG: Ein verstopfter Lufterlass reduziert die Leistung des Geräts und kann dazu führen, dass der Motor zu heiß wird.

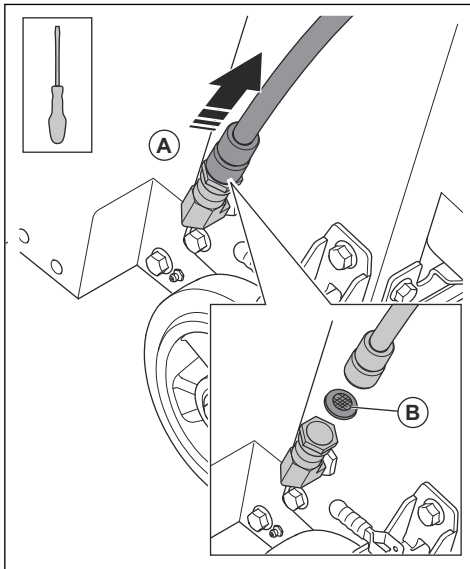
- Lassen Sie das Gerät abkühlen, bevor Sie es reinigen.
- Reinigen Sie elektrische Bauteile nicht mit Wasser.
- Verwenden Sie ein mildes Reinigungsmittel. Tragen Sie Schutzhandschuhe, um Hautirritationen zu vermeiden.
- Reinigen Sie stets die gesamte Ausstattung am Ende des Arbeitstages. Reinigen Sie das Gerät nicht mit einem Hochdruckreiniger.
- Entfernen Sie Verstopfungen aus den Luftöffnungen.

Reinigen des Wasserfilters



ACHTUNG: Ein verstopfter Wasserfilter verringert den Wasserdurchfluss zur Trennscheibe und kann dazu führen, dass die Trennscheibe zu heiß wird.

1. Trennen Sie den externen Wasserschlauch (A) vom Wassereinlass.



2. Entfernen Sie den Wasserfilter (B) mit einem flachen Schraubendreher.
3. Überprüfen Sie den Wasserfilter. Reinigen Sie bei Bedarf den Wasserfilter.
4. Bringen Sie den Wasserfilter an, und schließen Sie den externen Schlauch an.

So führen Sie eine allgemeine Inspektion durch

- Stellen Sie sicher, dass die Muttern und Schrauben am Produkt nicht beschädigt sind.
- Stellen Sie sicher, dass die Kabel des Geräts nicht so liegen, dass diese beschädigt werden könnten.
- Untersuchen Sie die elektrischen Teile auf Beschädigungen. Nehmen Sie ein Gerät, dessen elektrische Teile beschädigt sind, nicht in Betrieb.
- Überprüfen Sie die Wasserschläuche auf Undichtigkeiten. Nehmen Sie ein Gerät, dessen Wasserschläuche beschädigt sind, nicht in Betrieb.

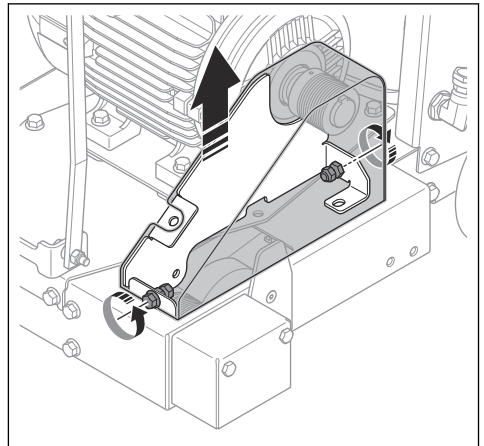
So stellen Sie die Spannung des Antriebsriemens ein



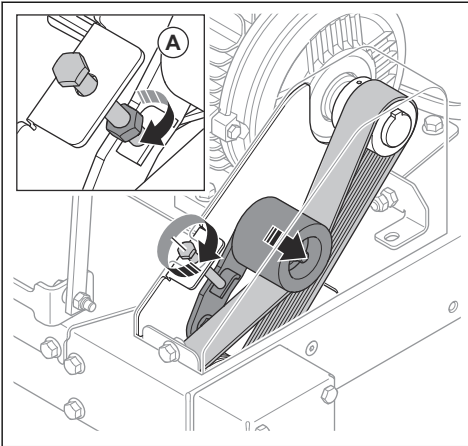
ACHTUNG: Vergewissern Sie sich, dass der Antriebsriemen nicht beschädigt ist.

Die Spannung eines neuen Antriebsriemens muss nach 2 Betriebsstunden eingestellt werden.

1. Lösen Sie die zwei Schrauben, und entfernen Sie die Antriebsriemenabdeckung.



- Lösen Sie die Kontermutter (A).



- Drehen Sie die Spannschraube, um den Druck der Seilrolle gegen den Antriebsriemen einzustellen. Die Spannung des Antriebsriemens ist korrekt, wenn die Frequenz des Antriebsriemens innerhalb des in *Technische Angaben auf Seite 87* angegebenen Intervalls liegt.
- Ziehen Sie die Kontermutter fest.
- Installieren Sie die Antriebsriemenabdeckung und ziehen Sie die zwei Schrauben fest.

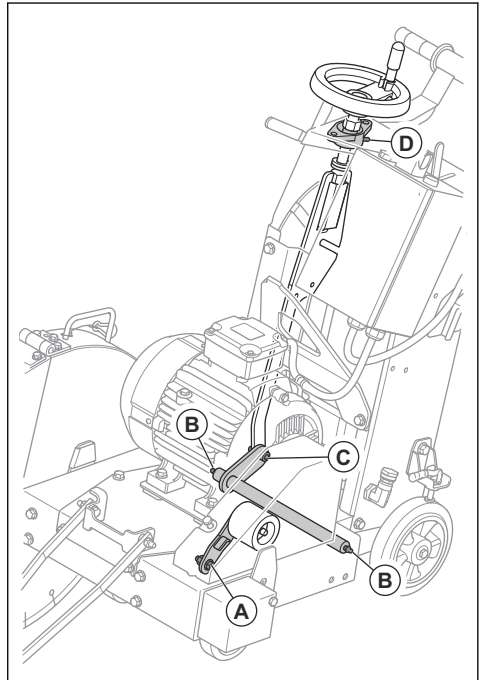
So schmieren Sie das Gerät

Hinweis: Der Hebel für das Schnitttiefeneinstellrad muss immer arretiert sein, wenn das Schnitttiefeneinstellrad nicht verwendet wird.

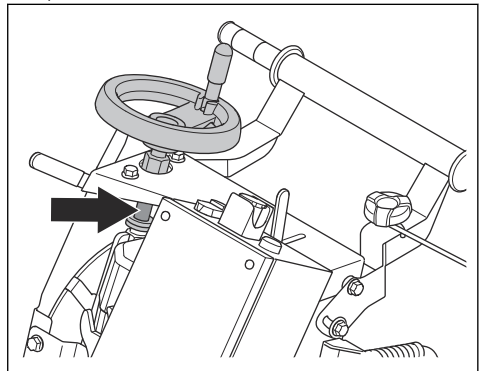
Schmieren Sie die folgenden Komponenten. Schmieren Sie, bis Schmierfett an den Kanten zu sehen ist. Das korrekte Schmierfett finden Sie unter *Technische Angaben auf Seite 87*.

- Schließen Sie die Schmierfett pistole an den Schmiernippel an.
- Schmieren Sie die Buchse (A) an der Antriebsriemenplatte mit einer Bürste.

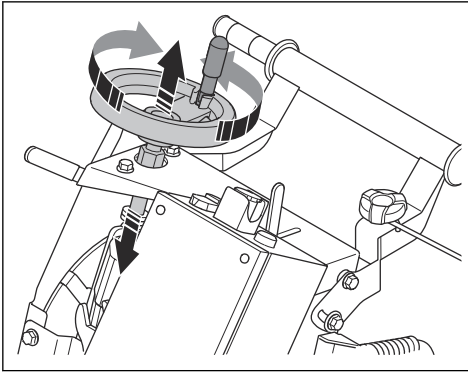
- Schmieren Sie die Hülsen (B) auf der linken und der rechten Seite des Geräts. Verwenden Sie eine Schmierfett pistole.



- Schmieren Sie die Achse (C) mit einer Bürste.
- Schmieren Sie die Schmierpunkte des Hebels der Schnitttiefeneinstellung (D). Verwenden Sie eine Schmierfett pistole.
 - Schmieren Sie die Achse unterhalb der Mutter.



- b) Drehen Sie das Schnitttiefeinstellrad wiederholt im bzw. gegen den Uhrzeigersinn, um gleichmäßig zu schmieren. Drücken Sie den Hebel, um das Schnitttiefeinstellrad zu arretieren.



Fehlerbehebung

Das Gerät springt nicht an

- Stellen Sie sicher, dass das Netzteil und die Stromkabel nicht beschädigt sind.
- Überprüfen Sie die Maschinen-Stopptaste und drehen Sie die Taste im Uhrzeigersinn, um sie zu lösen.
- Untersuchen Sie die Fehleranzeige. Siehe *Fehleranzeige auf Seite 85*.

Das Gerät hält plötzlich an

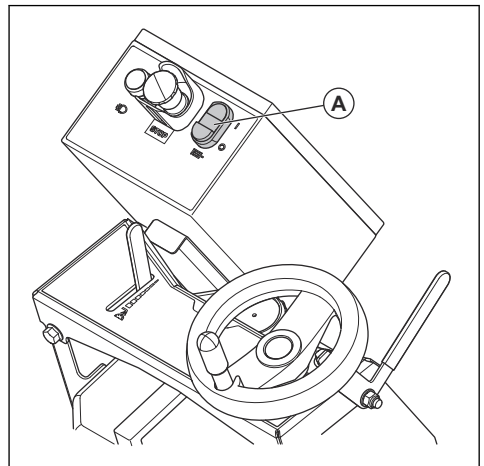
- Wenn die Arbeitsbelastung des Geräts zu hoch ist, löst der Motorschutz aus und stoppt den Motor. Siehe *Fehleranzeige auf Seite 85*.

Das Gerät stoppt beim Einschalten

Für eine gute Motorleistung ist eine korrekte Spannungsversorgung erforderlich. Zu lange Verlängerungskabel oder zu dünne Verlängerungskabel verringern die Leistung des Motors bei der Arbeit.

- Wenn die Arbeitsbelastung des Geräts zu hoch ist, löst der Motorschutz aus und stoppt den Motor. Siehe *Fehleranzeige auf Seite 85*.
- Stellen Sie sicher, dass Verlängerungskabel nicht zu lang oder zu klein bemessen sind. Versuchen Sie, das Gerät erneut zu starten.
- Stellen Sie sicher, dass sich die Trennscheibe frei bewegen kann.
- Wenn das Gerät bei Inbetriebnahme weiterhin stoppt, wenden Sie sich an eine autorisierte Servicewerkstatt.

Fehleranzeige

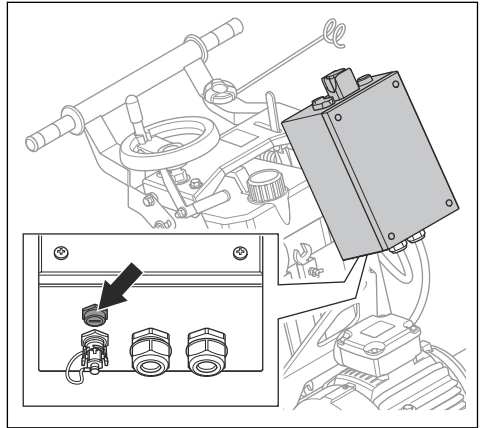
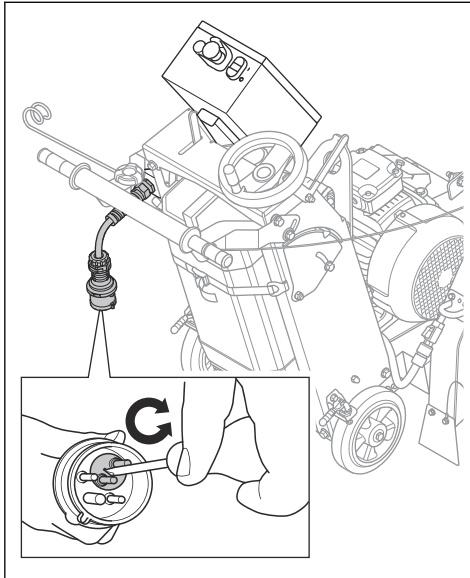


Die Fehleranzeige (A) erscheint in folgenden Situationen:

- Der Motor wurde überlastet. Der Motor stoppt.
- Es liegt ein Phasenfehler vor. Es ist erforderlich, den Netzstecker anzupassen.

Der Arbeitsscheinwerfer startet nicht

- Prüfen Sie die Sicherung für den Arbeitsscheinwerfer. Wenn die Sicherung defekt ist, ersetzen Sie sie durch eine korrekte Sicherung. Siehe *Technische Daten auf Seite 87*.



Lassen Sie den Motorschutz abkühlen und die Fehleranzeige erlöschen, bevor Sie den Motor erneut starten. Sie müssen ca. 60 Sekunden warten.

Transport, Lagerung und Entsorgung

Transport

- Entfernen Sie die Trennscheibe vor dem Transport.
- Dieses Gerät ist schwer. Seien Sie vorsichtig, wenn Sie das Gerät anheben; es besteht Verletzungsgefahr. Siehe *So heben Sie das Gerät an auf Seite 86*.
- Halten Sie die besonderen Anforderungen für gewerbliche Transporte ein.
- Sichern Sie das Gerät während des Transports. Sorgen Sie dafür, dass sich das Gerät während des Transports nicht bewegen kann.

So heben Sie das Gerät an



WARNUNG: Stellen Sie sicher, dass das Hebezeug korrekt bemessen ist. Das Typenschild des Geräts zeigt das Gerätegewicht.



WARNUNG: Vergewissern Sie sich, dass die Huböse nicht beschädigt ist.



WARNUNG: Laufen bzw. stehen Sie nicht unterhalb oder in der Nähe eines hängenden Geräts.

- Verwenden Sie das korrekte Hebezeug, um das Gerät anzuheben. Heben Sie das Gerät nicht manuell an.
- Verwenden Sie zum Anheben eine am Gerät befestigte Huböse.
- Tragen Sie Stiefel mit Stahlkappen und rutschfesten Sohlen.

Lagerung des Geräts

- Bewahren Sie das Gerät in einem verschlossenen Bereich auf, um einen unerlaubten Zugriff durch Kinder oder andere Personen zu verhindern.
- Lagern Sie das Gerät immer in überdachten Räumen.
- Bewahren Sie das Gerät in an einem trockenen und frostfreien Bereich auf.
- Entfernen Sie die Trennscheibe nach dem Betrieb vom Produkt. Wenn Sie die Trennscheibe einlagern, muss diese trocken sein.
- Bewahren Sie das Gerät auf einer flachen, ebenen Fläche auf.

Entsorgung

Durch Symbole auf dem Gerät oder seiner Verpackung wird angezeigt, dass dieses Gerät nicht über den Hausmüll entsorgt werden darf. Es ist einer entsprechenden Recycling-Einrichtung zuzuführen, damit elektrische und elektronische Komponenten wiedergewonnen werden können.

Dadurch, dass Sie sicherstellen, dass Sie mit diesem Gerät sorgfältig umgehen, können Sie helfen, den

potentiellen negativen Auswirkungen auf die Umwelt und Ihre Mitmenschen entgegenzuwirken, die sich andernfalls durch eine unsachgemäße Entsorgung dieses Geräts ergeben können. Genauere Informationen über die ordnungsgemäße Entsorgung dieses Geräts erhalten Sie bei Ihrer Stadtverwaltung, Ihrem Abfallentsorgungsunternehmen oder dem Geschäft, in dem Sie Ihr Gerät gekauft haben.

Technische Angaben

Technische Daten

Motorleistung, kW	7,5
Nennspannung, V AC bei Frequenz, Hz	3–400 bei 50 (CE) 3–415 bei 50 (AUS)
Nennstrom, A	15
Netzstecker	CEE, 3~, 16 A (CE) 56P420, 20 A, 500 V (AUS)
Max. Trennscheibendurchmesser, mm	600
Max. Schnitttiefe, mm	240
Drehzahl der Spindel (bei einer Nennmotordrehzahl von 2925 U/min), U/min	1765
Dorndurchmesser, mm	25,4
Durchmesser des Trennscheibenflansches, mm	116
Max. Wasserdruck, bar	6
Nenngewicht (unverpackt), kg	178
Maximales Betriebsgewicht ohne Wassertank, kg	183
Maximales Betriebsgewicht mit vollem Wassertank, kg	214
Schmierfett	DIN 51825 Schmierfett der Klasse K2K-30 oder K3K-30
Korrekte Riemenspannung, Hz	88-93
Ausgang für den Arbeitsscheinwerfer, V DC	24
Sicherung für den Arbeitsscheinwerfer, A	4 (5x20 mm)
Drehmoment der Trennscheibenschraube, Nm/ft lbs	100/74

Schallpegel

Lärm- und Vibrationsemissionen	
Schalleistungspegel L_{WA} gemessen, dB (A)	105
Schalleistungspegel L_{WA} (garantiert), dB (A) ⁷	107
Schalldruckpegel am Ohr des Bedieners, dB (A) ⁸	83
Vibrationspegel a_{hv} , m/s^2 , rechter/linker Handgriff ⁹	2,6/3,1

Konformitätserklärung für Geräusche und Vibrationen

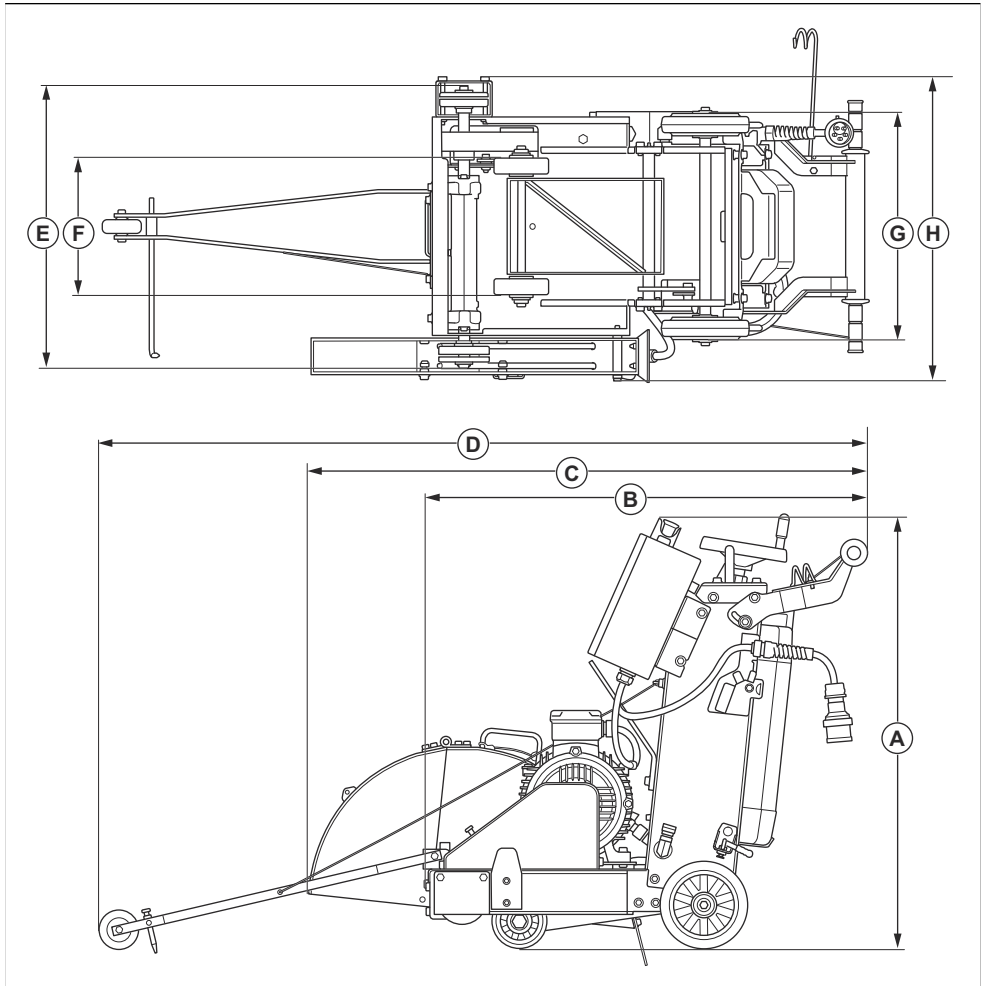
Diese erklärten Werte wurden in Laborversuchen in Übereinstimmung mit der aufgeführten Richtlinie oder Norm ermittelt und eignen sich für einen Vergleich mit Wertdeklarationen anderer Produkte, die nach der gleichen Richtlinie bzw. Norm geprüft wurden. Diese Wertdeklarationen eignen sich nicht zur Verwendung in Risikobewertungen, zudem können die an einzelnen Arbeitsplätzen gemessenen Werte höher sein. Die tatsächlichen Belastungswerte und das Gefährdungsrisiko eines individuellen Benutzers sind immer spezifisch und davon abhängig, wie der Benutzer arbeitet, in welchem Material das Produkt eingesetzt wird, sowie von der Belastungszeit, dem Gesundheitszustand des Benutzers und dem Gerätezustand.

⁷ Umweltbelastende Geräuschemissionen, gemessen als Schalleistung (L_{WA}) gemäß EG-Richtlinie 2000/14/EG. Der Unterschied zwischen garantiertem und gemessenem Schalleistungspegel besteht darin, dass beim garantierten Schalleistungspegel auch eine Streuung im Messergebnis und Variationen zwischen verschiedenen Geräten desselben Modells gemäß der Richtlinie 2000/14/EG berücksichtigt werden.

⁸ Schalldruckpegel gemäß EN 13862. Berichten zufolge liegt der Schalldruckpegel normalerweise bei einer Ausbreitungsklasse (standardmäßige Ausbreitung) von 2,5 dB (A)

⁹ Vibrationspegel gemäß EN 13862. Berichten zufolge liegt der Vibrationspegel normalerweise bei einer Ausbreitungsklasse (Standardabweichung) von 1 m/s^2 .

Gerätemaße



A	Höhe, mm	985	E	Min. Breite (Trennscheibenschutz nicht montiert), mm	645
B	Min. Länge (Leitrad oben und Trennscheibenschutz oder Trennscheibe nicht montiert), mm	1010	F	Vorderradbreite, mm	320
D	Länge (Leitrad oben und Trennscheibenschutz montiert), mm	1275	G	Hinterradbreite, mm	520

D	Max. Länge (Leitrad unten), mm	1750	H	Max. Breite (Trennscheiben- schutz nicht montiert), mm	700
----------	-----------------------------------	------	----------	---	-----

Zubehör

Zugelassenes Husqvarna Zubehör

- Beleuchtungssatz.
- Wassertank.

Konformitätserklärung

EU-Konformitätserklärung

Die Husqvarna AB, SE561 82 Huskvarna, Schweden,
Tel.: +46 36-146500, erklärt in alleiniger Verantwortung,
dass das Gerät:

Beschreibung	Fugenschneider
Marke	HUSQVARNA
Typ/Modell	FS 600 E
Identifizierung	Seriennummern ab 2021

die folgenden EU-Vorschriften und -Richtlinien erfüllt:

Richtlinie/Vorschrift	Beschreibung
2006/42/EC	„Maschinenrichtlinie“
2014/30/EU	„EMV-Richtlinie“
2000/14/EC	„Richtlinie über umweltbelastende Geräuschemissionen“
2011/65/EU	„zur Beschränkung der Verwendung bestimmter gefährlicher Stoffe“

und dass die folgenden Normen und/oder technischen
Daten angewendet werden;

EN ISO 12100:2010

EN 13862:2001+A1:2009

EN 55014-1:2021

EN 61000-6-2:2019

EN 61000-3-2:2019+A1:2021

EN 61000-3-3:2013+A1:2019

EN IEC 63000:2018

Konformitätsbewertungsverfahren gemäß 2000/14/EC:
Anhang V.

Informationen zu Geräuschemissionen finden Sie unter
Technische Angaben auf Seite 87.

Partille, 2021-12-08

Erik Silfverberg

Leiter F&E-Abteilung, Ausrüstung zum Sägen und
Bohren von Beton

Husqvarna AB, Construction Division

Verantwortlich für die technische Dokumentation



Contenido

Introducción.....	92	Transporte, almacenamiento y eliminación.....	117
Seguridad.....	96	Datos técnicos.....	117
Funcionamiento.....	102	Accesorios.....	120
Mantenimiento.....	112	Declaración de conformidad.....	121
Resolución de problemas.....	115		

Introducción

Descripción del producto

Este producto es una cortadora de suelos eléctrica de empuje manual.

Uso previsto

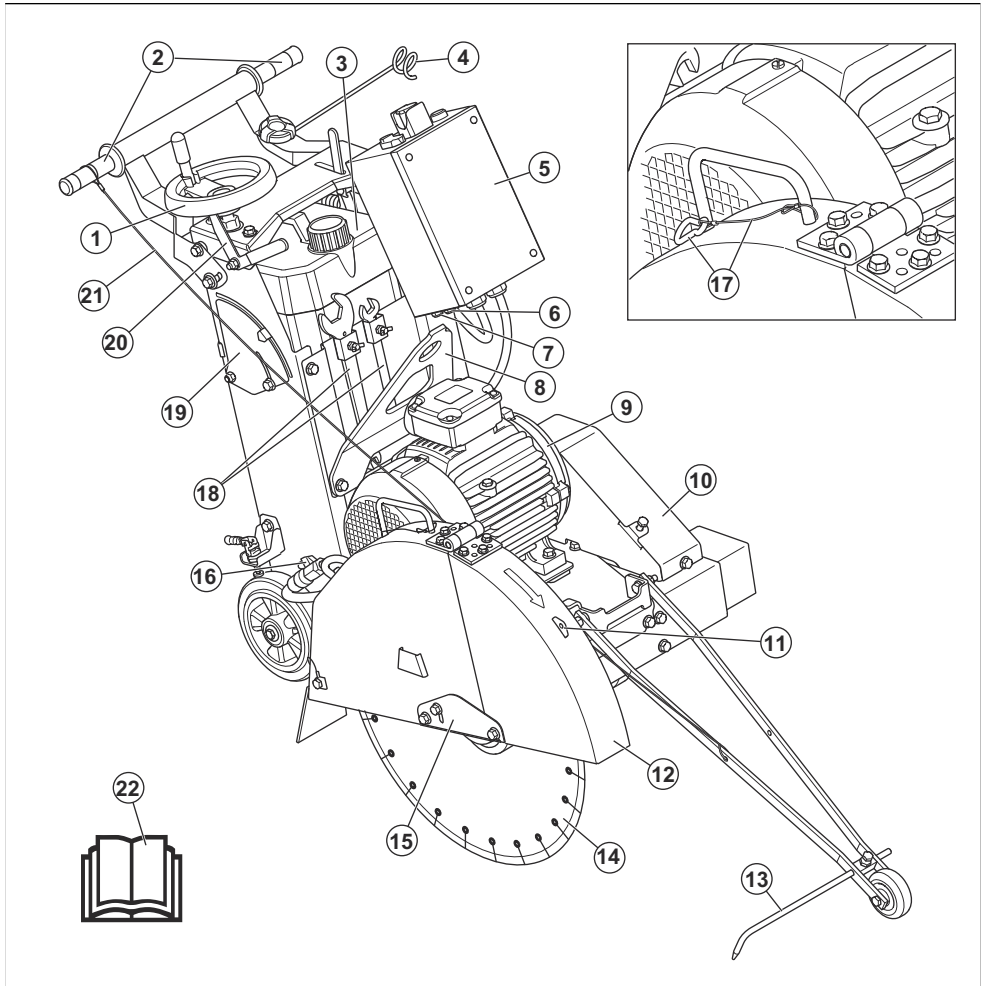
Este producto se usa con discos de diamante para corte en húmedo de suelos de material duro como hormigón,

asfalto y piedra. Cualquier otro uso se considera inadecuado.

Está destinado a aplicaciones industriales y solo podrán usarlo operarios con experiencia.

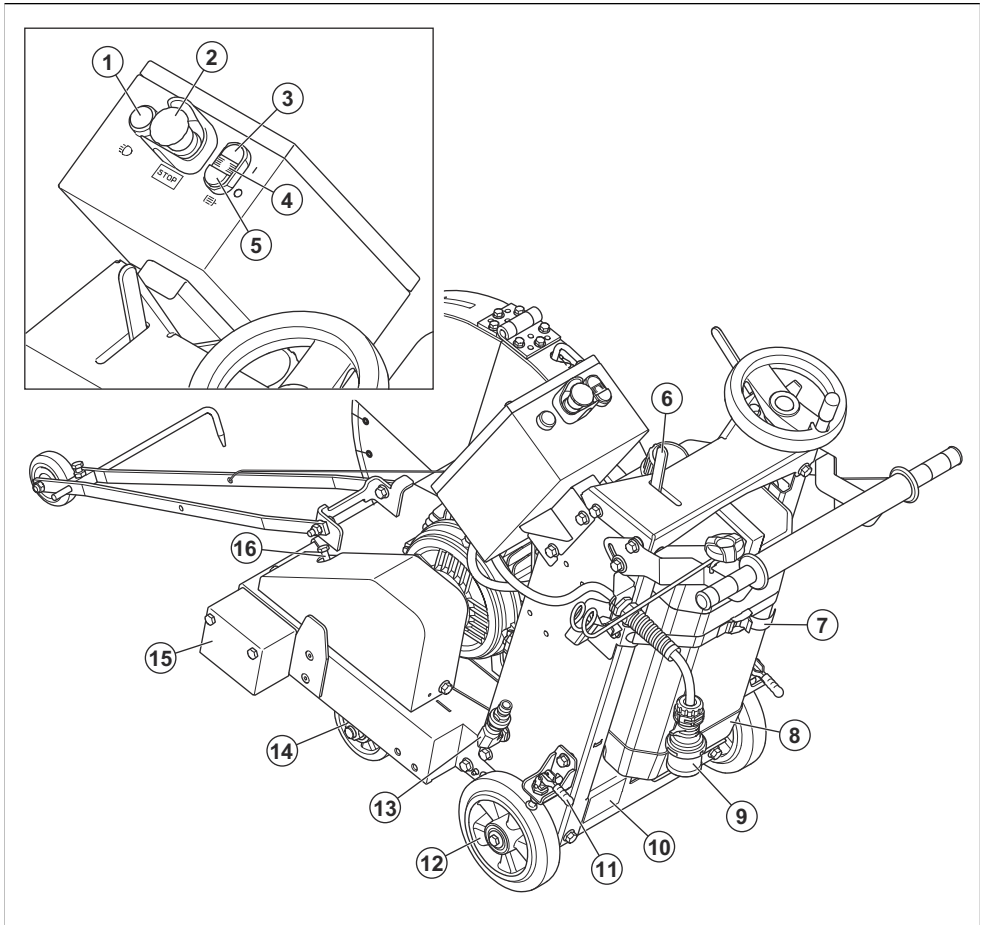
No lo use en exteriores ni en superficies húmedas; este producto solo está previsto para su uso en interiores.

Descripción del producto (lado derecho)



- | | |
|--|---|
| 1. Rueda de profundidad de corte | 12. Protección del disco |
| 2. Mango | 13. Puntero |
| 3. Depósito de agua y tapa (opcional) | 14. Disco (no incluido) |
| 4. Cable y guía para la manguera | 15. Seguro de la protección del disco |
| 5. Caja eléctrica | 16. Grifo de agua |
| 6. Fusible de la luz de trabajo | 17. Cable y mosquetón |
| 7. Salida de la luz de trabajo | 18. Herramientas de mantenimiento |
| 8. Argolla de suspensión | 19. Indicador de la profundidad de corte |
| 9. Motor | 20. Palanca para bloquear la profundidad de corte |
| 10. Cubierta de la correa de transmisión | 21. Cuerda del puntero |
| 11. Soporte para el mosquetón | 22. Manual de usuario |

Descripción del producto (lado izquierdo)



1. Interruptor para luces de trabajo (kit de luces opcional)
2. Botón STOP de la máquina
3. Botón de encendido
4. Indicador de error
5. Botón de apagado
6. Válvula de agua
7. Correa para el depósito de agua
8. Depósito de agua (opcional)
9. Enchufe
10. Placa de características
11. Freno de estacionamiento
12. Rueda trasera
13. Entrada de agua y filtro de agua
14. Rueda delantera

15. Cubierta de brida
16. Tornillo tensor, correa de transmisión

Símbolos que aparecen en el producto



ADVERTENCIA: Este producto puede ser peligroso y ocasionar daños graves o mortales tanto al usuario como a cualquier otra persona. Tenga cuidado y utilice el producto correctamente.



Lea atentamente el manual de usuario y asegúrese de que entiende las instrucciones antes de utilizar este producto.



Riesgo de lesiones por corte. Mantenga cualquier parte del cuerpo alejada del disco de corte.



Mantenga las partes del cuerpo alejadas del disco de corte y de otras piezas móviles.



Asegúrese de que el disco de corte no está desafilado ni presenta daños, como grietas.



El producto debe tener siempre instaladas las protecciones del disco. No deje que se vea el disco de corte más de 180°.



Compruebe que el disco de corte pueda usarse a una velocidad igual o superior a la indicada en el producto. Si se acciona a una velocidad demasiado alta, el disco de corte puede romperse y provocar lesiones o daños.



ADVERTENCIA: El polvo puede causar problemas de salud. Utilice protección respiratoria homologada. Asegúrese siempre de que hay una ventilación adecuada.



ADVERTENCIA: No mire directamente a la luz. Esta advertencia sólo se aplica cuando el kit de luz está instalado.



Utilice protectores auriculares, así como protección ocular y respiratoria. Consulte la sección *Equipo de protección personal en la página 99*.



Riesgo de descarga eléctrica: Las tareas de inspección y mantenimiento deben realizarse con el motor apagado y el enchufe desconectado.



Todos los desplazamientos que se realicen fuera del área de corte se harán con la herramienta detenida.



Retire el disco antes de transportar o al levantar, mover o retirar el producto.



La flecha de la protección del disco muestra la dirección en la que gira el disco de corte.



Ponga o quite los frenos de estacionamiento.



Llene el depósito solo con agua.



Válvula de los sistemas de refrigeración por agua del disco de corte.



Control de elevación/descenso para ajustar la profundidad de corte.



Levante siempre el producto por el punto de elevación.



Puesta a tierra de protección.



Botón de encendido.



Botón de apagado.



Botón STOP de la máquina.



Interruptor para luces de trabajo.



Botón de encendido/apagado del motor, indicador de error.



Etiqueta de emisiones sonoras en el entorno conforme a las normas y las directivas de la UE y Reino Unido. El nivel de potencia acústica garantizado del producto se especifica en el apartado *Niveles acústicos en la página 118*, en *Declaración de conformidad en la página 121* y en la etiqueta.



Riesgo de descarga eléctrica. Este equipo debe ser reparado únicamente por personal autorizado.



Este producto cumple con las directivas CE vigentes.



Este producto cumple con las directivas del Reino Unido vigentes.



El producto o su embalaje no son residuos domésticos. Recíclalo en una ubicación homologada para la eliminación de equipos eléctricos y electrónicos.

1. Fabricante
2. Dirección del fabricante
3. Código QR escaneable
4. Designación de tipo
5. Referencia
6. Número de serie
7. Peso del producto, kg
8. Fecha de fabricación, año/mes
9. Voltaje: Corriente alterna trifásica, V
10. Frecuencia, Hz
11. Corriente nominal, A
12. Potencia del motor, kW
13. Diámetro máximo del disco, mm
14. Velocidad máxima del eje, n/min
15. Más información

Responsabilidad sobre el producto

Como se estipula en las leyes de responsabilidad del producto, no nos hacemos responsables de los daños y perjuicios causados por nuestro producto si:

- El producto se ha reparado incorrectamente.
- El producto se ha reparado con piezas que no eran del fabricante o no autorizadas por el fabricante.
- El producto tiene un accesorio que no es del fabricante o no está autorizado por este.
- El producto no se ha reparado en un centro de servicio autorizado o por un organismo homologado.

Placa de características

1 Husqvarna®		2	3
4	Husqvarna AB, S-561 82, Husqvarna, Sweden	5	
ARTICLE NO.		Made in China	
SERIAL NO. (HID)		6	
7	9	12	
8	10	13	Ø
	11	14	
15			

Seguridad

Definiciones de seguridad

Las advertencias, precauciones y notas se utilizan para destacar información especialmente importante del manual.



ADVERTENCIA: Indica un riesgo de lesiones o incluso de muerte del usuario o de las personas cercanas si no se respetan las instrucciones del manual.



PRECAUCIÓN: Indica un riesgo de daños en el producto, otros materiales o el área adyacente si no se respetan las instrucciones del manual.

Nota: Se usa para proporcionar más información necesaria en una situación determinada.

Advertencias generales de seguridad relacionadas con la herramienta eléctrica



ADVERTENCIA: Lea todas las advertencias de seguridad, instrucciones, ilustraciones y especificaciones que se suministran con esta herramienta eléctrica. Si no se siguen las instrucciones que aparecen a continuación, puede producirse una descarga eléctrica, un incendio o lesiones graves.

Conservar todas las advertencias e instrucciones para su consulta. El término «herramienta eléctrica» empleado en las advertencias hace referencia a una herramienta eléctrica que funciona con conexión a la red de suministro (con cable) o a una herramienta que funciona con batería (sin cable).

Seguridad en el área de trabajo

- **Mantenga el área de trabajo limpia y bien iluminada.** Las zonas abarrotadas de cosas u oscuras favorecen los accidentes.
- **No maneje herramientas eléctricas en ambientes explosivos como aquellos en los que hay líquidos, gases o polvo inflamables.** Las herramientas eléctricas producen chispas que pueden inflamar el polvo o los vapores.
- **Mantenga alejados a los niños y a otras personas mientras trabaje con una herramienta eléctrica.** Las distracciones pueden hacer que pierda el control de esta.

Seguridad eléctrica

- **Los enchufes de las herramientas eléctricas deben corresponder a la toma de corriente utilizada. Nunca modifique el enchufe. No utilice ningún enchufe adaptador.** Use enchufes sin modificar y tomas de corriente del mismo tipo que estos para reducir el riesgo de descarga eléctrica.
- **Evite el contacto de su cuerpo con superficies puestas a tierra como tuberías, radiadores, cocinas y neveras,** ya que esto aumenta el riesgo de descarga eléctrica.
- **No exponga las herramientas eléctricas a la lluvia o a ambientes húmedos.** El riesgo de recibir descargas eléctricas aumentará si penetra agua en la herramienta eléctrica.
- **Maneje el cable con cuidado. No lo utilice nunca para transportar la herramienta eléctrica ni tire de él para desenchufarla. Manténgalo alejado de fuentes de calor, aceite, aristas vivas o piezas móviles.** Los cables dañados o enredados incrementan el riesgo de descarga eléctrica.
- **Cuando trabaje con una herramienta eléctrica en exteriores, utilice un alargador indicado para este uso.** El uso de un cable adecuado para su uso en exteriores reduce el riesgo de descarga eléctrica.
- **Al usar una herramienta eléctrica, utilice un suministro eléctrico protegido con un interruptor diferencial.** La utilización de un interruptor diferencial reduce el riesgo de descargas eléctricas.
- **Asegúrese de que la tensión de la red eléctrica coincide con la que figura en la placa de características del producto.** Consulte la sección *Placa de características en la página 96.*

Seguridad personal

- **Esté siempre atento, fíjese en lo que está haciendo y utilice el sentido común cuando maneje una herramienta eléctrica. No utilice herramientas eléctricas si está cansado o bajo los efectos de estupefacientes, alcohol o medicamentos.** Un momento de descuido, mientras se trabaja con herramientas eléctricas, puede causar lesiones graves.

- **Utilice el equipo de protección individual. Protéjase siempre los ojos.** El equipo de protección, como la mascarilla antipolvo, los zapatos de seguridad antideslizantes, el casco o los protectores auditivos, utilizados en función de las condiciones de trabajo, reducirá el riesgo de lesiones.
- **Evite el encendido accidental de la herramienta. Asegúrese de que el interruptor está en la posición de apagado antes de conectar la máquina a la fuente de alimentación o la batería, cogerla o transportarla.** Transportar herramientas eléctricas con el dedo puesto sobre el interruptor o encenderlas con el interruptor en la posición de encendido puede provocar accidentes.
- **Quite todas las clavijas de ajuste o llaves de tuercas antes de encender la herramienta eléctrica.** Una llave de tuercas o clavija de ajuste que se ha dejado colocada en una pieza giratoria de la herramienta eléctrica puede causar lesiones.
- **No se estire demasiado. Mantenga una posición correcta y el equilibrio en todo momento.** Esto le permitirá controlar mejor la herramienta eléctrica en situaciones imprevistas.
- **Utilice la ropa adecuada. No utilice nunca ropa amplia ni joyas. Mantenga el pelo y la ropa alejados de las piezas móviles.** La ropa holgada, las joyas o el pelo largo pueden quedar atrapados en las piezas móviles.
- **Si se suministran equipos de aspiración o captación de polvo, asegúrese de que estén conectados y se utilicen correctamente.** El uso de estos equipos puede reducir los riesgos derivados del polvo.
- **Evite que la familiaridad adquirida con el uso frecuente de las herramientas le lleve a confiarse e ignorar las medidas de seguridad al utilizarlas.** Una acción negligente puede causar lesiones graves en una fracción de segundo.

Uso y cuidado de la herramienta eléctrica

- **No sobrecargue la herramienta eléctrica. Utilice la herramienta eléctrica adecuada para el trabajo que debe realizar.** Con la herramienta eléctrica apropiada hará el trabajo mejor y con mayor seguridad a la potencia para la que fue diseñada.
- **No utilice la herramienta eléctrica si el interruptor no funciona.** Las herramientas que no se puedan controlar con el interruptor son peligrosas y deben repararse.
- **Desconecte el enchufe de la fuente de alimentación o quite la batería (si se puede desmontar) de la herramienta eléctrica antes de realizar cualquier ajuste, cambiar accesorios o guardarla.** Estas medidas de seguridad preventivas reducen el riesgo de encendido accidental de la herramienta eléctrica.
- **Guarde las herramientas eléctricas que no se utilicen fuera del alcance de los niños y no permita que personas no familiarizadas con su uso o con estas instrucciones las manejen.** Las herramientas

eléctricas resultan peligrosas en manos de usuarios no cualificados.

- **Compruebe que las herramientas eléctricas y los accesorios están a punto. Compruebe que no haya partes móviles mal alineadas o trabadas, piezas rotas o cualquier otra circunstancia que pueda afectar al funcionamiento de la herramienta eléctrica. Si detecta daños, haga reparar la herramienta eléctrica antes de utilizarla.** Muchos accidentes se deben al uso de herramientas eléctricas que carecen de un mantenimiento adecuado.
- **Mantenga las herramientas de corte afiladas y limpias.** Las herramientas de corte con aristas afiladas y un mantenimiento adecuado tienen menos probabilidades de trabarse y son más fáciles de controlar.
- **Utilice la herramienta eléctrica, los accesorios, útiles, etc. según se indica en estas instrucciones, teniendo en cuenta las condiciones de trabajo y la tarea que debe realizar.** El uso de la herramienta eléctrica para trabajos distintos a aquellos para los que fue diseñada podría dar lugar a situaciones peligrosas.
- **Mantenga los mangos y superficies de agarre secos, limpios y sin aceite ni grasa.** Las superficies de agarre y los mangos resbaladizos no permiten manejar y controlar de forma segura la herramienta ante cualquier imprevisto.

Servicio técnico

- **Solicite que su herramienta eléctrica sea reparada por personal cualificado y utilizando únicamente piezas de repuesto originales.** Esto garantizará la seguridad de la herramienta.

Instrucciones generales de seguridad



ADVERTENCIA: Lea las siguientes instrucciones de advertencia antes de utilizar el producto.

- Este producto es una herramienta peligrosa si no se usa con cuidado o si se utiliza de forma incorrecta. Este producto puede ocasionar lesiones graves o mortales tanto al operador como a cualquier otra persona. Antes de usar el producto, lea detenidamente el contenido del manual de usuario.
- Respete todas las advertencias e instrucciones.
- Obedezca la legislación y la normativa vigentes.
- El usuario y el empleador deben conocer y prevenir los riesgos durante el funcionamiento del producto.
- No permita que nadie utilice el producto a menos que haya leído y comprendido el contenido del manual de usuario.
- No utilice el producto a menos que haya recibido formación al respecto. Asegúrese de que todos los usuarios reciben formación.
- No deje que un niño maneje el producto.

- Solo las personas autorizadas pueden manejar el producto.
- El usuario es responsable de los accidentes que puedan sufrir otras personas o sus bienes.
- No utilice el producto si está cansado, enfermo o si se encuentra bajo los efectos de alcohol, drogas o medicamentos.
- Proceda siempre con cuidado y utilice siempre el sentido común.
- Este producto genera un campo electromagnético durante el funcionamiento. Este campo puede, en determinadas circunstancias, interferir en implantes médicos activos o pasivos. Para reducir el riesgo de daños graves o mortales, recomendamos que las personas que utilizan implantes médicos consulten a su médico y al fabricante del implante antes de usar este producto.
- Mantenga el producto limpio. Asegúrese de que puede leer claramente las etiquetas.
- No utilice el producto si está defectuoso.
- No modifique el producto.
- No utilice el producto si sospecha que alguien ha podido modificarlo.

Instrucciones de seguridad para el funcionamiento



ADVERTENCIA: Lea las siguientes instrucciones de advertencia antes de utilizar el producto.

- Lea las instrucciones de advertencia facilitadas por el fabricante del disco de corte.
- Conecte el producto únicamente a una fuente de alimentación que esté protegida por el fusible o disyuntor correspondiente, de como máximo 30 A.
- Asegúrese de que el producto está montado correctamente.
- No use el producto sin la protección del disco y las cubiertas protectoras correctamente instaladas y colocadas.
- No utilice el producto con la protección del disco levantada. La parte delantera de la protección del disco debe estar bajada y correctamente fijada y trabada.
- Un uso inadecuado del producto puede provocar la rotura del disco de corte, lo cual puede ocasionar lesiones o daños.
- Asegúrese de que sabe cómo detener el motor rápidamente en caso de emergencia.
- Utilice el equipo de protección personal. Consulte la sección *Equipo de protección personal en la página 99*.
- Asegúrese de que solo haya personas autorizadas en la zona de trabajo.
- Asegúrese de que los cables eléctricos presentes en la zona de trabajo no tengan corriente.

- Antes de usar el producto, averigüe si hay tuberías o cables ocultos en la zona de trabajo. Si el producto se topa con un objeto oculto, detenga el motor de inmediato y examine el producto y el objeto. No reanude las operaciones con el producto sin cerciorarse antes de que sea seguro seguir trabajando.
- Mantenga siempre una posición estable y segura mientras realiza la actividad.
- El producto puede provocar que salgan objetos despedidos a gran velocidad. Asegúrese de que todas las personas presentes en la zona de trabajo utilicen los correspondientes equipos de protección personal autorizados. Retire los objetos sueltos de la zona de trabajo.
- Si va a alejarse del producto, pare el motor y asegúrese de que no pueda ponerse en marcha de manera accidental.
- No deje desatendido el producto sin haber aplicado los frenos de estacionamiento.
- Tenga mucho cuidado cuando trabaje en pendientes. El producto pesa mucho y puede ocasionar daños graves si se cae o si se mueve demasiado rápido.
- Asegúrese de que no haya elementos que puedan soltarse y provocar lesiones al usuario.
- Evite que la ropa, cabello largo y joyas queden atrapados en piezas móviles.
- No utilice el producto si no puede recibir ayuda en caso de accidente.
- Aleje el depósito de agua a una distancia segura del producto mientras lo llena.

Instrucciones sobre conexión a tierra del producto



ADVERTENCIA: Una conexión incorrecta puede provocar descargas eléctricas. Póngase en contacto con un electricista cualificado si no está seguro de si la toma de corriente está conectada a tierra correctamente.

No modifique el enchufe y manténgalo según sus especificaciones de fábrica. Si el enchufe o el cable de alimentación están dañados o necesitan cambiarse, póngase en contacto con su taller de servicio de Husqvarna. Siga las instrucciones y normativas locales.

Si no comprende perfectamente estas instrucciones sobre conexión a tierra del producto, póngase en contacto con un electricista cualificado.

Utilice únicamente cables alargadores con conexión a tierra en exteriores, así como una toma de tierra compatible con el enchufe del producto.

El producto cuenta con un cable de alimentación y un enchufe con conexión a tierra. Conecte siempre el producto a una toma de corriente con toma a tierra. De esta forma, se reduce el riesgo de descarga eléctrica si se produce una avería.

No utilice adaptadores eléctricos con el producto.

Equipo de protección personal



ADVERTENCIA: Lea las siguientes instrucciones de advertencia antes de utilizar el producto.

- Para trabajar con el producto, debe utilizar siempre un equipo de protección personal homologado. El equipo de protección personal no elimina completamente el riesgo de lesiones, pero reduce la gravedad de las lesiones en caso de accidente. Deje que el distribuidor le ayude a seleccionar el equipo de protección personal adecuado.
- Compruebe periódicamente el estado del equipo de protección personal.
- Utilice un casco protector homologado.
- Utilice protección auditiva homologada.
- Utilice protección respiratoria homologada.
- Utilice protección ocular homologada con protección lateral. El riesgo de sufrir lesiones oculares provocadas por objetos que salen despedidos es alto.
- Utilice guantes protectores.
- Use botas con puntera de acero y suela antideslizante.
- Utilice una indumentaria de trabajo homologada o ropa ceñida equivalente con manga larga y pantalón largo.

Extintor

- Tenga siempre a mano un extintor mientras trabaja.
- Utilice un extintor de polvo o un extintor de dióxido de carbono.

Dispositivos de seguridad en el producto

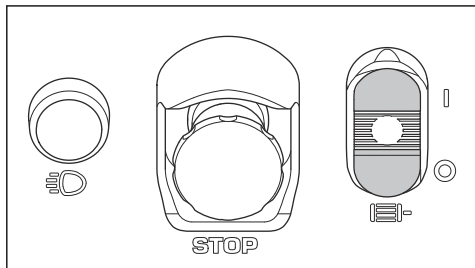


ADVERTENCIA: Lea las siguientes instrucciones de advertencia antes de utilizar el producto.

- No utilice un producto que tenga dispositivos de seguridad defectuosos.
- Realice una comprobación de los dispositivos de seguridad con frecuencia. Si los dispositivos de seguridad están defectuosos, hable con su taller de servicio Husqvarna.

Botones de encendido y apagado

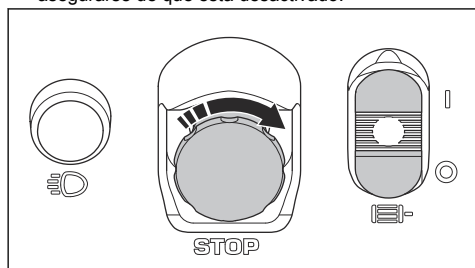
El botón de encendido (I) y el botón de apagado (0) se utilizan para arrancar y detener el motor.



Comprobación de los botones de encendido y apagado

Nota: Si el producto no arranca, consulte *El producto no arranca en la página 115*.

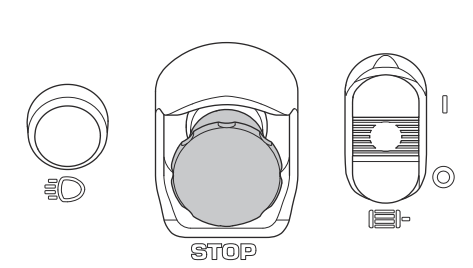
1. Desconecte el producto de la toma de corriente.
2. Asegúrese de que el disco de corte está ligeramente por encima del nivel del suelo.
3. Asegúrese de que el disco de corte y la brida del disco estén bien sujetos y de que la protección del disco esté instalada correctamente. Consulte *Instalación de un disco de corte en la página 103* y *Para instalar la protección del disco en la página 105*.
4. Conecte el producto con un cable alargador a la toma de corriente.
5. Gire el botón STOP hacia la derecha para asegurarse de que está desactivado.



6. Pulse el botón de encendido/apagado para poner en marcha (posición "I") el producto.
7. Espere 5 segundos para que el producto alcance la velocidad adecuada.
8. Gire el interruptor de encendido/apagado a la posición "0" y asegúrese de que el motor se detiene.

Botón STOP de la máquina

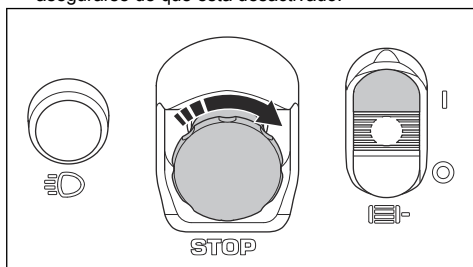
El botón STOP de la máquina detiene el motor. El botón STOP de la máquina no apaga las luces.



Nota: No utilice el botón STOP de la máquina para detener el producto a menos que haya una emergencia. Para conocer el procedimiento correcto para parar el producto durante su uso, consulte *Parada del producto en la página 110*.

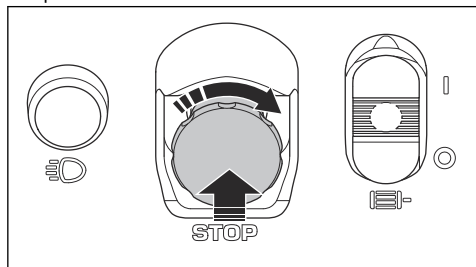
Comprobación del botón STOP de la máquina

1. Desconecte el producto de la toma de corriente.
2. Asegúrese de que el disco de corte está ligeramente por encima del nivel del suelo.
3. Asegúrese de que el disco de corte y la brida del disco estén bien sujetos y de que la protección del disco esté instalada correctamente. Consulte *Instalación de un disco de corte en la página 103* y *Para instalar la protección del disco en la página 105*.
4. Conecte el enchufe del producto en la toma de corriente.
5. Gire el botón STOP hacia la derecha para asegurarse de que está desactivado.



6. Pulse el botón de encendido/apagado para poner en marcha (posición "I") el producto.

7. Pulse el botón STOP de la máquina y asegúrese de que el motor se detiene.



8. Gire el botón STOP de la máquina hacia la derecha para desactivar el producto.

Protección del disco



ADVERTENCIA: No utilice el producto si la protección del disco está defectuosa o no está colocada. Compruebe que la protección del disco está instalada y bien montada antes de poner en marcha el producto.

La protección del disco impide que salgan despedidas hacia el usuario partes del disco o del material cortado.

Comprobación de la protección del disco

- Asegúrese de que la protección del disco está correctamente instalada y bien fijada. Consulte la sección *Para instalar la protección del disco en la página 105*.
- Compruebe si la protección del disco presenta daños como, por ejemplo, grietas.
- Sustituya la protección del disco si está dañada.
- Si la protección del disco ha recibido algún golpe fuerte, está doblada o presenta cualquier otro tipo de daños, cámbiela.

Cubierta de la correa de transmisión

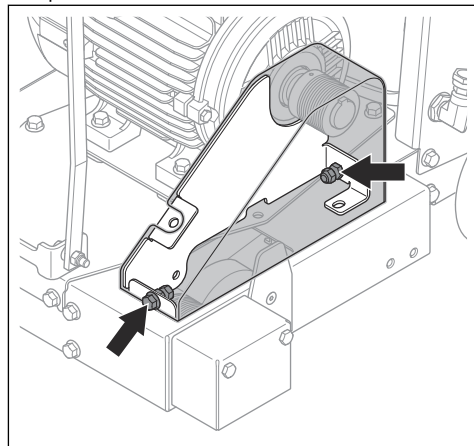


ADVERTENCIA: No utilice el producto si la cubierta de la correa de transmisión está defectuosa o no está instalada. Compruebe que la cubierta de la correa de transmisión está instalada y bien montada antes de poner en marcha el producto.

La cubierta de la correa de transmisión ofrece protección contra las poleas y la correa de transmisión.

Comprobación de la cubierta de la correa de transmisión

- Asegúrese de que la cubierta de la correa de transmisión no esté dañada ni agrietada. Si es necesario, sustitúyala.
- Asegúrese de que los 2 tornillos de la cubierta de la correa de transmisión están instalados y bien apretados.



Instrucciones de seguridad para el mantenimiento

- Mantenga todas las piezas en buen estado y asegúrese de que todos los componentes fijos están bien apretados.
- No utilice un producto defectuoso. Lleve a cabo las comprobaciones de seguridad y siga las instrucciones de mantenimiento y servicio descritas en este manual. Todos los demás trabajos de mantenimiento deben llevarse a cabo en un taller de servicio autorizado.
- Pare el motor y desconecte el enchufe de alimentación cuando vaya a sustituir útiles de diamante.
- Inspeccione o efectúe el mantenimiento con el motor parado y el enchufe desconectado.
- Efectúe el mantenimiento del producto para asegurarse de que funciona correctamente. Consulte la sección *Programa de mantenimiento en la página 113*.

Funcionamiento

Introducción



ADVERTENCIA: Asegúrese de leer y comprender el capítulo sobre seguridad antes de usar el producto.

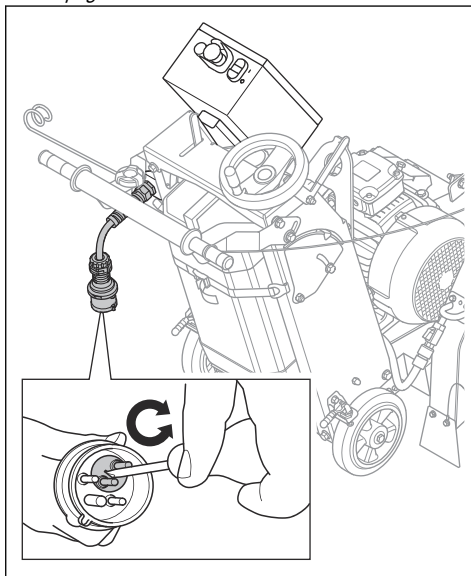
Pasos por seguir antes de poner en funcionamiento el producto



PRECAUCIÓN: No utilice un cable alargador de más de 25 m de longitud ni de menos de 2,5 mm² de sección.

- Lea detenidamente el manual de usuario y asegúrese de que entiende las instrucciones.
- Lea las instrucciones facilitadas por el fabricante del disco de corte.
- Siempre que vaya a usar el producto, efectúe lo siguiente:
 - a) Realice el mantenimiento diario. Consulte la sección *Programa de mantenimiento en la página 113*.
 - b) Trace líneas para marcar todos los cortes. Prepare la secuencia de operaciones con cuidado para evitar lesiones y daños.
 - c) Asegúrese de que el disco de corte y la protección del disco están bien instalados. Consulte *Instalación de un disco de corte en la página 103* y *Para instalar la protección del disco en la página 105*.
 - d) Ajuste el manillar a la posición de funcionamiento adecuada. Consulte la sección *Regulación de la altura del manillar en la página 103*.
 - e) Llene el depósito de agua o conecte el suministro externo de agua. Consulte *Llenado del depósito de agua en la página 108* y *Conexión de un suministro externo de agua en la página 109*.
 - f) Asegúrese de que el tubo de agua de la protección del disco está abierto. Debe haber un suministro de agua adecuado a ambos lados del disco de corte.
 - g) Asegúrese de que el puntero está alineado con el disco de corte. Consulte la sección *Alineación del puntero con el disco de corte en la página 107*.
 - h) Conecte el enchufe de alimentación del producto a un cable alargador y, a continuación, a la toma de corriente.

- i) En algunos casos, debe invertir las fases. Consulte la sección *Indicador de error en la página 116*.



- j) Gire el botón STOP de la máquina hacia la derecha para asegurarse de que dicho botón está desactivado.

Discos de corte



ADVERTENCIA: No utilice un disco de corte en materiales para los que no está diseñado.



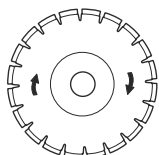
ADVERTENCIA: Utilice solo discos de diamante para corte en húmedo. El disco de diamante debe poder usarse a una velocidad igual o superior a la indicada en la placa de identificación del producto. Utilice únicamente discos de diamante que cumplan con las normativas nacionales o regionales, por ejemplo, EN13236 o ANSI B7.1.

El fabricante del disco de corte publica advertencias y recomendaciones para el uso y mantenimiento adecuado del mismo. Estas advertencias se suministran con el disco de corte.

Discos de diamante



ADVERTENCIA: Asegúrese de que el sentido de rotación del disco de diamante que se muestra en el propio disco coincide con el sentido de rotación que se muestra en el producto.



PRECAUCIÓN: Use siempre una hoja de diamante afilada.

Hay una amplia variedad de discos de diamante para distintas operaciones. Desde hormigón recién aplicado hasta hormigón y asfalto endurecidos y de distintas clases de dureza.

Los discos de diamante tienen un núcleo de acero con segmentos fabricados de diamante industrial.

Sistema de refrigeración por agua

Utilice siempre agua durante el funcionamiento para evitar que el disco de diamante alcance una temperatura excesivamente alta. El sistema de refrigeración por agua también aumenta la vida útil de los discos de diamante y evita la acumulación de polvo.

Asegúrese de que el suministro de agua no esté obstruido.

Discos de diamante para corte en húmedo



ADVERTENCIA: Utilice siempre una brida con unas dimensiones adecuadas para el disco que esté usando. No utilice bridas para el disco que estén dañadas.

Durante su uso, la fricción hace que la temperatura del disco de diamante aumente en exceso. Si el disco de diamante se calienta demasiado, disminuirá su tensión o provocará fisuras en el núcleo.

Deje que el disco de diamante se enfríe antes de tocarlo.

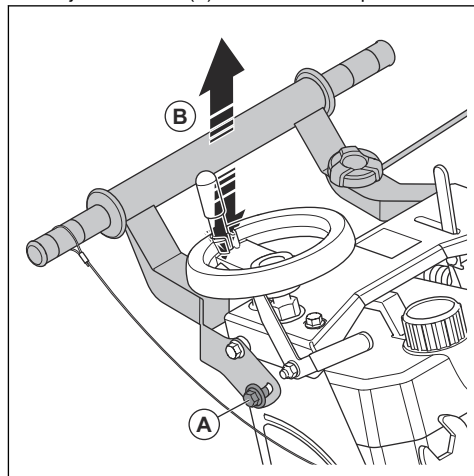
- Los discos de diamante de corte en húmedo deben utilizarse con agua para refrigerar el núcleo y los segmentos del disco durante el corte. Los discos de diamante para corte en húmedo no pueden usarse en seco.
- Si utiliza discos de diamante para corte en húmedo sin agua, el disco de diamante puede calentarse demasiado. En tal caso, el rendimiento sería bajo,

se producirían daños en el disco y su seguridad estaría en peligro.

Regulación de la altura del manillar

La altura del manillar puede regularse.

1. Afloje los tornillos (A) de cada lado del producto.



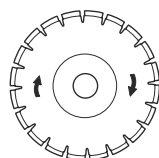
2. Establezca la altura de trabajo que desee (B).
3. Apriete los tornillos (A).

Instalación de un disco de corte

El disco de corte se puede instalar en el lado derecho o izquierdo del producto.



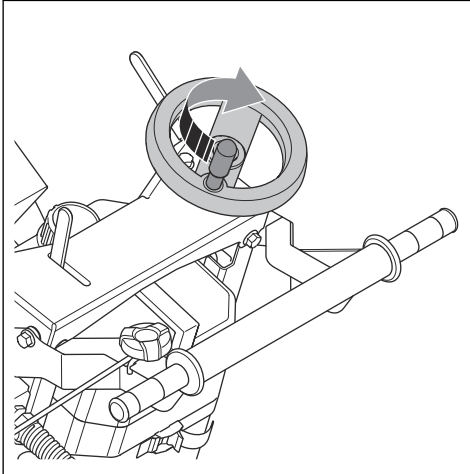
PRECAUCIÓN: Si el disco de corte se instala en el sentido opuesto al de rotación, puede sufrir daños. Asegúrese de que el disco de corte gira en el sentido de las flechas que aparecen en él.



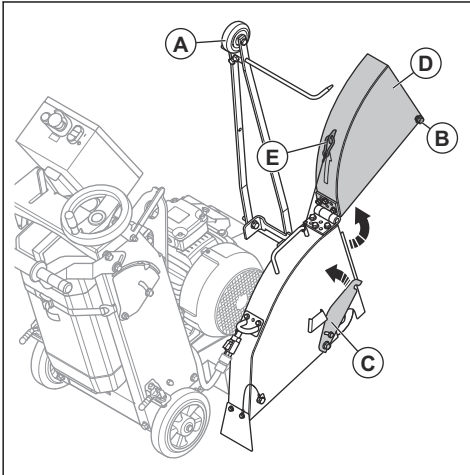
Nota: La palanca de la rueda de profundidad de corte siempre debe estar bloqueada cuando dicha rueda no está en uso.

1. Pare el motor y desconecte el producto de la toma de corriente.

2. Gire la rueda de profundidad de corte hacia la derecha para levantar completamente el disco de corte. Presione la palanca para bloquear la rueda de profundidad de corte.

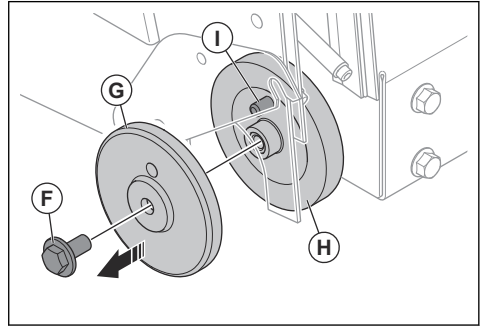


3. La protección del disco debe instalarse en el mismo lado del producto que el disco de corte. Si la protección del disco no está instalada en el lado correcto, consulte *Para instalar la protección del disco en la página 105*.
4. Levante el puntero (A) hasta la posición vertical.



5. Afloje el tornillo delantero (B) de la protección del disco y levante el seguro de dicha protección (C).
6. Levante la parte delantera de la protección del disco (D).
7. Bloquee la protección del disco en posición vertical con el cable y el mosquetón (E).

8. Retire el tornillo del disco (F) con la llave y la contrallave suministradas.



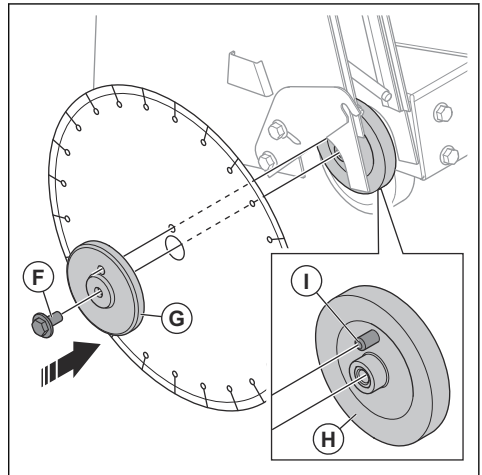
Nota: El tornillo del disco del lado derecho del producto tiene una rosca a izquierdas. El tornillo del disco del lado izquierdo del producto tiene una rosca a derechas.

9. Quite la brida del disco (G).

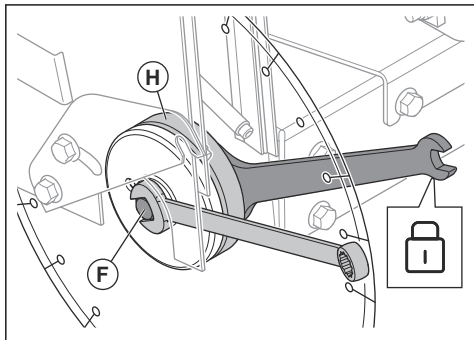


ADVERTENCIA: Aquellas piezas que estén dañadas o sucias pueden impedir la instalación correcta del disco de corte. Examine el tornillo del disco (F), la brida del disco (G), la brida interior (H) y el pasador de bloqueo (I) para comprobar si están dañados. Sustituya las piezas desgastadas o deterioradas. Limpie las superficies de contacto del disco de corte y de las bridas. Limpie las roscas del tornillo del disco y la brida interior.

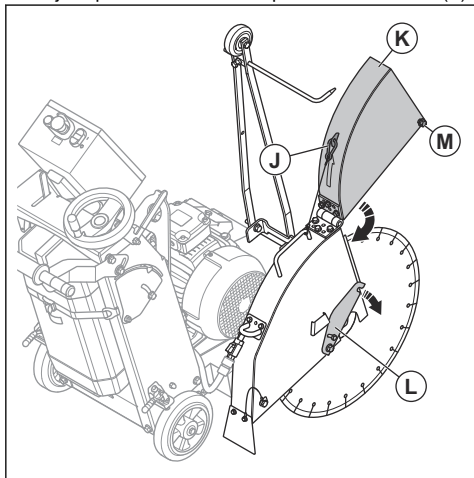
10. Instale el disco de corte en la brida interior (H).



11. Instale la brida del disco (G) y el tornillo del disco (F). Asegúrese de que el pasador de bloqueo (I) de la brida interior atraviesa el disco de corte y llega a la brida del disco (G).
12. Sujete y presione el disco de corte en el sentido inverso al de rotación. Al mismo tiempo, apriete el tornillo del disco (F) con la llave suministrada.
13. Bloquee la brida interior (H) con la llave suministrada y apriete el tornillo del disco (F) con la otra llave suministrada.



14. Apriete el tornillo del disco (F) a 100 Nm/74 ft lb.
15. Libere la protección del disco del mosquetón (J) y baje la parte delantera de la protección del disco (K).



16. Coloque el seguro de la protección del disco (L) en el tornillo delantero de la protección del disco. Apriete el tornillo delantero (M) de la protección del disco.



PRECAUCIÓN: No utilice el producto sin que la parte delantera de la protección del disco esté bajada y su pestillo acoplado. No utilice el producto si las piezas están dañadas.

17. Asegúrese de que el tornillo del disco del lado opuesto del producto esté apretado.
18. Arranque el producto. Consulte la sección *Arranque del producto en la página 109*.
19. Preste atención en busca de sonidos inusuales. Si hay ruidos inusuales, retire el disco de corte.
 - a) Examine si hay daños en el disco de corte.
 - b) Instale el disco de corte de nuevo. Si el disco de corte está dañado, cámbielo.

Extracción del disco de corte



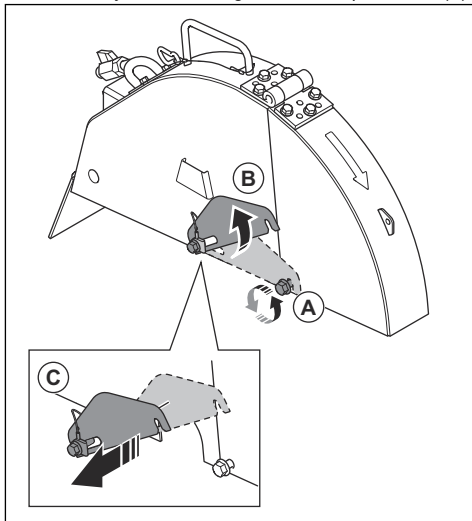
ADVERTENCIA: Al retirar discos de diamante, deje que el producto se enfríe y utilice guantes protectores. Los discos de diamante están muy calientes después del uso.

- Efectúe el procedimiento de instalación en orden inverso para retirar el disco de corte. Consulte la sección *Instalación de un disco de corte en la página 103*.

Para instalar la protección del disco

La protección del disco debe instalarse en el mismo lado del producto que el disco de corte. Si es necesario, mueva el seguro de la protección del disco al lado correcto de dicha protección.

1. Si el seguro de la protección del disco no está instalado en el lado correcto de la protección, realice el siguiente procedimiento.
 - a) Afloje las 2 tuercas de la cubierta de la brida y retire la cubierta de la brida.
 - b) Afloje el tornillo delantero (A) de la protección del disco y levante el seguro de dicha protección (B).

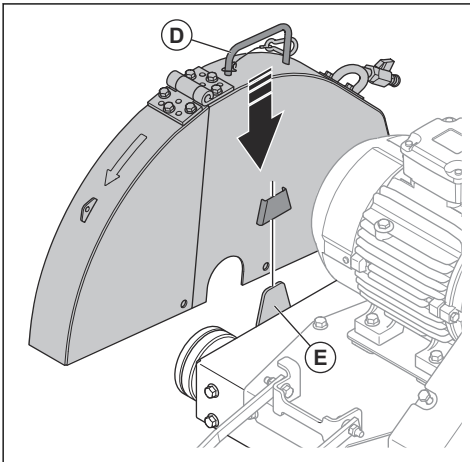


- c) Retire el tornillo trasero y el seguro de la protección del disco (C).
2. Mueva el seguro de la protección del disco al lado opuesto de la protección. Realice el procedimiento descrito a continuación.
- Instale el seguro de la protección del disco y apriete el perno trasero.
 - Ponga el seguro de la protección del disco en el tornillo delantero de la protección del disco. Apriete el tornillo delantero (A).

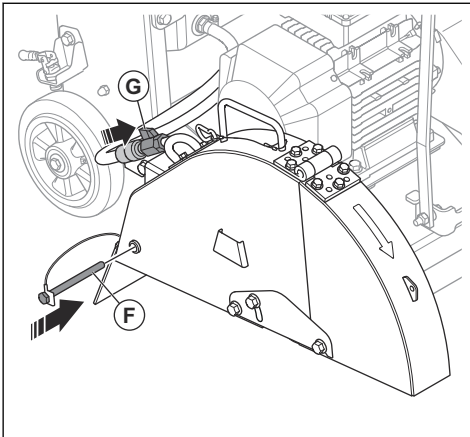


PRECAUCIÓN: No utilice el producto sin el seguro de la protección del disco puesto. No utilice el producto si las piezas están dañadas.

3. Utilice el asa (D) para levantar la protección del disco e instálela en el soporte (E).

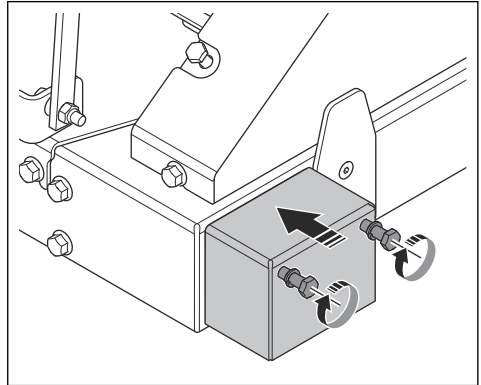


4. Instale el tornillo (F) de la protección del disco.



5. Conecte la manguera de agua (G).

6. Instale la cubierta de la brida en el lado opuesto del producto y apriete los 2 tornillos.



Para retirar la protección del disco

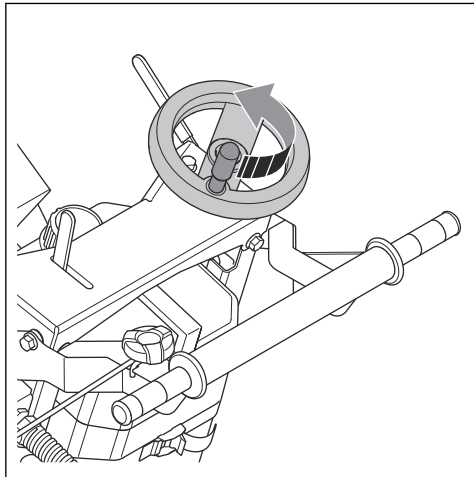
- Pare el motor. Consulte la sección *Parada del producto* en la página 110.
- Efectúe el procedimiento de instalación en orden inverso para retirar la protección del disco. Consulte la sección *Para instalar la protección del disco* en la página 105.

Ajuste del indicador de profundidad de corte

El indicador debe calibrarse antes de usar el producto.

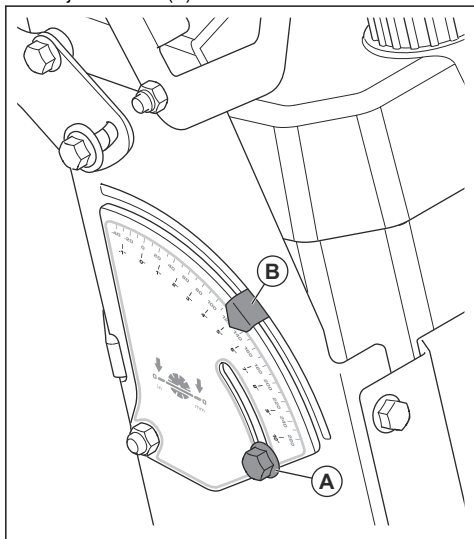
Nota: La palanca de la rueda de profundidad de corte siempre debe estar bloqueada cuando dicha rueda no está en uso.

1. Gire la rueda de profundidad de corte hasta que el disco de corte toque ligeramente el suelo. Baje la palanca para bloquear la rueda de profundidad de corte.



PRECAUCIÓN: No baje el disco de corte demasiado rápido. Si el disco de corte golpea la superficie con fuerza, puede sufrir daños.

2. Afloje el tornillo (A).



3. Gire la placa indicadora hasta que la posición "0" esté en el centro de la flecha (B).
4. Apriete el tornillo (A).

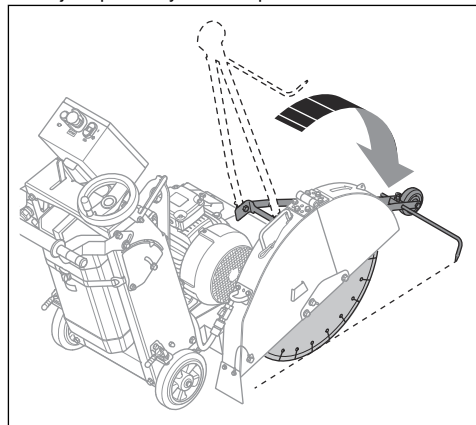


PRECAUCIÓN: Compruebe siempre que la profundidad de corte sea correcta. El indicador le ayuda a obtener la profundidad de corte correcta, pero solo proporciona una indicación del valor de profundidad.

Alineación del puntero con el disco de corte

Nota: El puntero debe alinearse con el disco de corte.

1. Coloque la brida interna a lo largo de una línea.
2. Baje el puntero y alinee el producto con las marcas.



3. Alinee el puntero con la línea.
4. Si es necesario, ajuste el puntero hasta que quede alineado con la línea.

Técnica básica de trabajo



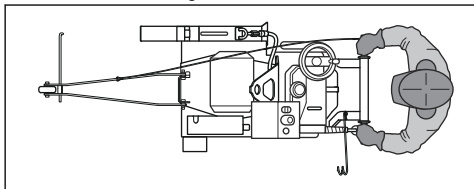
ADVERTENCIA: El eje del disco gira cuando el motor se pone en marcha.

- Asegúrese de que siempre pueda pulsar el botón STOP de la máquina durante su uso.
- Asegúrese de no haber dejado ninguna herramienta ni ningún otro objeto en el producto.
- Mantenga el control del producto cuando el motor esté en marcha.
- Compruebe que la protección del disco está bien montada antes de poner en marcha el producto. No corte sin la protección del disco.
- Realice marcas de línea para todos los cortes antes de iniciar la operación. Asegúrese de que no haya riesgo para el usuario ni para el producto.
- Mientras el disco de corte esté girando, no gire ni mueva el producto hacia los lados.

- Asegúrese de que hay siempre una persona cerca mientras utiliza el producto. Así, si se produce un accidente, dicha persona podrá ayudarlo.
- No deje desatendido el producto sin haber aplicado los frenos de estacionamiento.

Uso de la técnica de trabajo correcta

- Manténgase lejos del recorrido del disco mientras el motor está encendido. La posición correcta del usuario es detrás del producto manteniendo ambas manos en los mangos.



- Examine el disco de corte con frecuencia en busca de grietas y piezas rotas durante la jornada de trabajo. No utilice un disco de corte dañado.



ADVERTENCIA: Pare el motor y desconecte el enchufe de alimentación antes de examinar el disco de corte.

- No lime con el lateral del disco de corte. El disco de corte podría romperse y causar lesiones al operario o a los transeúntes. Utilice solamente el borde cortante.
- No doble ni gire el disco de corte en el corte.
- Asegúrese de que el disco de corte se mueva libremente y no quede atrapado en el corte.

Suministro de agua

El disco de corte debe tener suficiente agua durante el funcionamiento. Utilice el agua del depósito de agua del producto o conecte una manguera de agua externa. Consulte *Llenado del depósito de agua en la página 108* y *Conexión de un suministro externo de agua en la página 109*.

Llenado del depósito de agua

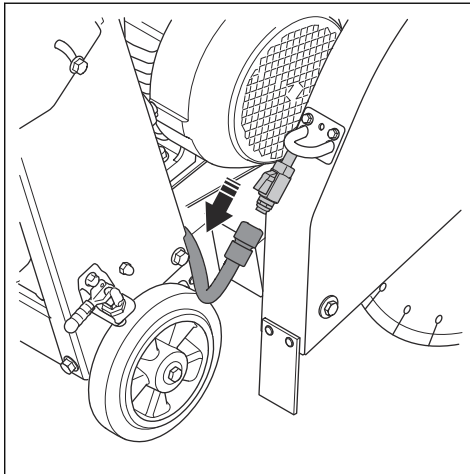


ADVERTENCIA: Ponga solo agua en el depósito. No ponga ningún otro líquido en el depósito de agua.

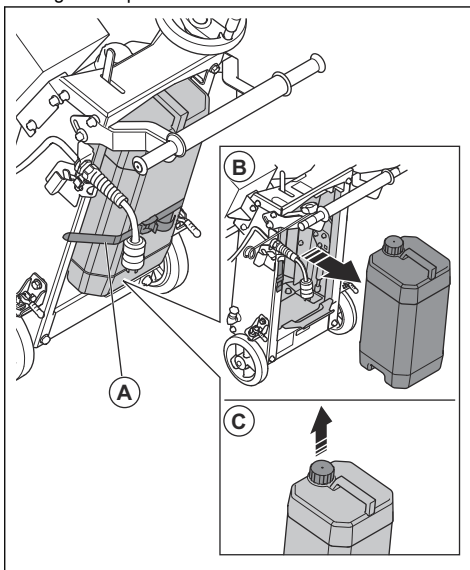


ADVERTENCIA: Asegúrese de que el disco de corte está ligeramente por encima del nivel del suelo cuando abra el grifo para ajustar el caudal de agua.

1. Cierre el grifo y desconecte la manguera de agua.

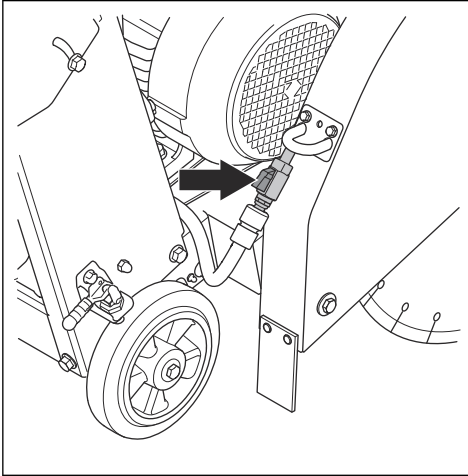


2. Retire la correa del depósito de agua (A) y el depósito de agua (B). No derrame agua sobre el producto. Aleje el depósito de agua a una distancia segura del producto.



3. Quite la tapa del depósito de agua (C) y llénelo.
4. Instale la tapa del depósito de agua.
5. Instale el depósito de agua.
6. Instale la correa del depósito de agua y conecte la manguera.

- Abra el grifo de la protección del disco para ajustar el caudal de agua.

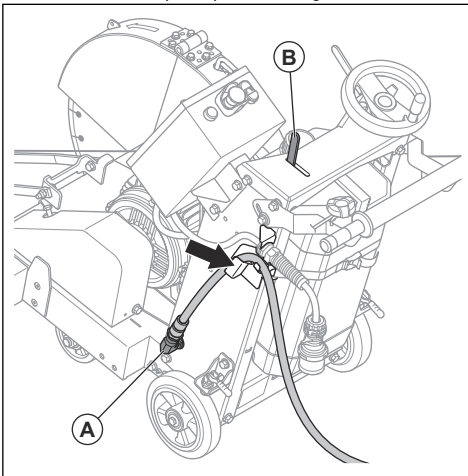


Conexión de un suministro externo de agua

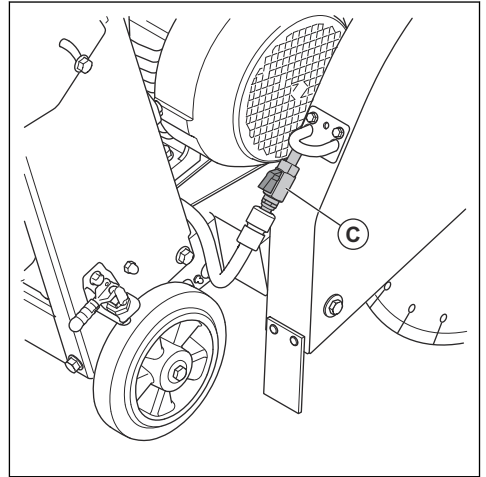


ADVERTENCIA: Asegúrese de que el disco de corte está ligeramente por encima del nivel del suelo cuando gire el grifo para ajustar el caudal de agua.

- Conecte una manguera externa de agua a la entrada de agua (A). Sujete la manguera de agua externa en el soporte para la manguera.



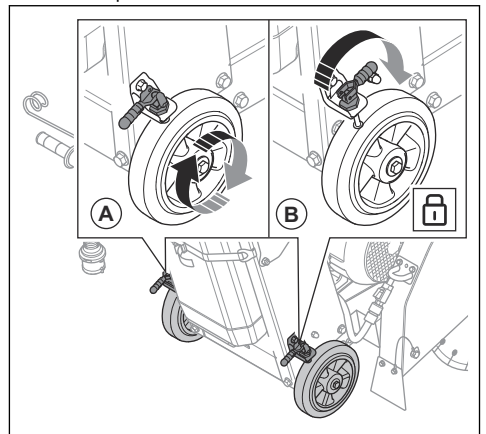
- Para iniciar o detener el paso de agua, presione la válvula de agua (B) o gire el grifo (C) de la protección del disco.



- Para ajustar el suministro de agua, presione la válvula de agua o gire el grifo de la protección del disco.

Activación y desactivación de los frenos de estacionamiento

- Desactive los frenos de estacionamiento (A) para mover el producto.



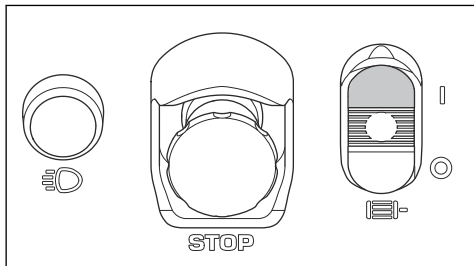
- Active los frenos de estacionamiento (B) para evitar que el producto se mueva de donde está.

Arranque del producto



ADVERTENCIA: Asegúrese de que el disco de corte está ligeramente por encima del nivel del suelo.

- Pulse el botón de encendido/apagado para poner en marcha el producto (posición "I"). En menos de 5 segundos, el producto funcionará a la velocidad adecuada.



Parada del producto

Nota: La palanca de la rueda de profundidad de corte siempre debe estar bloqueada cuando dicha rueda no está en uso.

1. Tire de la palanca para desbloquear la rueda de profundidad de corte.
2. Gire la rueda de profundidad de corte a la derecha hasta que el disco de corte esté ligeramente por encima del suelo.
3. Presione la palanca para bloquear la rueda de profundidad de corte.
4. Gire el grifo o presione la válvula de agua para detener el suministro de agua. Consulte la sección *Conexión de un suministro externo de agua en la página 109.*

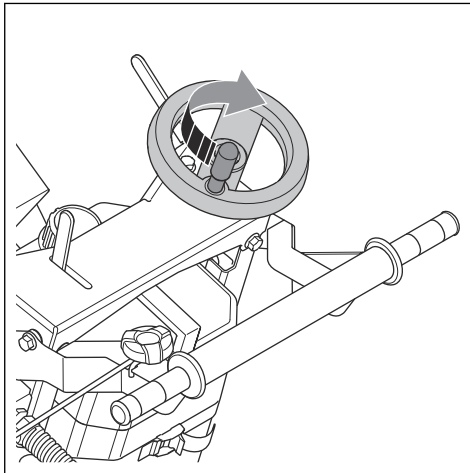
Parada del producto



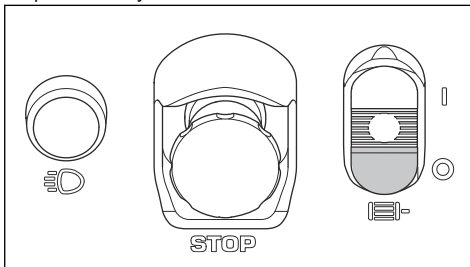
ADVERTENCIA: El disco de corte sigue girando unos instantes cuando el motor se para.

Nota: La palanca de la rueda de profundidad de corte siempre debe estar bloqueada cuando dicha rueda no está en uso.

1. Gire la rueda de profundidad de corte hacia la derecha para elevar el disco de corte. Baje la palanca para bloquear la rueda de profundidad de corte.



2. Pulse el botón de encendido/apagado para poner la posición "0" y detener el motor.



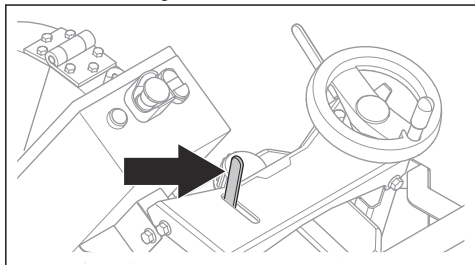
3. Accione los frenos de estacionamiento.
4. Desconecte el enchufe.

Corte superficial

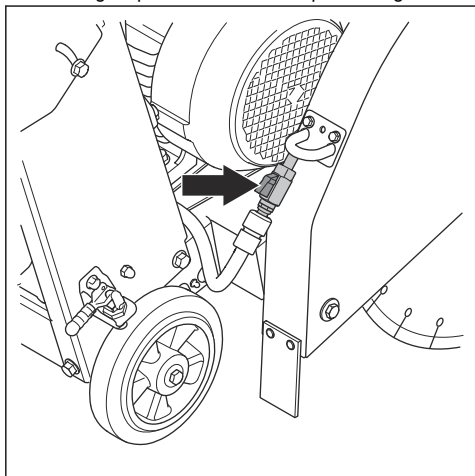
Nota: La palanca de la rueda de profundidad de corte siempre debe estar bloqueada cuando dicha rueda no está en uso.

1. Alinee el disco de corte con las marcas del suelo o con el corte guía.

2. Si se utiliza una manguera de agua externa, presione la válvula de agua para iniciar o detener la entrada de agua.

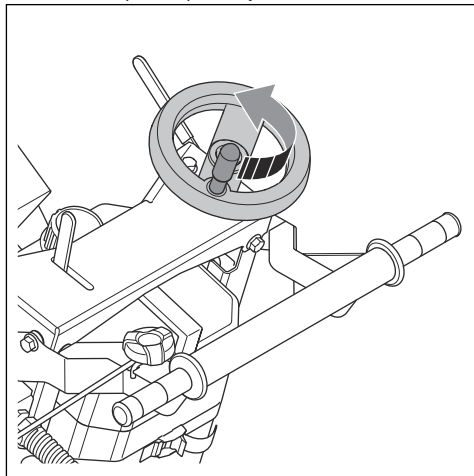


3. Gire el grifo para abrir o cerrar el paso de agua.

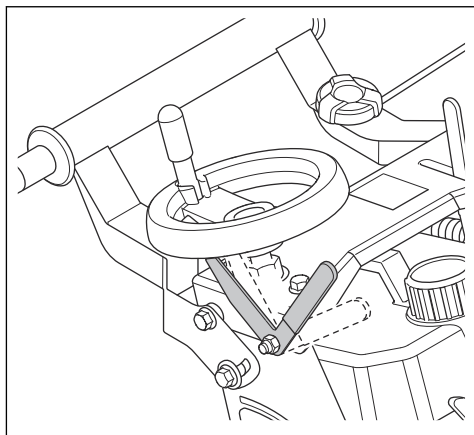


4. Inspeccione el flujo de agua. Si es necesario, ajuste el caudal de agua.
5. Arranque el motor. Consulte la sección *Arranque del producto en la página 109*.

6. Gire lentamente la rueda de profundidad de corte hacia la izquierda para bajar el disco de corte.



7. Haga un corte de unos 20-30 mm que sirva de guía.
8. Efectúe cortes en incrementos de 50 mm hasta llegar a la profundidad necesaria. Presione la palanca para bloquear la rueda de profundidad de corte.



9. Ajuste el caudal de agua cuando utilice el producto. Cada lado del disco de corte debe tener suficiente agua para enfriarlo correctamente. El agua también evita que se acumule polvo.
10. Corte solo en línea recta y alinee el disco de corte con las marcas.
11. Empuje lentamente el producto hacia delante y asegúrese de que el puntero y el disco de corte están alineados con las marcas.



PRECAUCIÓN: No mueva el producto hacia los lados para alinear el disco de corte con las marcas.

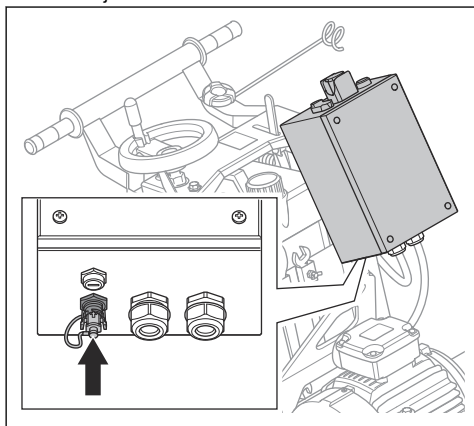
Funcionamiento del kit de luces

El kit de luces es un accesorio. Utilice únicamente la salida de 24 V para los kit de luces aprobados Husqvarna.

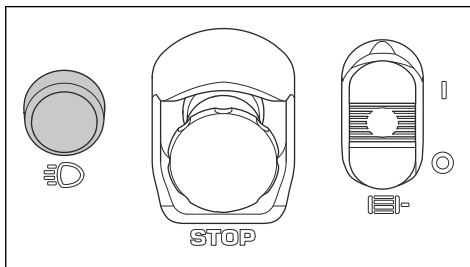


ADVERTENCIA: No mire directamente a la luz.

1. Instale el kit de luces en la salida de 24 V para la luz de trabajo.



2. Pulse el interruptor de luces para encender el kit de luces.



3. Vuelva a pulsar el interruptor para apagarlo.

Mantenimiento

Introducción



ADVERTENCIA: Asegúrese de leer y comprender el capítulo sobre seguridad antes de realizar tareas de mantenimiento en el producto.

Para todos los trabajos de mantenimiento y reparación del producto, es necesario realizar una formación especial. Le ofrecerán un servicio y reparaciones de calidad profesional. Si su distribuidor no es un taller de servicio, pídale información sobre el taller de servicio más cercano.

Si necesita piezas de repuesto, póngase en contacto con su distribuidor o taller de servicio Husqvarna.

Preparativos para el mantenimiento

- Estacione el producto sobre un suelo nivelado y detenga el motor. Pulse el botón STOP de la máquina ubicado en el panel de control para evitar el arranque accidental durante el mantenimiento.
- Asegúrese de que el producto no se mueva durante el mantenimiento. Accione los frenos de estacionamiento y coloque calzos detrás y delante de las ruedas.
- Desconecte siempre el enchufe de la toma de corriente antes de la limpieza, mantenimiento o montaje del producto.
- Limpie los restos de aceite y la suciedad en los alrededores del producto. Retire los objetos no deseados.
- Señalice debidamente la zona de mantenimiento para avisar a cualquiera que pase cerca sobre la realización de las tareas de mantenimiento.
- Tenga cerca extintores, botiquín y un teléfono de emergencia.

Programa de mantenimiento

Mantenimiento	Diario	Mensual
Limpie las superficies externas del producto con agua. Consulte la sección <i>Limpieza del producto en la página 113</i> .	X	
Realice una inspección general. Consulte la sección <i>Para realizar una inspección general en la página 114</i> .	X	
Inspeccione la correa de transmisión. Si es necesario, ajuste la tensión de la correa de transmisión. Consulte la sección <i>Ajuste de la tensión de la correa de transmisión en la página 114</i> .	X	
Compruebe el botón de parada de la máquina. Consulte la sección <i>Comprobación del botón STOP de la máquina en la página 100</i> .	X	
Compruebe los botones de encendido y apagado. Consulte la sección <i>Comprobación de los botones de encendido y apagado en la página 100</i> .	X	
Inspeccione el flujo de agua. Si el caudal de agua no es suficiente, compruebe el filtro de agua. Si es necesario, límpielo. Consulte la sección <i>Limpieza del filtro de agua en la página 113</i> .	X	
Compruebe las protecciones del disco. Consulte la sección <i>Comprobación de la protección del disco en la página 101</i> .	X	
Compruebe el disco de corte. Consulte la sección <i>Discos de corte en la página 102</i> .	X	
Lubrique los casquillos y la palanca de ajuste de la profundidad de corte. Consulte la sección <i>Lubricación del producto en la página 114</i> .	X	
Lubrique la tuerca de la placa de la correa de transmisión y el eje. Consulte la sección <i>Lubricación del producto en la página 114</i> .		X

Limpieza del producto



ADVERTENCIA: Utilice gafas protectoras. Cuando limpie el producto, pueden salir despedidos de él suciedad y material nocivo.



PRECAUCIÓN: Una toma de aire bloqueada disminuye el rendimiento del producto y puede provocar el sobrecalentamiento del motor.

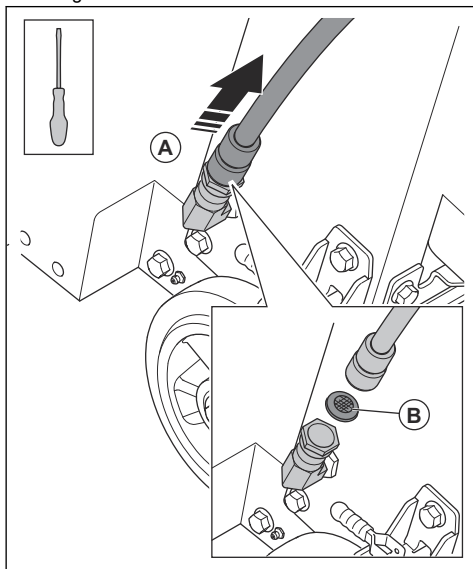
- Deje que el producto se enfríe antes de limpiarlo.
- No limpie los componentes eléctricos con agua.
- Utilice un producto de limpieza suave. Use guantes protectores para evitar la irritación cutánea.
- Limpie todo el equipo al final de la jornada de trabajo. No utilice una hidrolimpiadora para limpiar el producto.
- Elimine cualquier bloqueo de todas las aberturas de aire.

Limpieza del filtro de agua



PRECAUCIÓN: Un filtro de agua obstruido reduce el caudal de agua que se dirige al disco de corte y puede hacer que se caliente demasiado.

1. Desconecte la manguera externa (A) de la entrada de agua.



2. Retire el filtro de agua (B) con un destornillador plano.
3. Compruebe el filtro de agua. Si es necesario, límpielo.
4. Instale el filtro de agua y conecte la manguera externa.

Para realizar una inspección general

- Asegúrese de que las tuercas y los tornillos del producto estén bien apretados.
- Asegúrese de que los cables del producto no están en una posición en la que puedan resultar dañados.
- Examine los componentes eléctricos en busca de daños. No use un producto con componentes eléctricos dañados.
- Examine las mangueras de agua en busca de fugas. No use un producto con daños en las mangueras de agua.

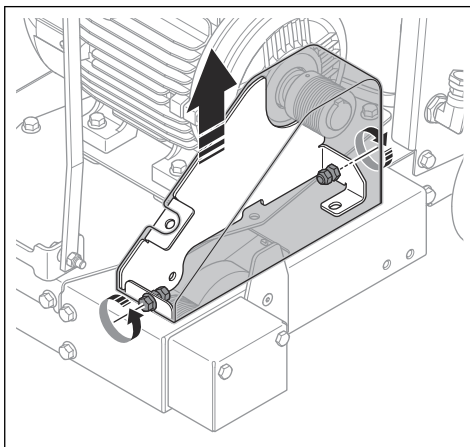
Ajuste de la tensión de la correa de transmisión



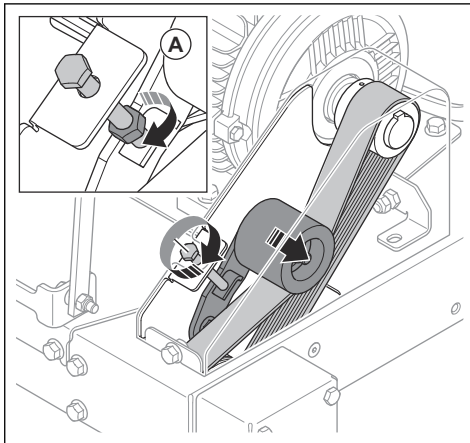
PRECAUCIÓN: Asegúrese de que la correa de transmisión no esté dañada.

La tensión de una correa de transmisión nueva debe ajustarse al cabo de 2 horas.

1. Afloje los 2 tornillos y retire la cubierta de la correa de transmisión.



2. Afloje la contratuerca (A).



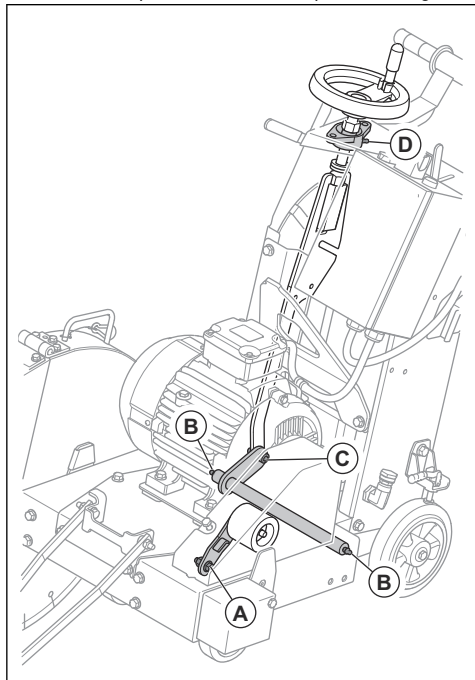
3. Gire el tornillo tensor para ajustar la presión que ejerce la polea en la correa de transmisión. La tensión de la correa de transmisión es correcta cuando la frecuencia de la correa de transmisión se encuentra en el intervalo indicado en *Datos técnicos en la página 117*.
4. Apriete la contratuerca.
5. Instale la cubierta de la correa de transmisión y apriete los 2 tornillos.

Lubricación del producto

Nota: La palanca de la rueda de profundidad de corte siempre debe estar bloqueada cuando dicha rueda no está en uso.

Lubrique los componentes siguientes. Lubrique hasta que la grasa se vea en los bordes. Para conocer la grasa adecuada, consulte *Datos técnicos en la página 117*.

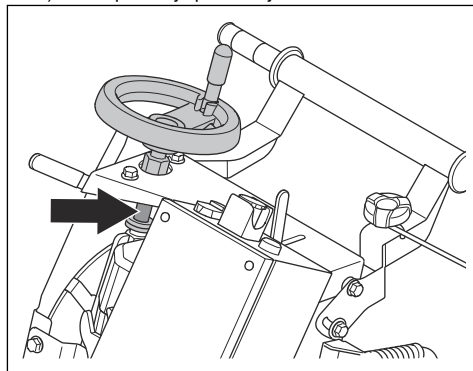
1. Conecte la pistola de engrase en la boquilla de engrase.
2. Lubrique el casquillo (A) de la placa de la correa de transmisión con una brocha.
3. Lubrique los casquillos (B) de los lados izquierdo y derecho del producto. Utilice una pistola de engrase.



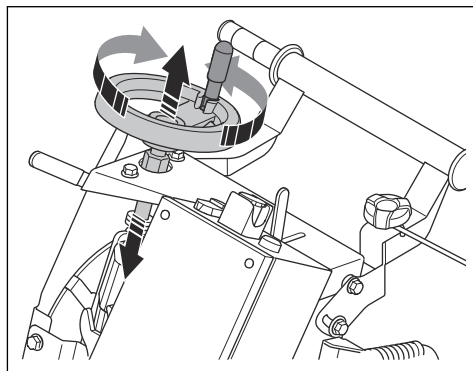
4. Lubrique el eje (C) con una brocha.

5. Lubrique los puntos de lubricación de la palanca de ajuste de la profundidad de corte (D). Utilice una pistola de engrase.

- a) Lubrique el eje por debajo de la tuerca.



- b) Gire la rueda de profundidad de corte hacia la derecha y hacia la izquierda una y otra vez para que la lubricación sea uniforme. Presione la palanca para bloquear la rueda de profundidad de corte.



Resolución de problemas

El producto no arranca

- Asegúrese de que el suministro y cables de alimentación no están dañados.
- Examine el botón de parada de la máquina; gire el botón hacia la derecha para liberar el botón de parada de la máquina.
- Examine el indicador de error. Consulte la sección *Indicador de error en la página 116*.

El producto se detiene de repente

- Si la carga de trabajo del producto es demasiado alta, la protección contra sobrecarga se activa y el

motor se detiene. Consulte la sección *Indicador de error en la página 116*.

El producto se detiene durante el arranque

Se necesita una tensión correcta para un buen funcionamiento del motor. Unos cables alargadores demasiado largos o finos reducen la potencia del motor durante el funcionamiento.

- Si la carga de trabajo del producto es demasiado alta, la protección del motor se activa y este se detiene. Consulte la sección *Indicador de error en la página 116*.

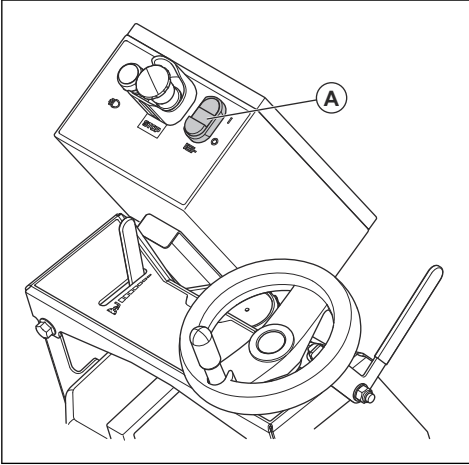
- Compruebe que los cables alargadores no sean demasiado largos ni finos. Intente arrancar de nuevo el producto.
- Asegúrese de que los discos giran libremente.
- Si el producto sigue parándose al arrancarlo, acuda a un taller de servicio autorizado.

Deje que la protección del motor se enfríe y que el indicador de error se apague antes de volver a arrancar el motor. Debe esperar aproximadamente 60 segundos.

La luz de trabajo no se enciende

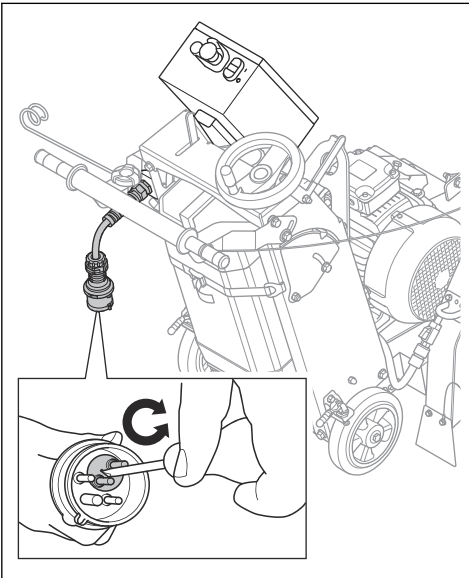
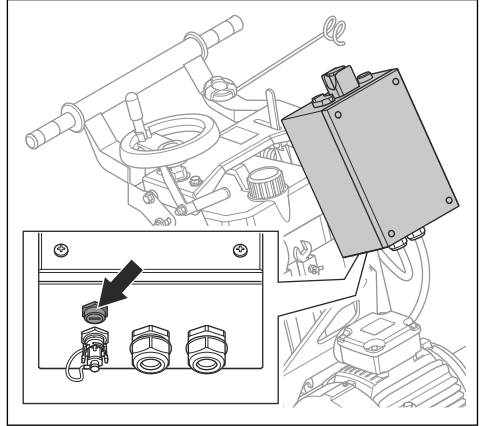
- Examine el fusible de la luz de trabajo. Si el fusible está roto, sustitúyalo por un fusible correcto. Consulte la sección *Datos técnicos en la página 117*.

Indicador de error



El indicador de error (A) se enciende en estas situaciones:

- El motor se ha sobrecargado. El motor se detiene.
- Hay un error de fase. Es necesario ajustar el enchufe.



Transporte, almacenamiento y eliminación

Transporte

- Retire el disco de corte antes de transportar el producto.
- Este producto es muy pesado. Tenga cuidado al levantarlo, ya que podría sufrir lesiones. Consulte la sección *Elevación del producto en la página 117*.
- Obedezca los requisitos especiales para el transporte comercial.
- Fije el producto durante el transporte. Asegúrese de que no pueda moverse.

Elevación del producto



ADVERTENCIA: Asegúrese de que el equipo de elevación tenga las dimensiones adecuadas. La placa de características del producto indica su peso.



ADVERTENCIA: Asegúrese de que la argolla de elevación no esté dañada.



ADVERTENCIA: No pase por debajo ni cerca de un producto elevado.

- Utilice un equipo de elevación adecuado para levantar el producto. No levante el producto a mano.
- Utilice la argolla de elevación del producto para elevarlo.

- Use botas con puntera de acero y suela antideslizante.

Almacenamiento del producto

- Mantenga el producto en un área cerrada para impedir el acceso a niños o personas no autorizadas.
- Guarde siempre el producto a cubierto.
- Mantenga el producto en un lugar seco y al abrigo de las heladas.
- Retire el disco de corte del producto después de usarlo. Guarde el disco de corte en un lugar seco.
- Ponga el producto sobre una superficie plana y nivelada.

Eliminación

Los símbolos del producto o del embalaje del producto indican que este producto no puede desecharse como residuo doméstico. Debe enviarse a una estación de reciclaje apropiada para la recuperación de piezas eléctricas y electrónicas.

Si se asegura de que se trata este producto correctamente, puede ayudar a contrarrestar el posible impacto negativo para el medio ambiente y las personas que podría darse por una gestión incorrecta de los residuos del mismo. Si desea información más detallada sobre el reciclaje de este producto, póngase en contacto con su ayuntamiento, el servicio de recogida de basuras o la tienda donde lo adquirió.

Datos técnicos

Datos técnicos

Potencia del motor, kW	7,5
Tensión nominal, V CA a frecuencia, Hz	3~400 a 50 (CE) 3~415 a 50 (AUS)
Corriente nominal, A	15
Enchufe	CEE, 3~, 16 A (CE) 56P420, 20 A, 500 V (AUS)
Diámetro máximo del disco, mm	600
Profundidad de corte máxima, mm	240
Velocidad máxima de rotación del eje (a un régimen nominal de 2925 rpm), rpm	1765

Diámetro del casquillo, mm	25,4
Diámetro de la brida del disco, mm	116
Presión máxima de agua, bar	6
Peso nominal (sin embalaje), kg	178
Peso de funcionamiento máximo sin depósito de agua, kg	183
Peso de funcionamiento máximo con depósito de agua lleno, kg	214
Grasa	Grasa DIN 51825 de clase K2K-30 o K3K-30
Tensión correcta de la correa, Hz	88-93
Salida para luz de trabajo, VCC	24
Fusible para luz de trabajo, A	4 (5 x 20 mm)
Par de apriete del tornillo del disco, Nm/ft lb	100/74

Niveles acústicos

Emisiones de ruido y vibración	
Nivel de potencia acústica L_{WA} (medido), dB(A)	105
Nivel de potencia acústica L_{WA} (garantizado), dB(A) ¹⁰	107
Nivel de presión sonora en el oído del operario, dB(A) ¹¹	83
Niveles de vibración a_{HV} , m/s^2 , puño derecho/izquierdo ¹²	2,6/3,1

Declaración sobre ruido y vibración

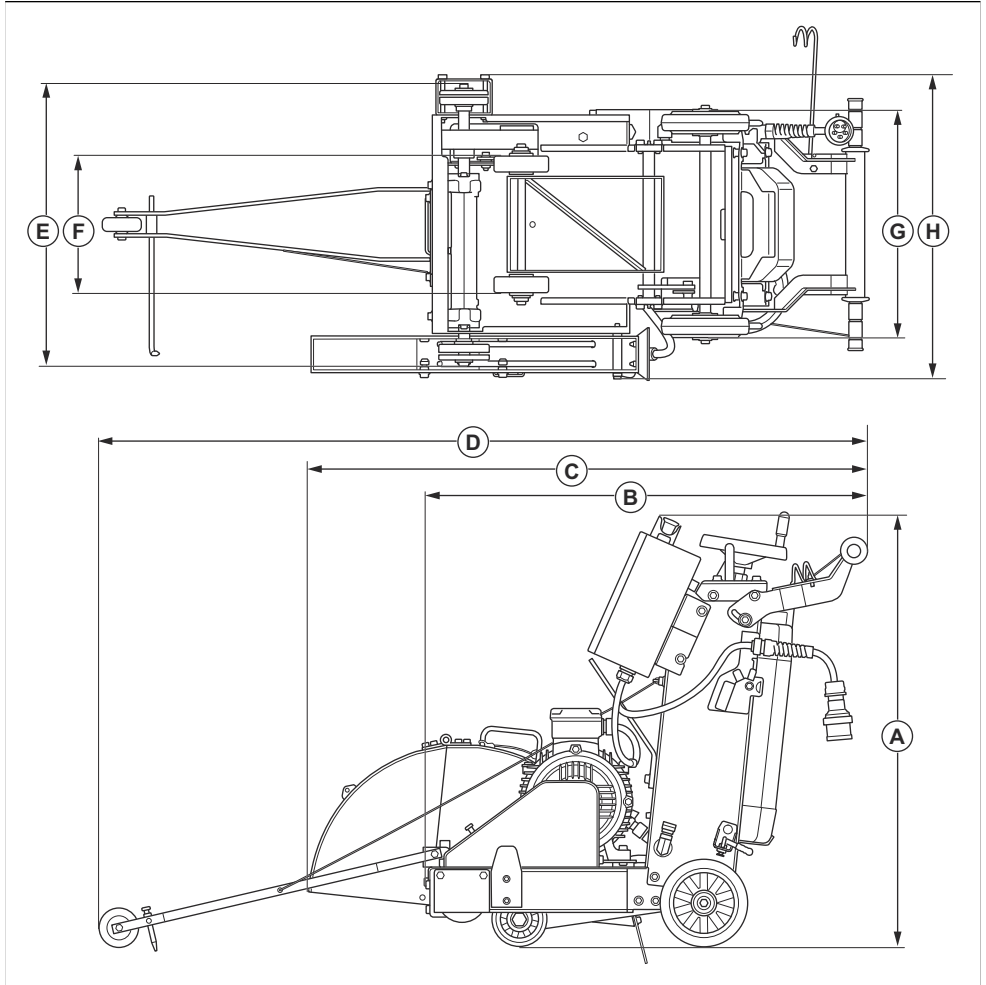
Estos valores declarados se obtuvieron en pruebas de laboratorio conforme a las normas o directivas indicadas y pueden usarse para compararlos con los valores declarados de otros productos que se hayan probado conforme a las mismas normas o directivas. Estos valores declarados no deben usarse a la hora de evaluar el riesgo. Los valores medidos en un lugar de trabajo determinado pueden ser más altos. Los valores reales de exposición y el daño que pueda sufrir una persona en particular variarán en cada caso y dependerán de la manera en la que el usuario trabaje, el material que se esté usando, el tiempo de exposición, el estado de salud del usuario y el estado del producto.

¹⁰ Emisiones sonoras en el entorno medidas como potencia acústica (L_{WA}) según la directiva 2000/14/CE. La diferencia entre la potencia sonora garantizada y medida es que la potencia sonora garantizada también incluye la dispersión en el resultado de la medición y las variaciones entre diferentes máquinas del mismo modelo, según la directiva 2000/14/CE.

¹¹ Nivel de presión sonora conforme a la norma EN 13862. Los datos referidos del nivel de presión sonora tienen una dispersión estadística habitual (desviación típica) de 2,5 dB(A)

¹² Nivel de vibración conforme a EN 13862. Los datos referidos del nivel de vibración poseen una dispersión estadística habitual (desviación típica) de 1 m/s^2

Dimensiones del producto



A	Altura, mm	985	E	Anchura mínima (protección del disco no instalada), mm	645
B	Longitud mínima (puntero hacia arriba y protección del disco o disco de corte no instalados), mm	1010	F	Anchura de la rueda delantera, mm	320
C	Longitud (puntero hacia arriba y protección del disco instalada), mm	1275	G	Anchura de las ruedas traseras, mm	520

D	Longitud máxima (puntero hacia abajo), mm	1750	H	Anchura máxima (protección del disco instalada), mm	700
----------	---	------	----------	---	-----

Accesorios

Accesorios Husqvarna homologados

- Kit de luces.
- Depósito de agua.

Declaración de conformidad

Declaración de conformidad CE

Nosotros, Husqvarna AB, SE 561 82 Huskvarna, Suecia, con teléfono +46- 36-146500, declaramos bajo nuestra exclusiva responsabilidad que el producto:

Descripción	Cortadora de suelos
Marca	HUSQVARNA
Tipo/Modelo	FS 600 E
Identificación	Números de serie a partir del año 2021

Cumple las siguientes directivas y normas de la UE:

Directiva/Norma	Descripción
2006/42/EC	"relativa a las máquinas"
2014/30/EU	"relativa a la compatibilidad electromagnética"
2000/14/EC	"relativa al ruido en exteriores"
2011/65/EU	"relativa a restricción de sustancias peligrosas".

Y que se aplican las especificaciones técnicas o los estándares siguientes:

EN ISO 12100:2010

EN 13862:2001+A1:2009

EN 55014-1:2021

EN 61000-6-2:2019

EN 61000-3-2:2019+A1:2021

EN 61000-3-3:2013+A1:2019

EN IEC 63000:2018

Procedimiento de evaluación de la conformidad según 2000/14/CE: Anexo V.

Para obtener información respecto a las emisiones sonoras, consulte *Datos técnicos en la página 117*.

Partille, 2021-12-08

Erik Silfverberg

Director de I + D, Concrete Sawing & Drilling Equipment

Husqvarna AB, Construction Division

Responsable de la documentación técnica



Sisällys

Johdanto.....	122	Kuljettaminen, säilyttäminen ja hävittäminen.....	145
Turvallisuus.....	126	Tekniset tiedot.....	146
Käyttö.....	131	Tarvikkeet.....	149
Huolto.....	142	Vaatimustenmukaisuusvakuutus.....	150
Vianmääritys.....	144		

Johdanto

Tuotekuvaus

Laite on sähkökäyttöinen kävellen ohjattava tie- ja lattiasaha.

Käyttötarkoitus

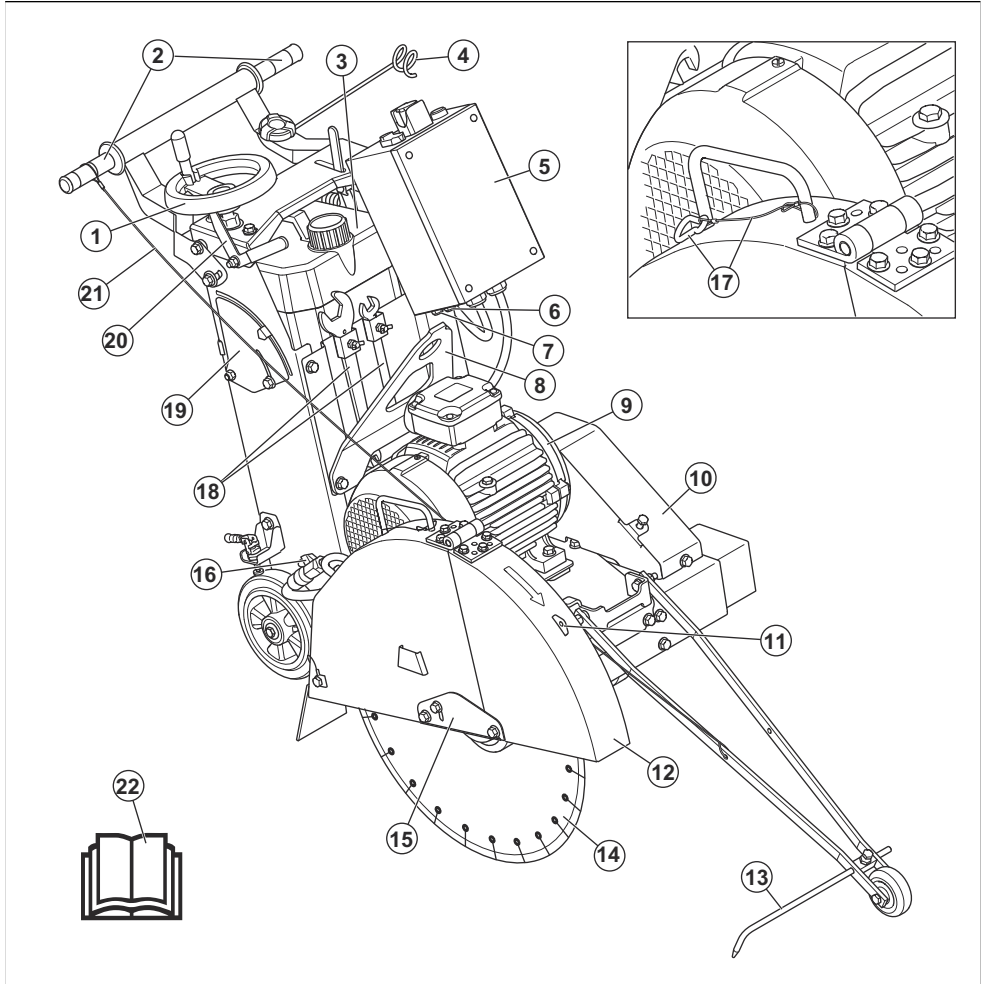
Laitetta käytetään kovien lattiapintamateriaalien, kuten betonin, asfaltin ja kiven, märkäleikkaamiseen

timanttilaikoilla. Kaikki muu käyttö on laitteen väärinkäyttöä.

Laite on tarkoitettu kokeneiden käyttäjien käyttöön teollisuudessa.

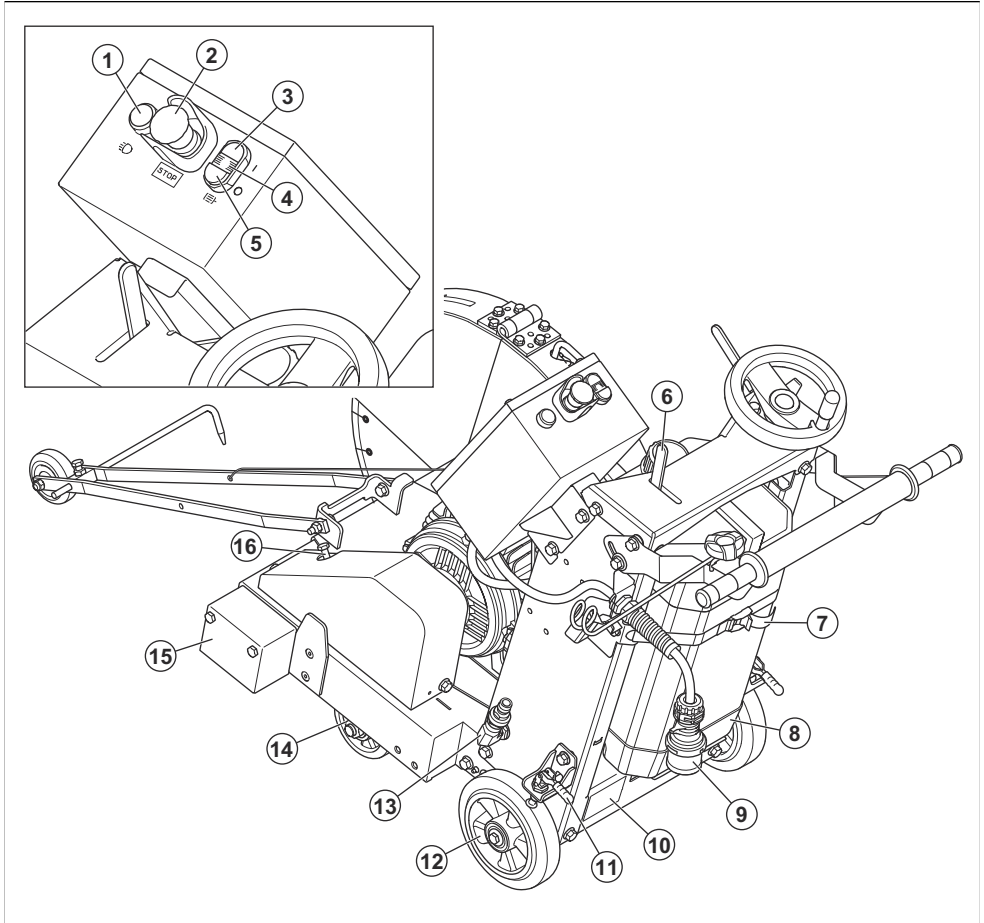
Älä käytä laitetta ulkona tai märillä pinnoilla. Tämä laite soveltuu vain sisäkäyttöön.

Laitteen yleiskuvaus, oikea puoli



- | | |
|--------------------------------------|---------------------------------------|
| 1. Leikkuusyvyden säätöpyörä | 12. Laikansuojus |
| 2. Kahva | 13. Osoitin |
| 3. Vesisäiliö ja kansi (lisävaruste) | 14. Laikka (ei sisälly pakkaukseen) |
| 4. Kaapeli- ja letkunohjain | 15. Laikansuojuksen salpa |
| 5. Sähkökotelo | 16. Vesihana |
| 6. Työvalon sulake | 17. Vaijeri ja karbiinihaka |
| 7. Työvalon liitäntä | 18. Huoltotyökalut |
| 8. Nostosilmukka | 19. Sahaussyvyyden ilmaisin |
| 9. Moottori | 20. Vipu leikkuusyvyden lukitsemiseen |
| 10. Vetohihnan suojus | 21. Osoittimen köysi |
| 11. Kiinnike karbiinihaalle | 22. Käyttöohjekirja |

Laitteen yleiskuvaus, vasen puoli



1. Työvalojen valokytkin (valosarja lisävarusteena)
2. Koneen pysäytyspainike
3. ON-painike
4. Virheen merkkivalo
5. OFF-painike
6. Vesiventtiili
7. Vesisäiliön hihna
8. Vesisäiliö (lisävaruste)
9. Virtapistoke
10. Tyyppikilpi
11. Seisontajarru
12. Takapyörä
13. Veden tuloliitäntä ja vedensuodatin
14. Etupyörä
15. Laipan suojus

16. Kiristysruuvi, vetohihna

Laitteen symbolit



VAROITUS: Tämä laite voi olla vaarallinen ja aiheuttaa käyttäjälle tai sivullisille vakavia vahinkoja tai kuoleman. Ole varovainen ja käytä tuotetta oikein.



Lue käyttöohje huolellisesti ja varmista, että ymmärrät sen sisällön, ennen kuin alat käyttää tätä konetta.



Viiltovammojen vaara. Pidä kaikki ruumiinosat etäällä katkaisulaikasta.



Pidä kaikki kehonosat poissa katkaisulaikan ja muiden liikkuvien osien ulottuvilta.



Varmista, että katkaisulaikan terä ei ole tylsä ja laikassa ei ole vaurioita, kuten halkeamia.



Teräsuojusten on oltava aina asennettuina laitteeseen. Katkaisulaikka saa näkyä enintään 180 asteen kulmassa.



Varmista, että katkaisulaikka soveltuu käytettäväksi vähintään laitteessa ilmoitetulla nopeudella. Laikan käyttö liian suurella nopeudella voi aiheuttaa sen rikkoutumisen ja johtaa henkilövahinkoihin ja aineellisiin vaurioihin.



VAROITUS: Pöly voi aiheuttaa terveysongelmia. Käytä hyväksyttyä hengityssuojainta. Varmista aina hyvä ilmavirtaus.



VAROITUS: Älä katso valonsäteeseen. Tämä varoitus on voimassa vain, kun valosarja on asennettu.



Käytä kuulonsuojaimia, silmäsuojaimia ja hengityssuojainta. Katso kohta *Henkilökohtainen suojavarustus sivulla 129.*



Sähköiskun vaara: tarkastus ja/tai huolto on tehtävä moottori sammutettuna ja pistoke pistorasiasta irrotettuna.



Kaikki sahausalueen ulkopuolelle kohdistuvat koneen siirrot on suoritettava siten, että terä ei pyöri.



Irrota terä ennen kuljetusta, kun nostat, lastaat tai poistat laitteen kuormasta.



Teräsuojuksessa oleva nuoli osoittaa leikkuterän kiertosuunnan.



Kytke/vapauta seisontajarrut.



Täytä säiliö ainoastaan vedellä.



Katkaisulaikan vesijähdytysjärjestelmän venttiili.



Noston/laskun ohjaus leikkusuovyöden säätöä varten.



Nosta laitetta aina nostokohdasta.



Suojamaadoitus.



ON-painike.



OFF-painike.



Koneen pysäytyspainike



Työvalon valokytkin.



Moottorin ON/OFF-painike, virheen merkkivalo.



EU- ja UK-direktiivien ja -säästösten mukainen ympäristön melupäästökilpi. Laitteen taattu äänitehotaso on määriteltty kohdassa *Äänitasot sivulla 147, Vaatimustenmukaisuusvakuutus sivulla 150* ja kilvessä.



Sähköiskun vaara. Vain valtuutettu henkilökunta saa huoltaa tätä laitetta.



Tämä tuote täyttää voimassa olevien EY-direktiivien vaatimukset.



Tämä tuote täyttää sovellettavissa olevien UK-säädösten vaatimukset.



Laitetta tai sen pakkausta ei saa hävittää kotitalousjätteen mukana. Vie se asianmukaiseen sähkö- ja elektroniikkalaitteiden keräyspisteeseen.

Tyyppikilpi

1 Husqvarna®		2		3	
4		Husqvarna AB, S-561 82, Husqvarna, Sweden			
ARTICLE NO.		5		Made in China	
SERIAL NO. (HID)		6			
7		9		12	
8		11		14	
10		13		Ø	
15					

1. Valmistaja
2. Valmistajan osoite
3. Skannattava QR-koodi
4. Tyyppimerkintä
5. Tuotenumero
6. Sarjanumero
7. Laitteen paino, kg
8. Valmistuspäivä, vuosi/kuukausi
9. Jännite: 3-vaiheinen vaihtovirta, V
10. Taajuus, Hz
11. Nimellisvirta, A
12. Moottorin teho, kW
13. Laikan enimmäishalkaisija, mm
14. Karan enimmäisnopeus, n/min
15. Lisätiedot

Tuotevastuu

Tuotevastuulain mukaisesti emme ole vastuussa tuotteen aiheuttamasta vaurioista, jos

- tuote on korjattu virheellisesti
- tuotteen korjaamiseen on käytetty muita kuin valmistajan omia tai sen hyväksymiä osia
- tuotteessa on muu kuin valmistajan oma tai sen hyväksymä lisävaruste
- tuotetta ei ole korjattu valtuutetussa huoltopisteessä tai hyväksytyllä asiantuntijalla.

Turvallisuus

Turvallisuusmääritelmät

Varoituksia, huomioita ja huomautuksia käytetään, kun jotakin käyttöohjeen osaa halutaan erityisesti korostaa.



VAROITUS: Tätä käytetään, jos käyttöohjeen noudattamatta jättämisestä voi seurata käyttäjän tai sivullisen vamma tai kuolema.



HUOMAUTUS: Tätä käytetään, jos käyttöohjeen noudattamatta jättämisestä voi seurata koneen, muiden materiaalien tai ympäristön vaurioituminen.

Huomautus: Tätä käytetään tietyissä tilanteissa tarvittavien lisätietojen antamiseen.

Yleiset sähkötyökaluja koskevat varoitukset



VAROITUS: Lue kaikki tämän sähkötyökalun mukana tulevat turvavaroitukset, ohjeet, kuvat ja tekniset

tiedot. Alla olevien ohjeiden noudattamatta jättäminen voi johtaa sähköiskuun, tulipaloon ja/tai vakavaan tapaturmaan.

Säästä kaikki varoitukset ja ohjeet tulevaa käyttöä varten. Varoituksissa termillä "sähkötyökalu" tarkoitetaan verkkosähköllä toimivaa (johdollista) sähkötyökalua tai akkukäyttöistä (johdotonta) sähkötyökalua.

Työalueen turvallisuus

- **Pidä työalue sivistä ja hyvin valaistuna.** Sotkuiset tai hämärät alueet ovat alttiita onnettomuuksille.
- **Älä käytä sähkötyökaluja räjähdysherkässä ympäristössä, esimerkiksi herkästi syttyvien nesteiden, kaasujen tai pölyn läheisyydessä.** Sähkötyökaluista lähtevät kipinät voivat sytyttää pölyn tai kaasut.
- **Pidä lapset ja sivulliset poissa, kun käytät sähkötyökalua.** Häiriöt voivat saada sinut menettämään työkalun hallinnan.

Sähköturvallisuus

- **Sähkötyökalun pistokkeen on sovitava pistorasiaan. Älä koskaan muuta pistoketta millään tavoin. Älä**

käytä sovittipistokkeita. Muuttamattomat pistokkeet ja sopivat pistorasiat vähentävät sähköiskun vaaraa.

- **Varo koskettamasta maadoitettuja pintoja, kuten putkia, pattereita, liesiä ja jääkaappeja.** Sähköiskun riski kasvaa, jos käyttäjän keho on maadoitettu.
- **Älä altista sähkötyökaluja sateelle tai märille olosuhteille.** Sähkötyökaluun tunkeutunut vesi lisää sähköiskun vaaraa.
- **Älä vahingoita johtoa. Älä koskaan käytä sähkötyökalun johtoa sen kantamiseen, sen vetämiseen tai sen pistokkeen irrottamiseen pistorasiasta.** Pidä johto etäällä lämmönlähteistä, öljystä, terävistä reunoista ja liikkuvista osista. Vahingoittuneet tai sotkeutuneet johdot lisäävät sähköiskun vaaraa.
- **Kun käytät sähkötyökalua, käytä ulkokäyttöön sopivaa jatkojohtoa.** Ulkokäyttöön sopivan johdon käyttäminen vähentää sähköiskun vaaraa.
- **Käytä aina sähkötyökalun käytön yhteydessä virtälähdettä, jossa on vikavirtasuojakytkin (RCD).** Vikavirtasuojakytkimen käyttö vähentää sähköiskun vaaraa.
- **Varmista, että verkkojännite vastaa laitteeseen kiinnitettyssä tyyppikilvessä ilmoitettua jännitettä.** Katso kohta *Tyyppikilpi sivulla 126.*

Henkilökohtainen turvallisuus

- **Pysy valppaana, katso mitä teet ja käytä tervettä järkeä käyttäessäsi sähkötyökalua.** Älä käytä sähkötyökalua väsyneenä tai alkoholin, huumeiden tai lääkeyhdistelmien vaikutuksen alaisena. Hetken epähuomio sähkötyökaluja käytettäessä voi johtaa vakavaan henkilövahinkoon.
- **Käytä henkilökohtaisia suojavarusteita. Pidä aina silmäsuojia.** Hengityssuojain, luistamattomat turvakengät, kypärä, kuulosuojaimet ja muut suojavarusteet niita vaativissa oloissa käytettyinä vähentävät henkilövahinkoja.
- **Estä tahaton käynnistys. Varmista, että katkaisin on OFF-asennossa ennen virtälähteen ja/tai akun kytkemistä, työkaluun tarttumista tai sen kantamista.** Sähkötyökalujen kantaminen sormi katkaisijalla tai niiden kytkeminen sähköverkkoon tai akkuun katkaisimen ollessa päällä altistaa onnettomuuksille.
- **Irrota mahdolliset säätöavaimet ennen virran kytkemistä sähkötyökaluun.** Sähkötyökalun pyöryään osaan kiinnitetty avain voi aiheuttaa henkilövahingon.
- **Älä kurota. Säilytä aina tukeva asento ja tasapaino.** Tämä mahdollistaa sähkötyökalun paremman hallinnan odottamattomissa tilanteissa.
- **Pukeudu oikein. Älä käytä löysästi istuvia vaatteita tai koruja. Pidä hiukset ja vaatteet etäällä liikkuvista osista.** Löysät vaatteet, korut tai pitkät hiukset voivat tarttua liikkuviin osiin.
- **Jos käytettävissä on kytkentämahdollisuus pölynpoistojärjestelmälle, varmista, että se kytketään ja että siitä käytetään oikein.** Pölynpoistojärjestelmän käyttö voi vähentää pölyyn liittyviä riskejä.

- **Vaikka olisit käyttänyt työkaluja usein ja tuntisit ne hyvin, muista aina ottaa huomioon työkalun turvamääräykset.** Huolimaton toiminta voi aiheuttaa vakavia vahinkoja sekunnin murto-osassa.

Sähkötyökalujen käyttö ja huolto

- **Älä pakota sähkötyökalua.** Käytä käyttötaroitukseen sopivaa sähkötyökalua. Oikea sähkötyökalu tekee työn paremmin ja turvallisemmin nopeudella, jota varten se on suunniteltu.
- **Älä käytä sähkötyökalua, jos virtaa ei voi kytkeä ja katkaista virtakatkaisimella.** Mikä tahansa sähkötyökalu, jota ei voi hallita katkaisimella, on vaarallinen, ja se pitää korjata.
- **Irrota pistoke pistorasiasta ja/tai akku sähkötyökalusta, mikäli mahdollista, ennen kuin teet mitään säätöjä, vaihdat lisävarusteita tai varastoit sähkötyökalun.** Sellaiset varoitimet vähentävät riskiä, että sähkötyökalu käynnistetään vahingossa.
- **Varastoit käyttämättömät sähkötyökalut pois lasten ulottuvilta, äläkä anna henkilöiden, jotka eivät tunne sähkötyökalua tai näitä ohjeita, käyttää sähkötyökalua.** Sähkötyökalut ovat vaarallisia kouluttamattomien käyttäjien käsissä.
- **Huolla sähkötyökaluja ja lisävarusteita. Tarkista, etteivät liikkuvat osat ole väärin suunnattuja tai tarttuvia, ettei mikään osa ole murtunut sekä kaikki muut tekijät, jotka voivat vaikuttaa sähkötyökalun toimintaan.** Jos sähkötyökalu on vahingoittunut, korjauta se ennen käyttöä. Monet onnettomuudet johtuvat huonosti huolletuista sähkötyökaluista.
- **Pidä leikkaustyökalut terävinä ja puhtaina.** Oikein huolletut leikkaustyökalut, joiden leikkausreunat ovat terävät, eivät juutu kiinni niin helposti ja ovat helpommin hallittavissa.
- **Käytä sähkötyökalua, lisävarusteita, teriä jne. näiden ohjeiden mukaisesti ottaen huomioon työskentelyolosuhteet ja suoritettavan työn laadun.** Sähkötyökalun käyttäminen ennakoituista poikkeavissa olosuhteissa voi johtaa vaaratilanteeseen.
- **Pidä kahvat ja tarttumapinnat kuivina, puhtaina ja öljyttöminä sekä puhtaana vasellinista.** Liukkaat kahvat ja tarttumapinnat eivät mahdollista työkalun turvallista käsittelyä ja hallintaa odottamattomissa tilanteissa.

Huolto

- **Anna sähkötyökalun korjaaminen pätevän korjaajan tehtäväksi, joka käyttää vain täysin samanlaisia vaihto-osia.** Tämä varmistaa, että sähkötyökalu säilyy turvallisena käyttäjä.

Yleiset turvaohjeet



VAROITUS: Lue seuraavat varoitusohjeet ennen laitteen käyttämistä.

- Tämä laite on vaarallinen työkalu, jos sitä käytetään huolimattomasti tai väärin. Tämä laite voi aiheuttaa käyttäjälle tai sivullisille vakavia vahinkoja tai kuoleman. On tärkeää, että luet ja ymmärrät tämän käyttöohjeen sisällön ennen laitteen käyttöä.
- Säädä kaikki varoitukset ja ohjeet
- Noudata kaikkia sovellettavia lakeja ja säädöksiä.
- Käyttäjän ja käyttäjän työnantajan on tunnettava laitteen käytön aiheuttamat riskit ja ehkäistävä ne.
- Älä anna kenenkään käyttää tuotetta, jos he eivät ole lukeneet käyttöohjekirjaa ja ymmärtäneet siinä annettuja ohjeita.
- Älä käytä konetta, ellet olet saanut siihen koulutusta. Varmista, että kaikki käyttäjät saavat koulutuksen.
- Älä anna lasten käyttää laitetta.
- Anna vain hyväksytyjen henkilöiden käyttää laitetta.
- Käyttäjä on vastuussa muille henkilöille tai heidän omaisuudelleen aiheutuvista vahingoista.
- Älä käytä tuotetta ollessasi väsynyt tai sairas tai jos olet alkoholin, huumaavien aineiden tai lääkkeiden vaikutuksen alaisena.
- Ole aina varovainen ja käytä tervettä järkeä.
- Laite muodostaa käytön aikana sähkömagneettisen kentän. Kenttä saattaa joissakin olosuhteissa häiritä aktiivisten tai passiivisten lääketieteellisten implanttien toimintaa. Jotta vakavilta vahingoilta tai kuolemalta vältytään, lääkinnällisiä implanteja käyttävien henkilöiden kannattaa keskustella asiasta lääkärin ja lääkinnällisen implantin valmistajan kanssa ennen tämän laitteen käyttämistä.
- Pidä laite puhtaana. Varmista, että tuotteen merkit ja tarrat ovat luettavissa.
- Älä käytä tuotetta, jos se on viallinen.
- Älä tee laitteeseen muutoksia.
- Älä käytä laitetta, jos on olemassa mahdollisuus, että muut ovat tehneet muutoksia siihen.

- Käytä henkilökohtaisia suojavarusteita. Katso kohta *Henkilökohtainen suojavarustus sivulla 129*.
- Varmista, että työalueella ei ole asiaankuulumattomia henkilöitä.
- Varmista, että työalueen sähköjohdoissa ei kulje virtaa.
- Selvitä ennen laitteen käyttöä, onko työalueella piilossa johtoja, kaapeleita tai putkia. Jos laite osuu piilossa olevaan kohteeseen, pysäytä moottori välittömästi ja tarkista laite ja kohde. Älä jatka laitteen käyttöä ennen kuin olet varma, että jatkaminen on turvallista.
- Varmista, että työskentelyasentosi on käytön aikana turvallinen ja tukeva.
- Laite voi saada esineitä sinkoutumaan nopeasti. Varmista, että kaikilla työalueella olevilla henkilöillä on hyväksytyt henkilökohtaiset suojavarusteet. Poista irralliset esineet työalueelta.
- Ennen kuin poistut laitteen luota, sammuta laitteen moottori ja varmista, ettei se voi käynnistyä vahingossa.
- Älä poistu laitteen luota kytkemättä seisontajarrua.
- Ole erittäin varovainen kaltevilla pinnoilla työskennellessäsi. Laite on painava ja voi kaatuessaan tai liikkueensa liian nopeasti aiheuttaa vakavan vahingon.
- Varmista, ettei mikään materiaali pääse irtoamaan ja aiheuttamaan vahinkoa käyttäjälle.
- Varmista, että vaatteet, pitkät hiukset tai korut eivät jää kiinni liikkuviin osiin.
- Älä käytä laitetta, jos et voi saada apua onnettomuuden sattuessa.
- Siirrä vesisäiliö turvalliselle etäisyydelle laitteesta, kun siihen on lisättävä vettä.

Maadoitettua tuotetta koskevat ohjeet



VAROITUS: Vääränlainen liitäntä voi johtaa sähköiskuun. Keskustele hyväksytyyn sähköasentajan kanssa, jos epäilet, ettei sähköpistorasiaa ole maadoitettu oikein.

Älä muokkaa virtapistoketta tehdasasetuksista. Jos virtapistoke tai virtajohto on vaurioitunut tai se on vaihdettava, ota yhteys Husqvarna-huoltoliikkeeseen. Noudata paikallisia määräyksiä ja lakeja.

Jos et ymmärrä maadoitettua tuotetta koskevia ohjeita täysin, keskustele hyväksytyyn sähköasentajan kanssa.

Käytä vain maadoitettuja, ulkokäyttöön tarkoitettuja jatkojohtoja, joissa on maadoituspistokkeet, sekä laitteen pistokkeelle sopivia maadoituspistorasioita.

Koneessa on maadoitettu virtajohto ja -pistoke. Kytke tuote aina maadoitettuun sähköpistorasiaan. Tämä pienentää sähköiskun vaaraa mahdollisessa vikatilanteessa.

Turvallisuusohjeet käyttöä varten



VAROITUS: Lue seuraavat varoitukset ennen laitteen käyttöä.

- Lue katkaisulaikan mukana toimitetut laikan valmistajan varoitusohjeet.
- Kytke laite vain virtalähteeseen, joka on suojattu soveltuvalla sulakkeella tai suojakatkaisimella (nimellisvirta enintään 30 A).
- Varmista, että laite on koottu oikein.
- Älä käytä laitetta, jos laikansuojusta ja suojakansia ei ole asennettu ja kiinnitetty asianmukaisesti.
- Älä käytä laitetta, jos laikansuojuksen etuosa on nostettu. Laikansuojuksen etuosa on laskettava alas ja kiinnitettävä asianmukaisesti niin, että se lukittuu.
- Laitteen virheellinen käyttö saattaa rikkoa katkaisulaikan ja aiheuttaa vammoja ja vaurioita.
- Opettele pysäyttämään moottori nopeasti hätätilananteen varalta.

Älä käytä sovitimia laitteen kanssa.

Henkilökohtainen suojarustus



VAROITUS: Lue seuraavat varoitusohjeet ennen laitteen käyttämistä.

- Käytä aina hyväksytyjä henkilökohtaisia suojarusteita, kun käytät laitetta. Henkilökohtaiset suojarusteet eivät poista tapaturmien vaaraa, mutta ne lieventävät vammoja onnettomuusilanteessa. Anna jälleenmyyjän auttaa oikeiden henkilökohtaisten suojarusteiden valinnassa.
- Tarkista säännöllisesti henkilökohtaisten suojarusteiden kunto.
- Käytä hyväksytyä suojakypärää.
- Käytä hyväksytyjä kuulonsuojaimia.
- Käytä hyväksytyä hengityssuojainta.
- Käytä hyväksytyjä silmäsuojaimia, joissa on sivusuojukset. Sinkoutuvat kappaleet aiheuttavat korkean silmävaurion riskin.
- Käytä suojakäsineitä.
- Käytä teräksisellä varvassuojalla ja luistamattomalla pohjalla varustettuja saappaita.
- Käytä hyväksytyjä työvaatteita tai vastaavia vartalonmyötäisiä vaatteita, joissa on pitkät hihat ja lahkeet.

Palonsammutin

- Pidä palonsammutin lähistöllä käytön aikana.
- Käytä jauhesammutinta tai hiilidioksidisammutinta.

Tuotteen turvalaitteet

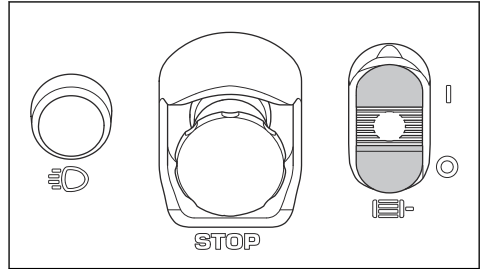


VAROITUS: Lue seuraavat varoitusohjeet ennen laitteen käyttämistä.

- Älä käytä laitetta, jos jokin sen turvalaitteista on rikki.
- Tarkasta turvalaitteet säännöllisesti. Jos turvalaitteissa on vikoja, ota yhteyttä Husqvarna-huoltoilikeeseen.

ON-painike ja OFF-painike

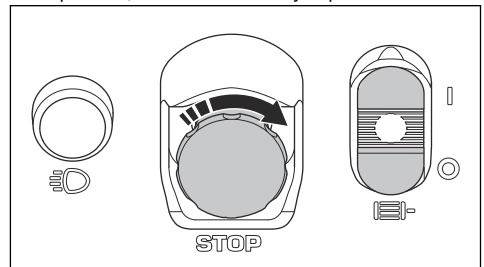
ON-painiketta (I) ja OFF-painiketta (0) käytetään moottorin käynnistämiseen ja sammuttamiseen.



ON- ja OFF-painikkeen tarkistaminen

Huomautus: Jos laite ei käynnisty, katso kohta *Laite ei käynnisty, sivulla 144.*

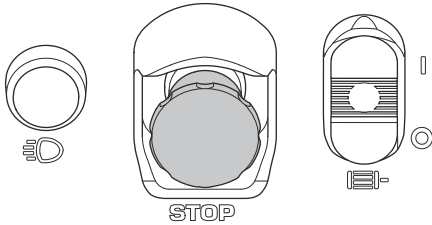
1. Irrota laite pistorasiasta.
2. Varmista, että katkaisulaikka on hieman maanpinnan yläpuolella.
3. Varmista, että katkaisulaikka ja laikan laippa ovat kiinni tiukasti ja että laikansuojus on asennettu oikein. Katso kohdat *Katkaisulaikan asentaminen sivulla 133* ja *Teränsuojuksen asennus sivulla 135*.
4. Liitä laite jatkojohdolla pistorasiaan.
5. Varmista, että koneen pysäytyspainike (STOP) on vapautettu, kääntämällä sitä myötäpäivään.



6. Käynnistä laite kääntämällä ON/OFF-painike asentoon I.
7. Odota 5 sekuntia, jotta kone alkaa käydä oikealla nopeudella.
8. Käännä ON/OFF-painike asentoon 0 ja varmista, että moottori pysähtyy.

Koneen pysäytyspainike

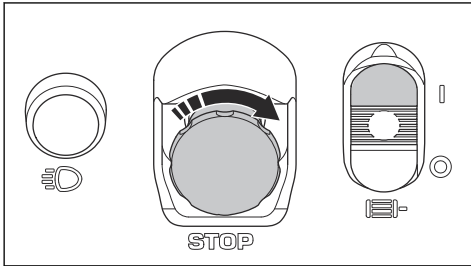
Koneen pysäytyspainike (STOP) pysäyttää moottorin. Koneen pysäytyspainike ei pysäytä valojen toimintaa.



Huomautus: Älä käytä koneen pysäytyspainiketta muutoin kuin hätätilanteessa. Katso ohjeet koneen pysäyttämiseen oikein käytön aikana kohdasta *Laitteen pysäyttäminen sivulla 139*.

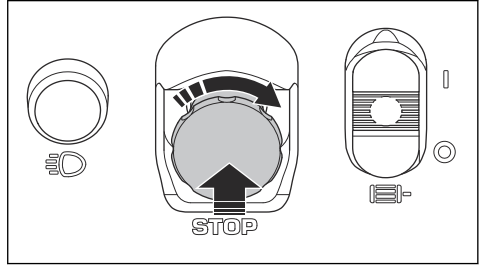
Koneen pysäytyspainikkeen tarkistaminen

1. Irrota laite pistorasiasta.
2. Varmista, että katkaisulaikka on hieman maanpinnan yläpuolella.
3. Varmista, että katkaisulaikka ja laikan laippa ovat kiinni tiukasti ja että laikansuojus on asennettu oikein. Katso kohdat *Katkaisulaikan asentaminen sivulla 133* ja *Teränsuojuksen asennus sivulla 135*.
4. Kytke koneen virtapistoke pistorasiaan.
5. Varmista, että koneen pysäytyspainike (STOP) on vapautettu, kääntämällä sitä myötäpäivään.



6. Käynnistä laite kääntämällä ON/OFF-painike asentoon I.

7. Paina koneen pysäytyspainiketta ja varmista, että moottori pysähtyy.



8. Vapauta koneen pysäytyspainike kääntämällä sitä myötäpäivään.

Laikansuojus



VAROITUS: Älä käytä laitetta, jos laikansuojus puuttuu tai se on viallinen. Varmista, että laikansuojus on asennettu ja kiinnitetty asianmukaisesti ennen laitteen käynnistämistä.

Laikansuojus estää terän kappaleita ja leikattua materiaalia sinkoutumasta käyttäjää kohti.

Laikansuojuksen tarkistaminen

- Varmista, että laikansuojus on asennettu ja kiinnitetty asianmukaisesti. Katso kohta *Teränsuojuksen asennus sivulla 135*.
- Tarkista, ettei laikansuojuksessa ole vaurioita, kuten halkeamia.
- Vaihda vaurioitunut laikansuojus.
- Vaihda laikansuojus, jos se on kolhiintunut, taipunut tai muutoin vaurioitunut.

Vetohihnan suojus



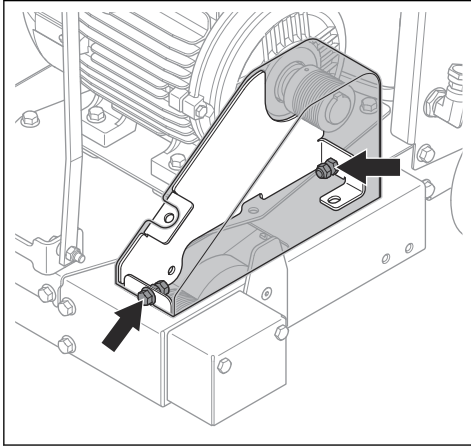
VAROITUS: Älä käytä laitetta, jos vetohihnan suojus puuttuu tai on viallinen. Varmista, että vetohihnan suojus on asennettu ja kiinnitetty asianmukaisesti ennen laitteen käynnistämistä.

Vetohihnan suojus peittää hihnapyörät ja vetohihnan.

Vetohihnan suojuksen tarkistaminen

- Varmista, että vetohihnan suojus ei ole vaurioitunut ja että siinä ei ole halkeamia. Vaihda vetohihnan suojus tarvittaessa.

- Varmista, että vetohihnan suojuksen kaksi ruuvia on paikallaan ja kiristetty asianmukaisesti.



Turvaohjeet huoltoa varten

- Pidä kaikki osat hyväkuntoisina ja varmista, että kaikki kiinnikkeet ovat kunnolla kiinni.
- Älä käytä viallista konetta. Suorita tässä käyttöohjeessa mainitut turvallisuustarkastukset sekä huolto- ja kunnossapitotyöt. Kaikki muut huoltotoimet on tehtävä valtuutetussa huoltoliikkeessä.
- Pysäytä moottori ja irrota virtapistoke, kun vaihdat timanttityökaluja.
- Suorita tarkastukset ja/tai kunnossapitotoimenpiteet moottori sammutettuna ja virtapistoke irrotettuna.
- Suorita huolto, jotta kone toimii varmasti oikein. Katso kohta *Huoltokaavio sivulla 142*.

Käyttö

Johdanto



VAROITUS: Lue ja sisäistä turvallisuutta käsittelevä luku ennen laitteen käyttöä.

Toimet ennen koneen käyttämistä

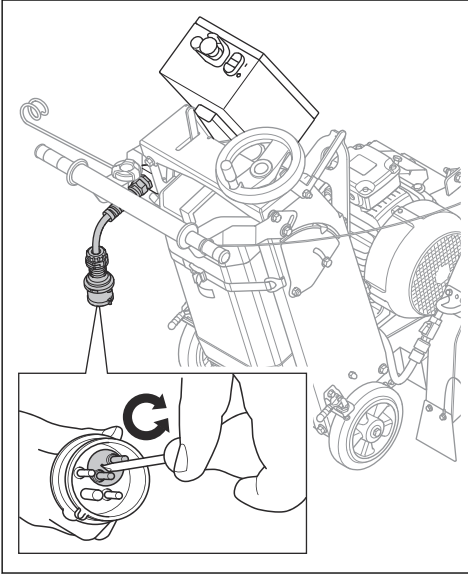


HUOMAUTUS: Älä käytä jatkojohtoa, joka on pidempi kuin 25 m ja halkaisijaltaan alle 2,5 mm².

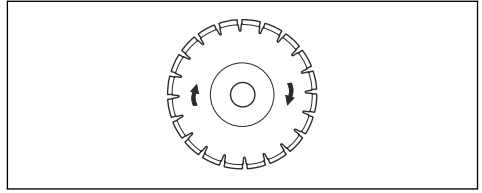
- Lue käyttöohje huolellisesti ja varmista, että ymmärrät sen sisältämät ohjeet.
- Lue katkaisulaikan mukana toimitetut laikan valmistajan ohjeet.
- Tee seuraavat toimet aina ennen laitteen käyttöä:
 - a) Suorita päivittäinen huolto. Katso kohta *Huoltokaavio sivulla 142*.
 - b) Tee linjamerkinnot kaikille leikkauksille. Valmistele toimintavaihe huolellisesti, sillä se auttaa ehkäisemään vahinkoja ja vaurioita.
 - c) Varmista, että katkaisulaikka ja teränsuojus on asennettu oikein. Katso kohdat *Katkaisulaikan asentaminen sivulla 133* ja *Teränsuojuksen asennus sivulla 135*.
 - d) Säädä kahva sopivaan käyttöasentoon. Katso kohta *Työntöaisan korkeuden säätäminen sivulla 132*.
 - e) Täytä vesisäiliö tai liitä kone ulkoiseen vedensyöttöön. Katso kohdat *Vesisäiliön täyttäminen sivulla 137* ja *Ulkoisen vedensyötön liittäminen sivulla 138*.

- f) Varmista, että teränsuojuksen vesiletku on avoin. Katkaisulaikan kummankin puolen on saatava riittävästi vettä.
- g) Varmista, että osoitin on linjassa katkaisulaikan kanssa. Katso kohta *Osoittimen kohdistaminen katkaisulaikan mukaan sivulla 136*.
- h) Liitä laitteen virtajohto jatkojohtoon ja sitten pistorasiaan.

- i) Joissakin oloissa vaiheiden järjestys on käännettävä. Katso kohta *Virheen merkkivälillä 145*.



- j) Varmista, että koneen pysäytyspainike on vapautettu, kääntämällä sitä myötäpäivään.



HUOMAUTUS: Käytä aina terävää timanttilaikkaa.

Timanttilaikkoja on useita erilaisia eri tarkoituksiin: tuoreesta betonista kovettuneeseen betoniin ja asfalttiin ja eri kovuusasteille.

Timanttilaikoissa on teräskeskiö ja teollisuustimanteista valmistetut segmentit.

Vesijäähdytysjärjestelmä

Käytä käytön aikana aina vettä, jotta timanttilaikan lämpötila pysyy aisoissa. Vesijäähdytysjärjestelmä myös pidentää timanttilaikkojen käyttöikää ja ehkäisee pölyn kertymistä.

Varmista, että vedensyöttö ei ole tukossa.

Märkäkatkaisuun tarkoitetut timanttiterät



VAROITUS: Käytä aina terän laippaa, jonka koko vastaa käytössä olevan terän kokoa. Älä käytä varioituneita terän laippoja.

Kitka kuumentaa timanttilaikan käytön aikana erittäin kuumaksi. Jos timanttilaikka ylikuumentuu, terän kireys alenee tai sen keskiö halkeaa.

Anna timanttilaikan viilentyä ennen kuin kosket siihen.

- Märkäleikkuuseen tarkoitettuja timanttilaikkoja on käytettävä veden kanssa, jotta terän keskiö ja segmentit pysyvät viileinä leikkaamisen aikana. Märkäleikkuuseen tarkoitettuja timanttilaikkoja ei saa käyttää kuivina.
- Jos märkäleikkuuseen tarkoitettuja timanttilaikkoja käytetään ilman vettä, laikka saattaa kuumentua liikaa. Tämä alentaa laikan tehoa, ja laikan vaurioituminen on turvallisuusriski.

Työntöaisan korkeuden säätäminen

Kahvan voi säätää halutulle korkeudelle.

Katkaisulaikat



VAROITUS: Älä käytä katkaisulaikkaa muille kuin sille suunnitelluille materiaaleille.



VAROITUS: Käytä timanttilaikkoja vain märkäleikkuuseen. Timanttilaikan on sovelluttava vähintään laitteen arvokilvessä ilmoitetulle nopeudelle. Käytä ainoastaan katkaisulaikkoja, jotka ovat kansallisten tai alueellisten standardien mukaisia (esimerkiksi EN13236 tai ANSI B7.1).

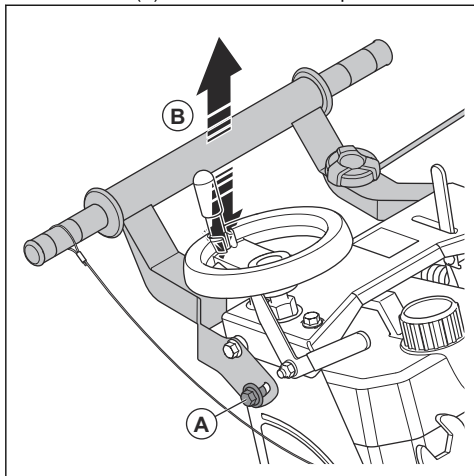
Katkaisulaikan valmistaja antaa turvaohjeita ja suosituksia laikan asianmukaisesta käytöstä ja huollosta. Turvaohjeet toimitetaan katkaisulaikan mukana.

Timanttilaikat



VAROITUS: Varmista, että timanttilaikan pyörimissuunta on linjassa laitteessa näkyvän pyörimissuunnan kanssa.

1. Irrota ruuvit (A) laitteen kummaltakin puolelta.



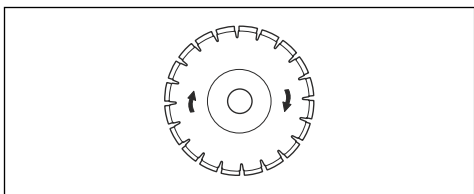
2. Aseta sopiva työkorkeus (B).
3. Kiristä ruuvit (A).

Katkaisulaikan asentaminen

Katkaisulaikan voi asentaa laitteen oikealle ja vasemmalle puolelle.



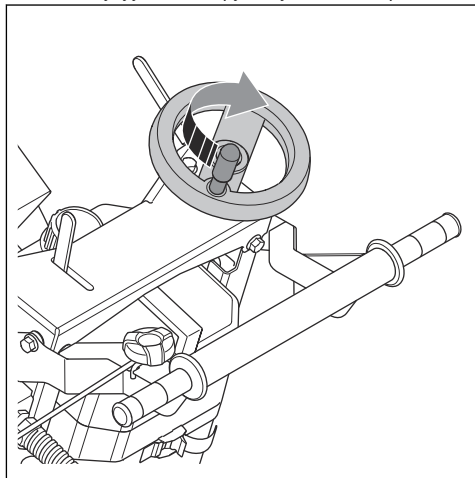
HUOMAUTUS: Jos katkaisulaikka asennetaan siten, että se pyörii väärään suuntaan, laikka saattaa vaurioitua. Varmista, että katkaisulaikka pyörii laikassa olevan nuolen osoittamaan suuntaan.



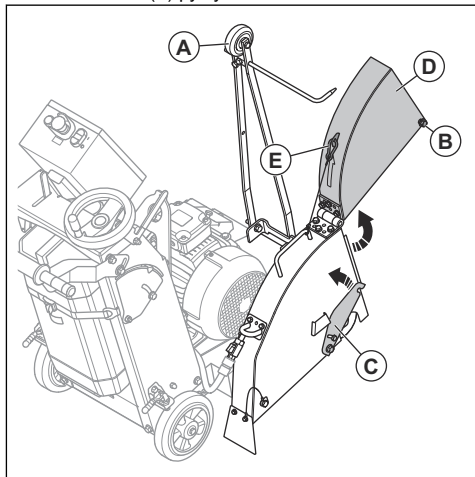
Huomautus: Leikkuusvyyden säätöpyörän vivun on aina oltava lukittuna, kun leikkuusvyyden säätöpyörää ei käytetä.

1. Pysäytä moottori ja irrota laite pistorasiasta.

2. Nosta katkaisulaikka täysin ylös kääntämällä leikkuusvyyden säätöpyörää myötäpäivään. Lukitse leikkuusvyyden säätöpyörä työntämällä vipua.

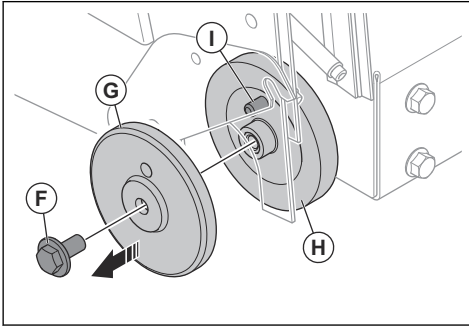


3. Laikansuojus on asennettava samalle puolelle kuin katkaisulaikka. Jos laikansuojusta ei ole asennettu asianmukaiselle puolelle, katso *Teränsuojuksen asennus sivulla 135*.
4. Nosta osoitin (A) pystyasentoon.



5. Löysää laikansuojuksen etupulttia (B) ja nosta laikansuojuksen salpaa (C).
6. Nosta laikansuojuksen etuosaa (D).
7. Lukitse laikansuojus pystyasentoon vaijerilla ja karbiinihaalla (E).

8. Irrota laikan ruuvi (F) mukana toimitetulla avaimella ja vasta-avaimella.



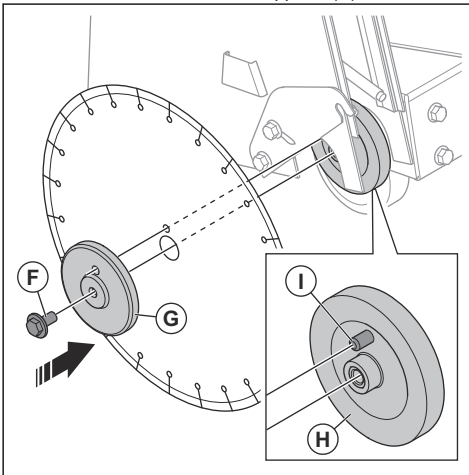
Huomautus: Laitteen oikealla puolella olevassa laikan ruuvissa on vasenkätinen kierre. Laitteen vasemmalla puolella olevassa laikan ruuvissa on oikeakätinen kierre.

9. Irrota laikan laippa (G).



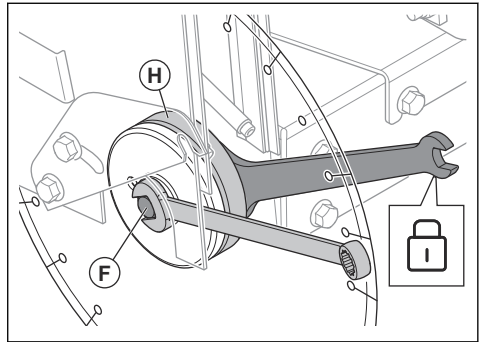
VAROITUS: Vahingoittuneet tai likaiset osat voivat estää katkaisulaikan asianmukaisen asennuksen. Tarkista laikan ruuvi (F), laikan laippa (G), sisälaippa (H) ja lukitustappi (I) vaurioiden varalta. Vaihda kuluneet tai vahingoittuneet osat. Puhdista katkaisulaikan ja laippojen kosketuspinnat. Puhdista laikan ruuvin ja sisälaipan kierteet.

10. Asenna katkaisulaikka sisälaippaan (H).



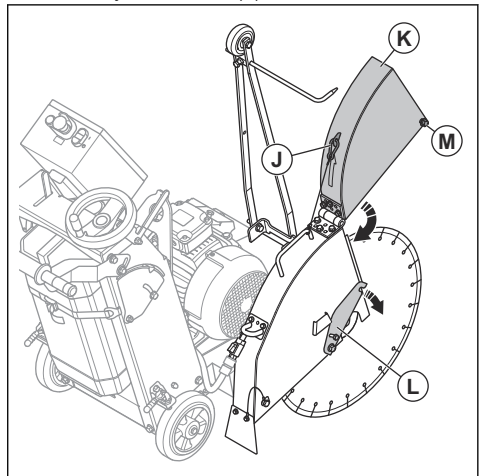
11. Asenna laikan laippa (G) ja laikan ruuvi (F). Varmista, että sisälaipan lukitustappi (I) menee katkaisulaikan läpi laikan laippaan (G).

12. Pidä katkaisulaikasta kiinni ja työnnä sitä pyörimissuuntaa vastaan. Kiristä samalla laikan ruuvi (F) mukana toimitetulla avaimella.
13. Lukitse sisälaippa (H) mukana toimitetulla avaimella ja kiristä laikan ruuvi (F) toisella mukana toimitetulla avaimella.



14. Kiristä laikan ruuvi (F) kiristysmomenttiin 100 Nm (74 ft lbs).

15. Irrota laikansuojus karbiinihaasta (J) ja laske laikansuojuksen etuosa (K) alas.



16. Aseta laikansuojuksen salpa (L) laikansuojuksen etupulttiin. Kiristä laikansuojuksen etupultti (M).



HUOMAUTUS: Älä käytä laitetta, jos laikansuojuksen etuosa ei ole laskettuna ja laikansuojuksen salpa ei ole kytketty. Älä käytä laitetta, jos sen osat ovat vaurioituneet

17. Varmista, että laitteen vastakkaisella puolella oleva laikan ruuvi on kiristetty.
18. Käynnistä laite. Katso kohta *Laitteen käynnistäminen sivulla 139*.

19. Kuuntele, kuuluuko epätavallisia ääniä. Jos epätavallisia ääniä kuuluu, poista katkaisulaikka.
- Tarkista katkaisulaikka vaurioiden varalta.
 - Asenna katkaisulaikka takaisin paikalleen. Vaihda katkaisulaikka, jos se on vaurioitunut.

Katkaisulaikan irrottaminen



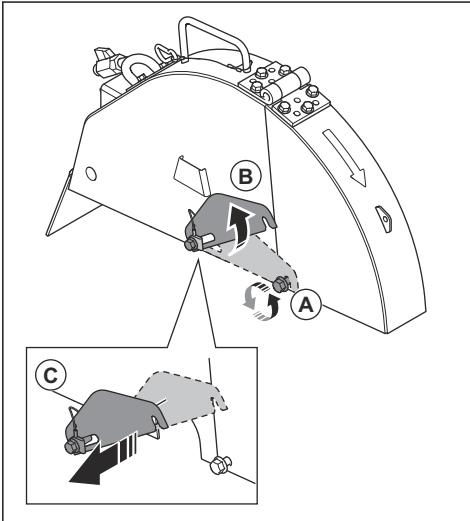
VAROITUS: Anna koneen jäähtyä ja käytä suojakäsineitä, kun irrotat timanttilaiikat. Timanttilaiikat ovat erittäin kuumia käytön jälkeen.

- Timanttilaiikat irrotetaan asennukseen nähden päinvastaisessa järjestyksessä. Katso kohta *Katkaisulaikan asentaminen sivulla 133*.

Teränsuojuksen asennus

Laikansuojus on asennettava samalle puolelle kuin katkaisulaikka. Siirrä laikansuojuksen salpa tarvittaessa laikansuojuksen asianmukaiselle puolelle.

- Jos laikansuojuksen salpaa ei ole asennettu laikansuojuksen asianmukaiselle puolelle, toimi seuraavasti.
 - Löysää laipan suojuksen kaksi ruuvia ja irrota laipan suojuksen.
 - Löysää laikansuojuksen etupulttia (A) ja nosta laikansuojuksen salpaa (B).

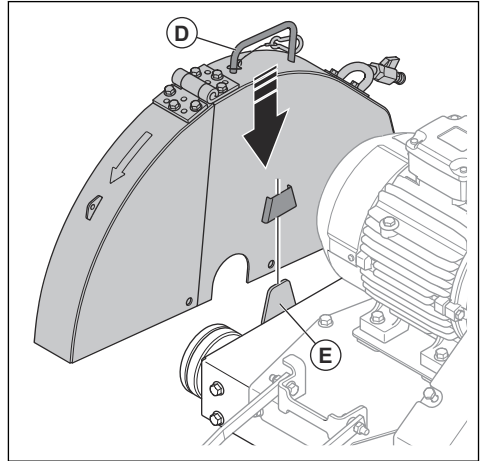


- Irrota takapultti ja laikansuojuksen salpa (C).
- Siirrä laikansuojuksen salpa laikansuojuksen vastakkaiselle puolelle. Toimi seuraavasti.
 - Asenna laikansuojuksen salpa ja kiristä takapultti.
 - Aseta laikansuojuksen salpa laikansuojuksen etupulttiin. Kiristä etupultti (A).

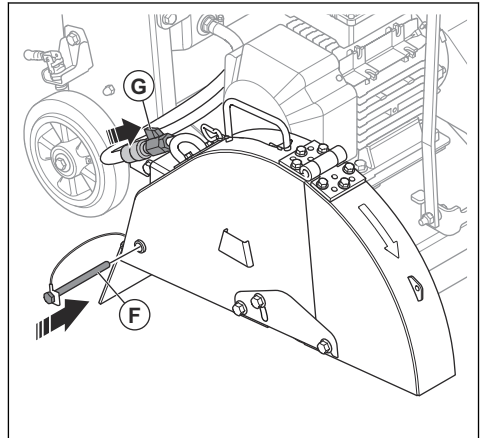


HUOMAUTUS: Älä käytä laitetta, jos laikansuojuksen salpaa ei ole kytketty. Älä käytä laitetta, jos sen osat ovat vaurioituneet.

- Nosta laikansuojusta kahvasta (D) ja asenna laikansuojus kannattimeen (E).

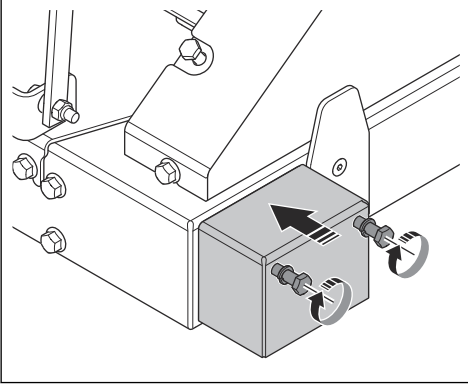


- Asenna laikansuojuksen ruuvi (F).



- Liitä vesiletku (G).

6. Asenna laipan suojus laitteen vastakkaiselle puolelle ja kiristä kaksi ruuvia.



Teränsuojuksen poistaminen

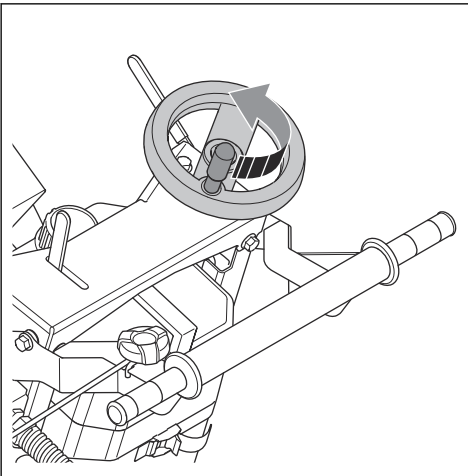
1. Pysäytä moottori. Katso kohta *Laitteen pysäyttäminen sivulla 139*.
2. Irrota laikansuojus asennukseen nähden päinvastaisessa järjestyksessä. Katso kohta *Teränsuojuksen asennus sivulla 135*.

Leikkusyvyyden ilmaisimen asettaminen

Ilmaisim on kalibroitava ennen laitteen käyttöä.

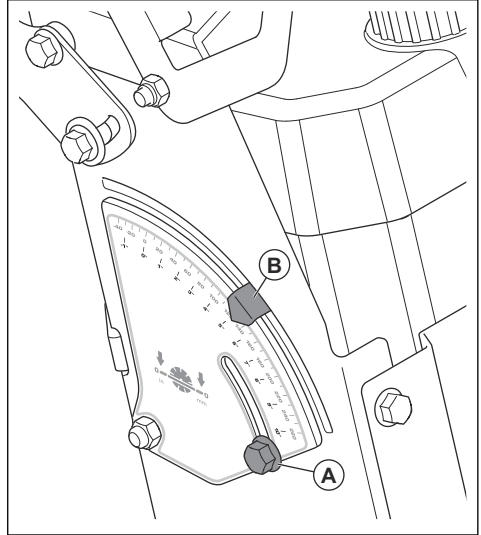
Huomautus: Leikkusyvyyden säätöpyörän vivun on aina oltava lukittuna, kun leikkusyvyyden säätöpyörää ei käytetä.

1. Käännä leikkusyvyyden säätöpyörää, kunnes katkaisulaikka koskettaa maata kevyesti. Lukitse leikkusyvyyden säätöpyörä työntämällä vipua.



HUOMAUTUS: Älä laske katkaisulaikkaa liian nopeasti. Jos laikka osuu pintaan voimalla, se voi vaurioitua.

2. Avaa ruuvi (A).



3. Käännä merkikilvyä, kunnes asento 0 on nuolen (B) keskellä.
4. Kiristä ruuvi (A).



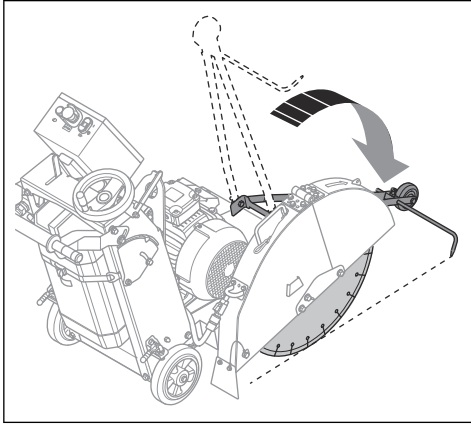
HUOMAUTUS: Tarkista aina, että leikkusyvyys on asianmukainen. Merkkilevy auttaa saavuttamaan oikean leikkusyvyyden, mutta se ilmaisee vain ohjeellisen syvyysarvon.

Osoittimen kohdistaminen katkaisulaikan mukaan

Huomautus: Osoitin on kohdistettava katkaisulaikkaan.

1. Aseta sisälaippa jonkin viivan päälle.

2. Laske osoitin alas ja kohdista laite merkkin mukaan.



3. Kohdista osoitin viivaan.
4. Säädä osoitinta tarvittaessa siten, että se on linjassa viivan kanssa.

Perustyöskentelymenetelmät

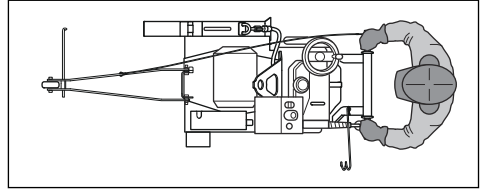


VAROITUS: Teräksesi pyörii, kun moottori käynnistetään.

- Varmista, että voit aina painaa laitteen pysäytyspainiketta käytön aikana.
- Tarkista, ettei laitteen päälle ole jäänyt työkaluja tai muita esineitä.
- Pidä laite hallinnassa moottorin käynnistyksen aikana.
- Varmista, että teränsuojus on kiinnitetty oikein ennen laitteen käynnistämistä. Älä leikkaa ilman teränsuojusta.
- Tee linjamerkinnyt kaikille leikkauksille ennen käytön aloittamista. Varmista, että käyttäjälle tai laitteelle ei aiheudu vaaraa.
- Älä käännä, kierrä tai liikuta laitetta puolelta toiselle katkaisulaikan pyöriessä.
- Varmista, että lähetyvillä on aina toinenkin henkilö, kun käytät laitetta. Onnettomuustilanteessa tämä toinen henkilö voi auttaa sinua.
- Älä poistu laitteen luota kytkemättä seisontajarrua.

Oikea työskentelyteknikka

- Pysy poissa laikan reitiltä, kun moottori on käynnissä. Kuljettajan paikka on laitteen takana niin, että molemmat kädet ovat kahvoilla.



- Tarkasta laikka halkeamien ja rikkoutuneiden osien varalta useasti työpäivän aikana. Älä käytä vaurioitunutta katkaisulaikkaa.



VAROITUS: Sammuta moottori ja irrota virtapistoke ennen katkaisulaikan tutkimista.

- Älä hio katkaisulaikan reunalla. Katkaisulaikka voi rikkoutua ja aiheuttaa kuljettajan tai sivullisten loukkaantumisen. Käytä vain laikan leikkaavaa särmää.
- Älä käännä tai kierrä katkaisulaikkaa leikkuu-urassa.
- Varmista, että katkaisulaikka pääsee liikkumaan vapaasti eikä juutu uraan.

Vedensyöttö

Katkaisulaikalle on varmistettava riittävä vedensyöttö käytön aikana. Käytä laitteen vesisäiliötä tai ulkoista vesiletkeä. Katso kohdat *Vesisäiliön täyttäminen sivulla 137* ja *Ulkoisen vedensyötön liittämisen sivulla 138*.

Vesisäiliön täyttäminen

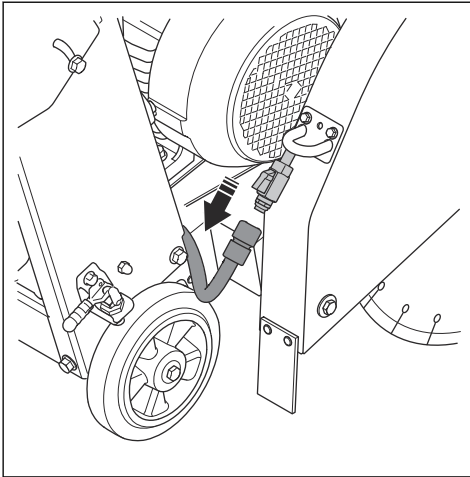


VAROITUS: Lisää säiliöön vain vettä. Älä lisää vesisäiliöön mitään muita nesteitä.

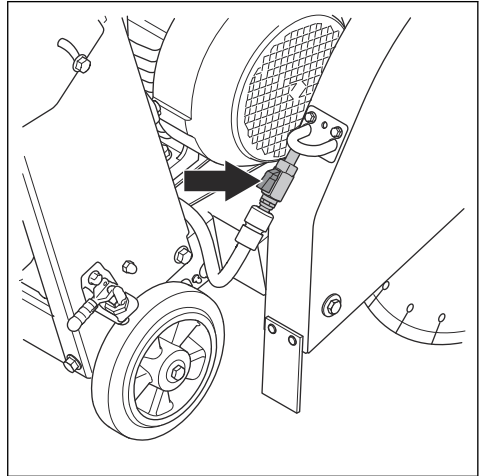


VAROITUS: Varmista, että katkaisulaikka on hieman maanpinnan yläpuolella, kun säädät vedensyöttöä vesihanalla.

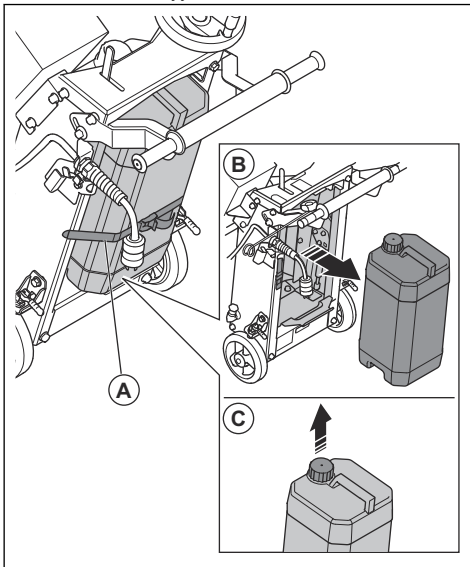
1. Sulje vesihana ja irrota vesiletku.



7. Säädä vedensyöttöä kääntämällä laikansuojuksen vesihanana.



2. Irrota vesisäiliön hihna (A) ja vesisäiliö (B). Vältä veden joutuminen laitteen päälle. Siirrä vesisäiliö turvalliselle etäisyydelle laitteesta.



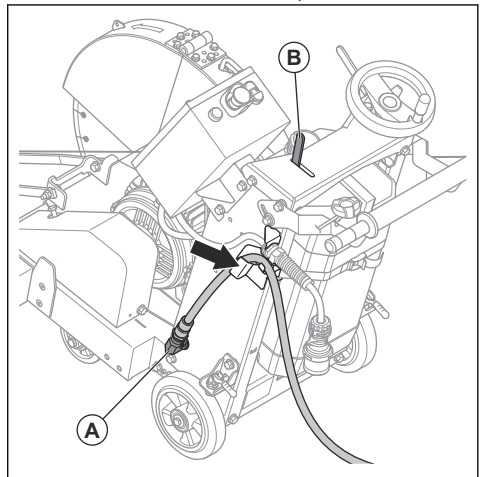
3. Irrota vesisäiliön kansi (C) ja täytä vesisäiliö vedellä.
4. Asenna vesisäiliön kansi.
5. Asenna vesisäiliö.
6. Asenna vesisäiliön hihna ja liitä vesiletku.

Ulkoisen vedensyötön liittäminen

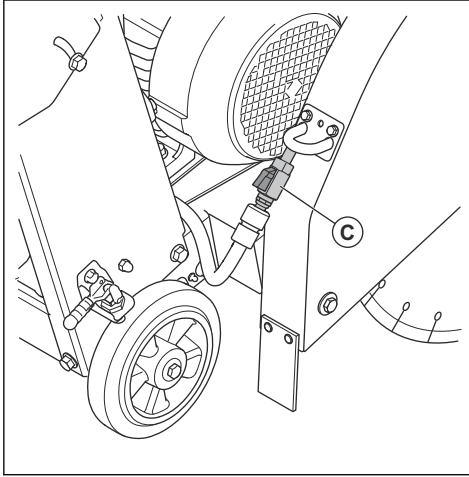


VAROITUS: Varmista, että katkaisulaikka on hieman maanpinnan yläpuolella, kun säädät vedensyöttöä vesihanalla.

1. Liitä ulkoinen vesiletku veden tuloliitäntään (A). Aseta ulkoinen vesiletku letkun pidikkeeseen.



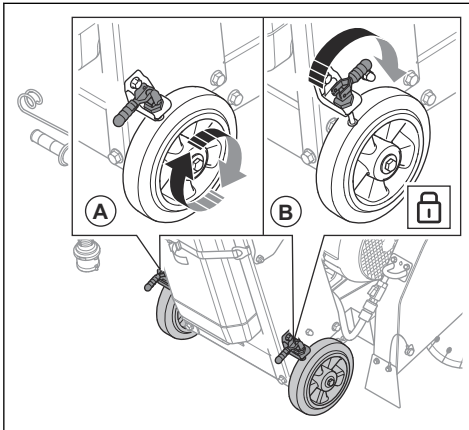
2. Käynnistä tai pysäytä vedensyöttö työntämällä vesiventtiiliä (B) tai kääntämällä laikansuojuksen vesihanaa (C).



3. Säädä vedensyöttöä työntämällä vesiventtiiliä tai kääntämällä laikansuojuksen vesihanaa.

Seisontajarrun kytkeminen ja vapauttaminen

1. Kun haluat liikuttaa laitetta, vapauta seisontajarru (A).



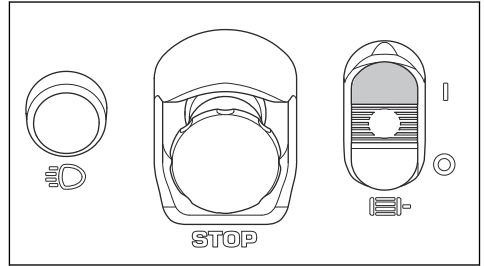
2. Pidä laite paikallaan kytkemällä seisontajarru (B).

Laitteen käynnistäminen



VAROITUS: Varmista, että katkaisulaikka on hieman maanpinnan yläpuolella.

- Käynnistä laite kääntämällä ON/OFF-painike asentoon I. Alle 5 sekunnin kuluessa kone alkaa käydä oikealla toimintanopeudella.



Käytön pysäyttäminen

Huomautus: Leikkuusvyödyden säätöpyörän vivun on aina oltava lukittuna, kun leikkuusvyödyden säätöpyörää ei käytetä.

1. Vapauta leikkuusvyödyden säätöpyörä vetämällä vipua.
2. Käännä leikkuusvyödyden säätöpyörää myötäpäivään, kunnes katkaisulaikka on hieman maanpinnan yläpuolella.
3. Lukitse leikkuusvyödyden säätöpyörä työntämällä vipua.
4. Pysäytä vedensyöttö kääntämällä vesihanaa tai painamalla vesiventtiiliä. Katso kohta *Ulkoisen vedensyötön liittäminen sivulla 138*.

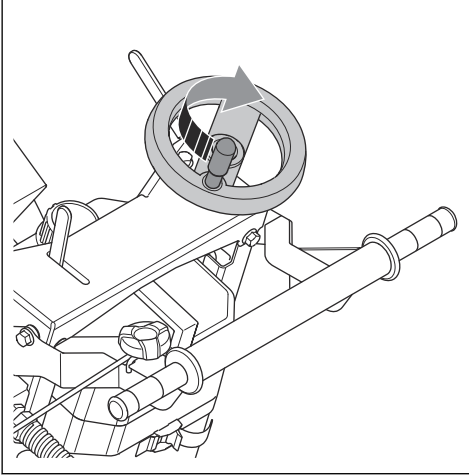
Laitteen pysäyttäminen



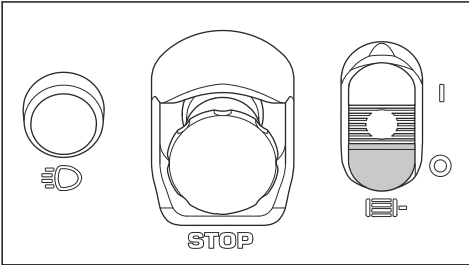
VAROITUS: Katkaisulaikka pyörii hetken moottorin sammuttamisen jälkeen.

Huomautus: Leikkuusvyödyden säätöpyörän vivun on aina oltava lukittuna, kun leikkuusvyödyden säätöpyörää ei käytetä.

1. Nosta katkaisulaikka ylös kääntämällä leikkuusvyödyden säätöpyörää myötäpäivään. Lukitse leikkuusvyödyden säätöpyörä työntämällä vipua.



2. Pysäytä moottori kääntämällä ON/OFF-painike asentoon 0.



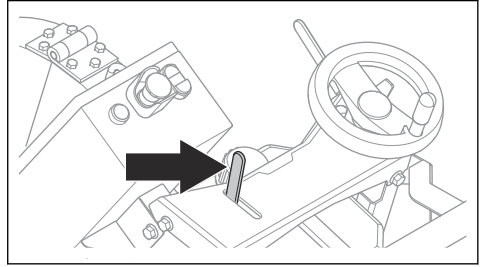
3. Kytke seisontajarru.
4. Irrota sähköpistoke.

Pinnan leikkaaminen

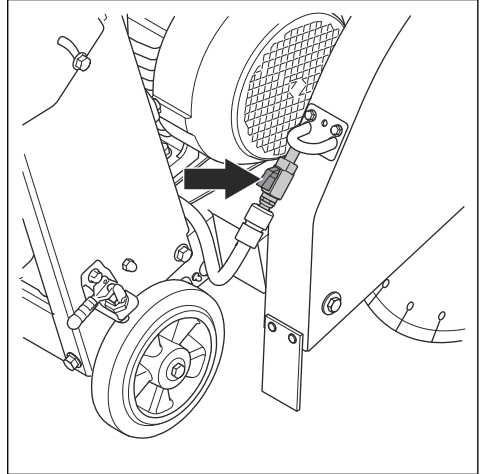
Huomautus: Leikkuusvyödyden säätöpyörän vivun on aina oltava lukittuna, kun leikkuusvyödyden säätöpyörää ei käytetä.

1. Aseta katkaisulaikka linjaan maassa olevien merkkien tai ohjausuran kanssa.

2. Jos käytössä on ulkoinen vesiletku, vedensyötön voi käynnistää ja lopettaa työntämällä vesiventtiiliä

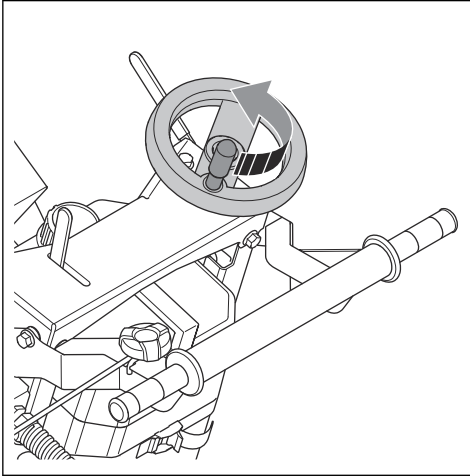


3. Säädä vedensyöttöä kääntämällä vesihanaa.

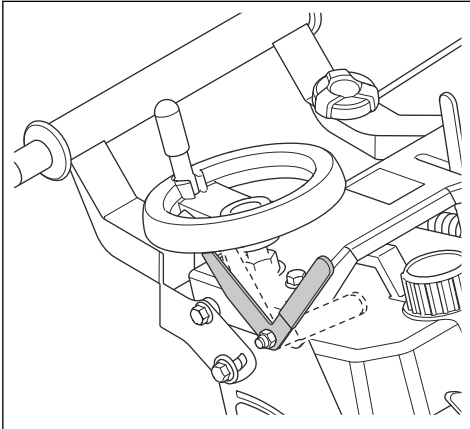


4. Tarkista veden virtaus. Säädä veden virtausta tarvittaessa.
5. Käynnistä moottori. Katso kohta *Laitteen käynnistäminen sivulla 139.*

6. Laske katkaisulaikka alas kääntämällä leikkuusyvyyden säätöpyörää hitaasti vastapäivään.



7. Leikkaa noin 20–30 mm:n ura ohjauraksi.
8. Jatka leikkaamista 50 mm:n pätkissä, kunnes saavutat halutun syvyyden. Lukitse leikkuusyvyyden säätöpyörä työntämällä vipua.



9. Säädä vedensyöttöä, kun käytät laitetta. Katkaisulaikan kummankin puolen on saatava riittävästi vettä, jotta katkaisulaikka jäähtyy. Vesi estää myös pölyn kertymisen.
10. Leikkaa vain suoraa linjaa ja kohdista katkaisulaikka merkintöihin.

11. Työnnä laitetta hitaasti eteenpäin ja varmista, että osoitin ja katkaisulaikka kulkevat merkintöjä pitkin.



HUOMAUTUS: Älä yritä kohdistaa katkaisulaikkaa merkintöihin liikuttamalla laitetta puolelta toiselle.

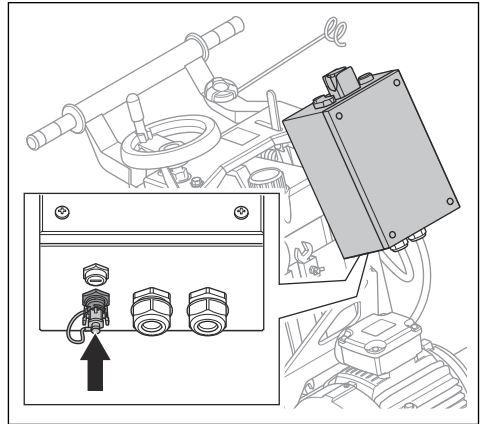
Valosarjan käyttäminen

Valosarja on lisävaruste. Käytä vain valosarjoja, jotka Husqvarna on hyväksynyt, ja käytä liittämiseen työvalojen 24 V:n liittintä.

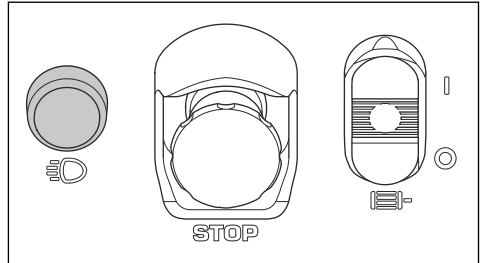


VAROITUS: Älä katso valonsäteeseen.

1. Asenna valosarja työvalojen 24 V:n liittintään.



2. Syytä valosarja painamalla valokytkintä.



3. Sammuta valosarja painamalla valokytkintä uudelleen.

Huolto

Johdanto



VAROITUS: Lue ja sisäistä turvallisuutta käsittelevä luku ennen laitteen huoltamista.

Kaikkiin tuotteelle tehtäviin huolto- ja korjaustöihin tarvitaan erityiskoulutus. Takaamme, että laite huolletaan ja korjataan ammattimaisesti. Jos jälleenmyyjäsi ei ole huoltoliike, pyydä jälleenmyyjää neuvomaan lähin huoltoliike.

Jos tarvitset varaosia, ota yhteyttä paikalliseen Husqvarna-jälleenmyyjään tai -huoltoliikkeeseen.

Huoltoa edeltävät toimet

- Pysäköi laite tasaiselle alustalle ja sammuta moottori. Paina koneen pysäytyspainiketta, jotta se ei voi käynnistyä vahingossa huollon aikana.

Huoltokaavio

Huolto	Päivittäin	Kuukausittain
Puhdista laitteen ulkopinnat vedellä. Katso kohta <i>Laitteen puhdistaminen sivulla 142.</i>	X	
Tee yleistarkastus. Katso kohta <i>Yleistarkastus sivulla 143.</i>	X	
Tarkista vetohihna. Säädä vetohihnan kireyttä tarvittaessa. Katso kohta <i>Vetohihnan kireyden säätäminen sivulla 143.</i>	X	
Tarkista laitteen pysäytyspainike. Katso kohta <i>Koneen pysäytyspainikkeen tarkistaminen sivulla 130.</i>	X	
Tarkista ON- ja OFF-painikkeet. Katso kohta <i>ON- ja OFF-painikkeen tarkistaminen sivulla 129.</i>	X	
Tarkista veden virtaus. Jos veden virtaus ei ole riittävällä tasolla, tarkista vedensuodatin. Puhdista vedensuodatin tarvittaessa. Katso kohta <i>Vedensuodattimen puhdistaminen sivulla 143.</i>	X	
Tarkista teränsuojukset. Katso kohta <i>Laikansuojuksen tarkistaminen sivulla 130.</i>	X	
Tarkista katkaisulaikka. Katso kohta <i>Katkaisulaikat sivulla 132.</i>	X	
Voitele leikkuvyöyden säätövivun laakerit. Katso kohta <i>Koneen voitelemine sivulla 144.</i>	X	
Voitele vetohihnan levyn ja akselin mutteri. Katso kohta <i>Koneen voitelemine sivulla 144.</i>		X

Laitteen puhdistaminen



VAROITUS: Käytä suojalaseja. Puhdistamisen aikana laitteesta saattaa sinkoutua likaa ja haitallista materiaalia.



HUOMAUTUS: Tukkeutunut ilmanottoaukko heikentää koneen suorituskykyä ja voi ylikuumentaa moottorin.

- Anna laitteen jäähtyä ennen puhdistamista.
- Älä puhdista sähköisiä osia vedellä.

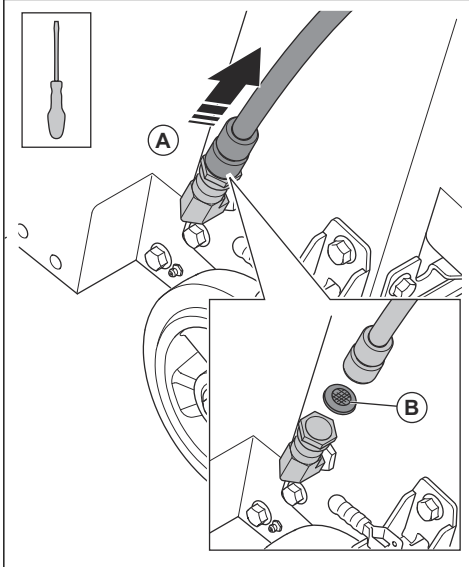
- Käytä mietoa puhdistusainetta. Ehkäise ihoärsytystä käyttämällä suojakäsineitä.
- Puhdista kaikki laitteet työpäivän päätteeksi. Älä käytä laitteen puhdistamiseen painepesuria.
- Poista tukokset kaikista ilma-aukoista.

Vedensuodattimen puhdistaminen



HUOMAUTUS: Tukkeutunut vedensuodatin vähentää veden virtausta katkaisulaikkaan ja voi aiheuttaa laikan kuumentumisen.

1. Irrota ulkoinen vesiletku (A) veden tuloliitännästä.



2. Irrota vedensuodatin (B) litteäpäisellä ruuvimeisselillä.
3. Tarkista vedensuodatin. Puhdista vedensuodatin tarvittaessa.
4. Asenna vedensuodatin ja liitä ulkoinen letku.

Yleistarkastus

- Varmista, että laitteen kaikki ruuvit ja mutterit on kiristetty.
- Varmista, että laitteen kaapelit on asennettu siten, että ne eivät vahingoitu.
- Tarkista sähköosat vaurioiden varalta. Älä käytä laitetta, jossa on vaurioituneita sähköosia.
- Tarkista vesiletkut vuotojen varalta. Älä käytä laitetta, jossa on vaurioituneita vesiletkuja.

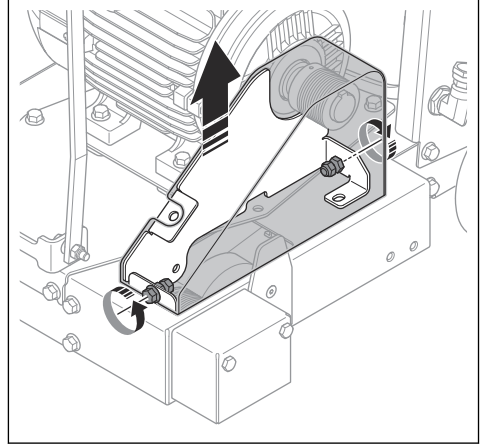
Vetohihnan kireyden säätäminen



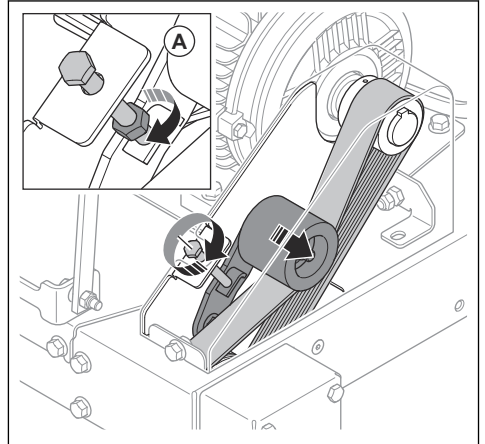
HUOMAUTUS: Varmista, että vetohihna ei ole vaurioitunut.

Uuden hihnan kireyttä on säädettävä kahden tunnin jälkeen.

1. Avaa 2 ruuvia ja irrota vetohihnan suojus.



2. Avaa lukitusmutteri (A).



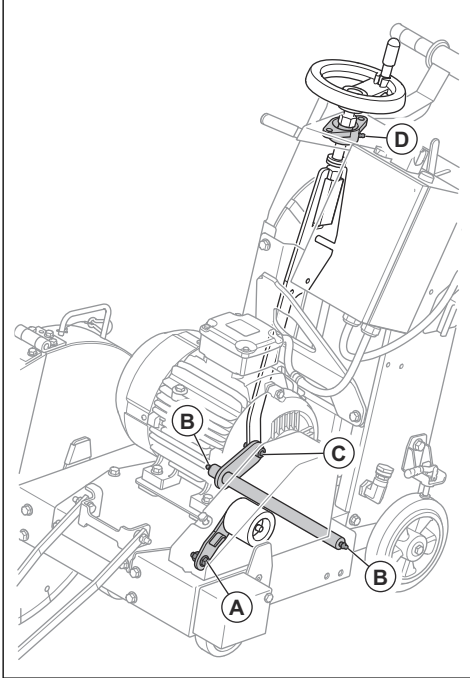
3. Säädä vetohihnapyörän painetta vetohihnaa vasten kiertämällä kiristysruuvia. Vetohihnan kireys on oikea, kun vetohihnan taajuus on kohdassa *Tekniset tiedot sivulla 146* annetun välin mukainen.
4. Kiristä lukitusmutteri.
5. Asenna vetohihnakotelo ja kiristä kaksi ruuvia.

Koneen voiteleminen

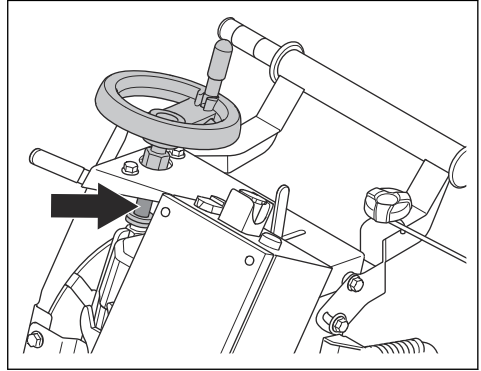
Huomautus: Leikkuusvyöyden säätöpyörän vivun on aina oltava lukittuna, kun leikkuusvyöyden säätöpyörää ei käytetä.

Voitele seuraavaksi mainitut osat. Voitele niin runsaasti, että rasvaa näkyy reunoilla. Tarkista oikea rasva kohdasta *Tekniset tiedot sivulla 146*.

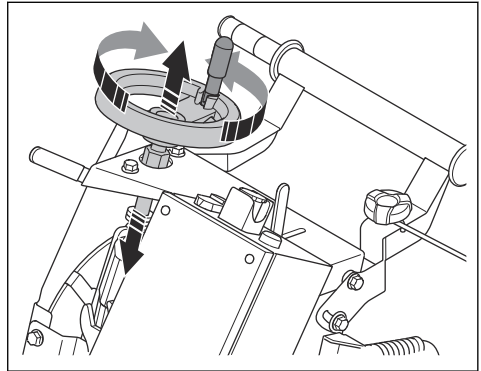
1. Liitä voiteluruisku voitelunippoihin.
2. Voitele vetohihnan levyn holkki (A) harjalla.
3. Voitele holkit (B) laitteen vasemmalta ja oikealta puolelta. Käytä voiteluruiskua.



4. Voitele akseli (C) harjalla.
5. Voitele leikkuusvyöyden säätövivun voitelupisteet (D). Käytä voiteluruiskua.
 - a) Voitele mutterin alla oleva akseli.



- b) Käännä leikkuusvyöyden säätöpyörää toistuvasti myötäpäivään ja vastapäivään ja voitele tasaisesti. Lukitse leikkuusvyöyden säätöpyörä työntämällä vipua.



Vianmääritys

Laite ei käynnisty.

- Varmista, että virtalähde ja virtajohdot eivät ole vahingoittuneet.
- Tarkista laitteen pysäytyspainike. Vapauta painike kääntämällä sitä myötäpäivään.
- Tarkasta virheen merkkivalo. Katso kohta *Virheen merkkivalo sivulla 145*.

Tuote pysähtyy yhtäkkiä

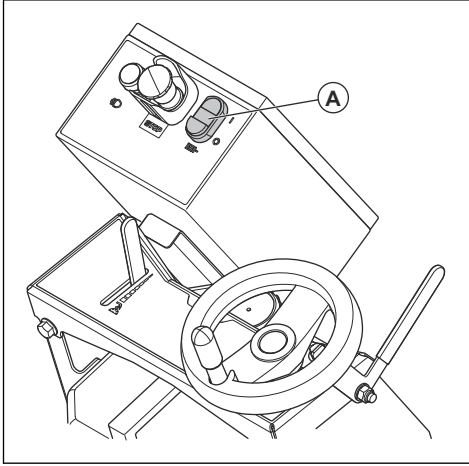
- Jos kuormitus on laitteelle liian suuri, moottorin suojaus kytkeytyy käyttöön ja pysäyttää moottorin. Katso kohta *Virheen merkkivalo sivulla 145*.

Kone pysähtyy käynnistyksen aikana

Moottorin hyvä suorituskyky edellyttää oikeaa jännitesyöttöä. Liian pitkät tai liian heikot jatkojohdot alentavat moottorin tehoa käytön aikana.

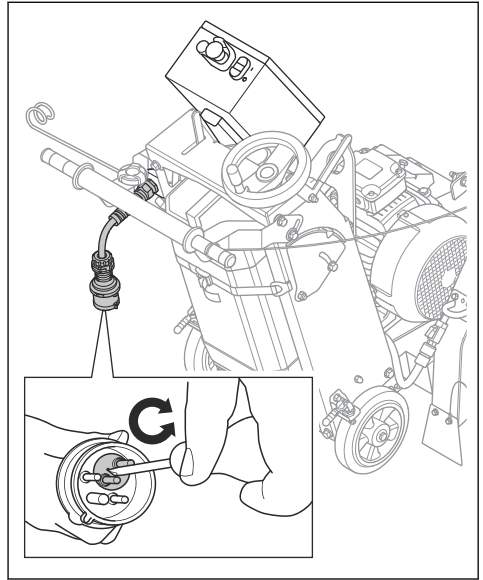
- Jos kuormitus on laitteelle liian suuri, moottorin suojaus laukeaa ja pysäyttää moottorin. Katso kohta *Virheen merkkivalo sivulla 145*.
- Varmista, että jatkojohdot eivät ole liian pitkiä tai liian heikkoja. Kokeile käynnistää laite uudelleen.
- Varmista, että katkaisulaikka pyörii vapaasti.
- Jos laite edelleen pysähtyy käynnistyksen aikana, ota yhteyttä valtuutettuun huoltoliikkeeseen.

Virheen merkkivalo



Virheen merkkivalo (A) syttyy seuraavissa tilanteissa:

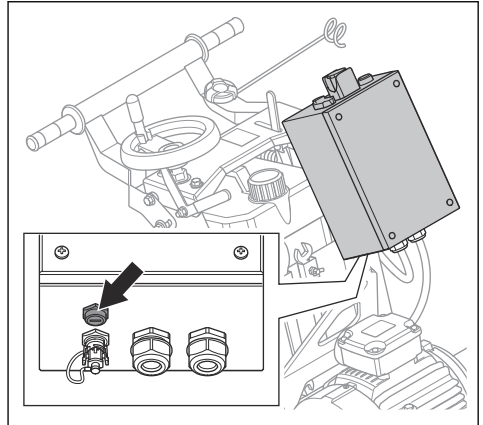
- Moottori on ylikuormitettu. Moottori pysähtyy.
- koneessa on vaihevirhe. Virtapistoketta on säädettävä.



Anna moottorin suojauksen jäähtyä ja virheen merkkivalo sammua, ennen kuin käynnistät moottorin uudelleen. Odota noin 60 sekuntia.

Työvalo ei syty

- Tarkista työvalon sulake. Jos sulake on palanut, vaihda sen tilalle asianmukainen sulake. Katso kohta *Tekniset tiedot sivulla 146*.



Kuljettaminen, säilyttäminen ja hävittäminen

Kuljettaminen

- Irrota katkaisulaikka ennen laitteen kuljetusta.
- Tämä laite on painava. Ole varovainen laitetta nostaessasi, sillä siihen liittyy tapaturmien vaara. Katso kohta *Laitteen nostaminen sivulla 146*.
- Noudata tavarakuljetusten erityismääräyksiä.

- Kiinnitä laite kuljetuksen ajaksi. Varmista, ettei se pääse liikkumaan.

Laitteen nostaminen



VAROITUS: Varmista, että nostolaite on oikein mitoitettu. Laitteen paino on ilmoitettu laitteen tyyppikilvessä.



VAROITUS: Varmista, että nostosilmukka ei ole vaurioitunut.



VAROITUS: Älä kulje äläkä oleskele nostetun laitteen alapuolella tai sen lähellä.

- Käytä laitteen nostamiseen asianmukaista nostolaitetta. Älä nosta laitetta ilman nostolaitetta.
- Käytä laitteen nostamiseen laitteessa olevaa nostosilmukkaa.
- Käytä teräksisellä varvassuojalla ja luistamattomalla pohjalla varustettuja saappaita.

Laitteen varastointi

- Säilytä laitetta lukitussa varastossa, jonne lapset ja asiattomat henkilöt eivät pääse.
- Säilytä laitetta aina sisätiloissa.
- Säilytä laitetta kuivassa paikassa, jossa lämpötila ei laske pakkasen puolelle.
- Irrota katkaisulaikka laitteesta käytön jälkeen. Katkaisulaikan on oltava kuiva, kun se laitetaan säilöön.
- Aseta laite tasaiselle alustalle.

Hävittäminen

Laitteessa tai sen pakkauksessa olevat symbolit osoittavat, ettei laitetta saa hävittää kotitalousjätteen mukana. Se on toimitettava asianmukaiseen sähkö- ja elektroniikkalaitteiden keräyspisteeseen.

Varmistamalla laitteen asianmukaisen hävittämisen autat vähentämään mahdollisia negatiivia ympäristövaikutuksia, joita tämän laitteen virheellisestä hävittämisestä koituisi. Lisätietoja tämän koneen kierrätyksestä saat ottamalla yhteyden kotikuntasi viranomaisiin, jätehuoltoon tai laitteen myyneeseen liikkeeseen.

Tekniset tiedot

Tekniset tiedot

Moottorin teho, kW	7,5
Nimellisjännite, VAC @ taajuus, Hz	3~400 @ 50 (CE) 3~415 @ 50 (AUS)
Nimellisvirta, A	15
Virtapistoke	CEE, 3~, 16 A (CE) 56P420, 20 A, 500 V (AUS)
Laikan enimmäishalkaisija, mm	600
Enimmäisleikkuusvyvyys, mm	240
Karan enimmäispyörimisnopeus (moottorin nimellisnopeudella 2 925 rpm), rpm	1 765
Karan halkaisija, mm	25,4
Laikan laipan halkaisija, mm	116
Veden enimmäispaine, bar	6
Nimellispaino (pakkaamattomana), kg	178
Enimmäiskäyttöpaino ilman vesisäiliötä, kg	183
Enimmäiskäyttöpaino täyden vesisäiliön kanssa, kg	214

Rasva	DIN 51825 -rasvaluokka K2K-30 tai K3K-30
Oikea hihnan kireys, Hz	88–93
Työvalon liitäntä, VDC	24
Työvalon sulake, A	4 (5 x 20 mm)
Laikan ruuvien kiristysmomentti, Nm	100

Äänitasot

Melu- ja värinäpäästöt	
Äänenhotaso, L_{WA} (mitattu), dB(A)	105
Äänenhotaso, L_{WA} (taattu), dB(A) ¹³	107
Äänenpainetaso käyttäjän korvan tasalla, dB(A) ¹⁴	83
Tärinätasot a_{HV} , m/s ² , oikea kahva / vasen kahva ¹⁵	2,6/3,1

Melua ja värinää koskeva vakuutus

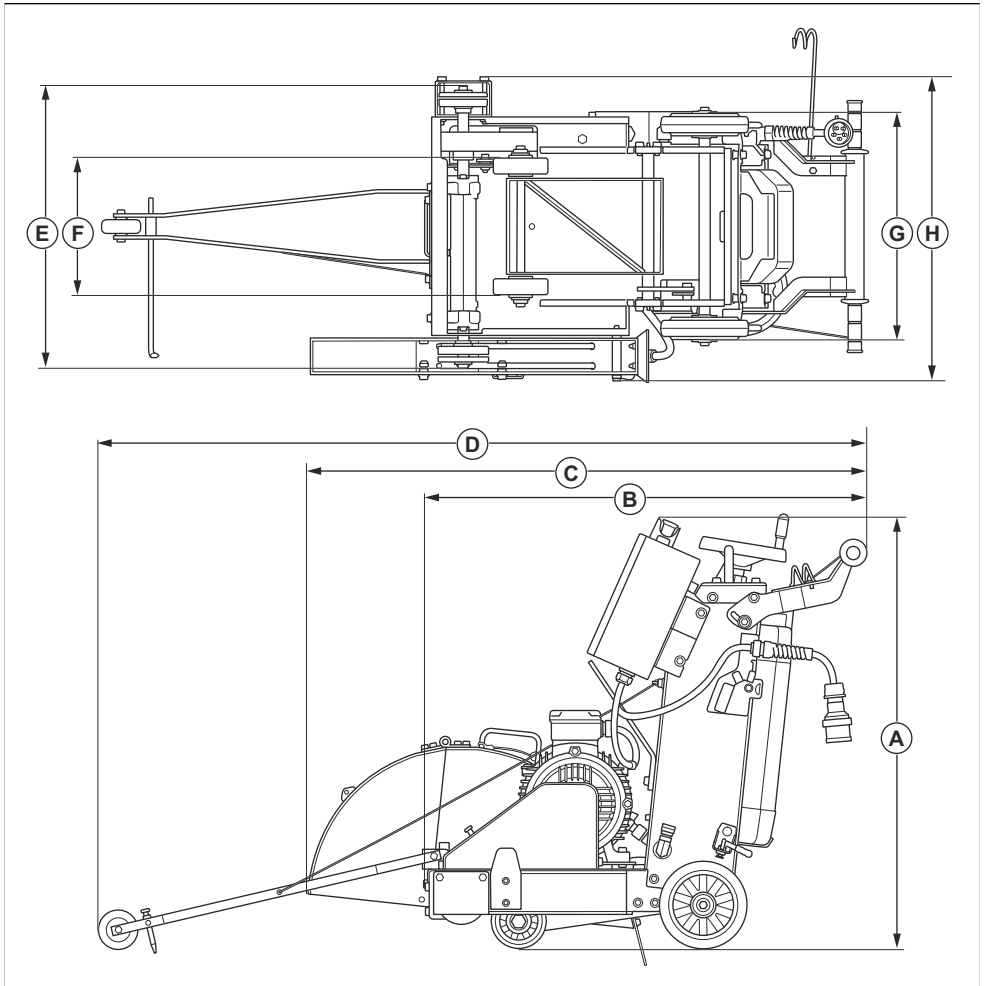
Ilmoitetut arvot on saatu ilmoitetun direktiivin tai ilmoitettujen standardien mukaan laboratoriossa suoritettussa tyyppitestauksessa. Ne ovat vertailukelpoisia muiden saman direktiivin tai samojen standardien mukaan testattujen tuotteiden ilmoitettujen arvojen kanssa. Ilmoitetut arvot eivät sovellu riskinarvioinnissa käytettäväksi. Yksittäisissä työkohteissa mitatut arvot saattavat olla korkeampia. Todelliset altistusarvot ja mahdolliset käyttäjälle aiheutuvat haitat ovat yksilökohtaisia ja niihin vaikuttavat käyttäjän työskentelytapa, laitteella työstettävä materiaali, altistusaika, käyttäjän fyysinen kunto ja laitteen kunto.

¹³ Melupäästö ympäristöön äänitehona (L_{WA}) EY-direktiivin 2000/14/EY mukaisesti mitattuna. Taatun ja mitatun äänitehön erona on se, että taattu ääniteho sisältää myös mitatun tuloksen hajonnan ja vaihtelun saman mallin eri laitteiden välillä direktiivin 2000/14/EY mukaisesti.

¹⁴ Äänenpainetaso standardin EN 13862 mukaan. Äänenpainetasoista ilmoitettujen tietojen tyyppillinen tilastollinen hajonta (keskihajonta) on 2,5 dB(A).

¹⁵ Tärinätaso standardin EN 13862 mukaan. Tärinätasolle ilmoitetuissa tiedoissa tyyppillinen tilastollinen hajonta (vakiopoikkeama) on 1 m/s².

Tuotteen mitat



A	Korkeus, mm	985	E	Vähimmäisleveys (ilman laikansuojusta), mm	645
B	Vähimmäispituus (osoitin ylhäällä, ilman laikansuojusta tai katkaisulaikkaa), mm	1 010	F	Etupyörän leveys, mm	320
C	Pituus (osoitin ylhäällä ja laikansuojus asennettu), mm	1 275	G	Takapyörän leveys, mm	520

D	Enimmäispituus (osoitin alhaalla), mm	1750	H	Enimmäisleveys (laikansuojus asennettu), mm	700
----------	---------------------------------------	------	----------	---	-----

Tarvikkeet

Hyväksytyt Husqvarna-lisävarusteet

- Valosarja.
- Vesisäiliö.

Vaatimustenmukaisuusvakuutus

EU-vaatimustenmukaisuusvakuutus

Me, Husqvarna AB, SE561 82 Huskvarna, Ruotsi, puh
+46- 36-146500, vakuuttaa täten, että tuote:

Kuvaus	Lattian leikkuukone
Tuotemerkki	HUSQVARNA
Tyyppi/malli	FS 600 E
Tunnusmerkit	Sarjanumerot vuodesta 2021 alkaen

vastaa täysin seuraavien EU:n direktiivien ja asetusten vaatimuksia:

Direktiivi/asetus	Kuvaus
2006/42/EC	konedirektiivi
2014/30/EU	EMC-direktiivi
2000/14/EC	Melupäästödirektiivi
2011/65/EU	"tiettyjen vaarallisten aineiden käytön rajoittaminen"

ja että asiassa sovelletaan seuraavia standardeja ja/tai teknisiä tietoja:

EN ISO 12100:2010

EN 13862:2001+A1:2009

EN 55014-1:2021

EN 61000-6-2:2019

EN 61000-3-2:2019+A1:2021

EN 61000-3-3:2013+A1:2019

EN IEC 63000:2018

Vaatimustenmukaisuuden arviointimenettely:

2000/14/EC: liite V.

Katso lisätietoja melupäästöistä osiosta *Tekniset tiedot sivulla 146*.

Partille, 2021-12-08

Erik Silfverberg

R&D Director, Concrete Sawing & Drilling Equipment

Husqvarna AB, Construction Division

Teknisestä dokumentaatiosta vastaava edustaja



Sommaire

Introduction.....	151	Transport, entreposage et mise au rebut.....	177
Sécurité.....	155	Caractéristiques techniques.....	177
Utilisation.....	160	Accessoires.....	180
Entretien.....	172	Déclaration de conformité.....	181
Dépannage.....	175		

Introduction

Description du produit

Le produit est une scie de sol électrique poussée.

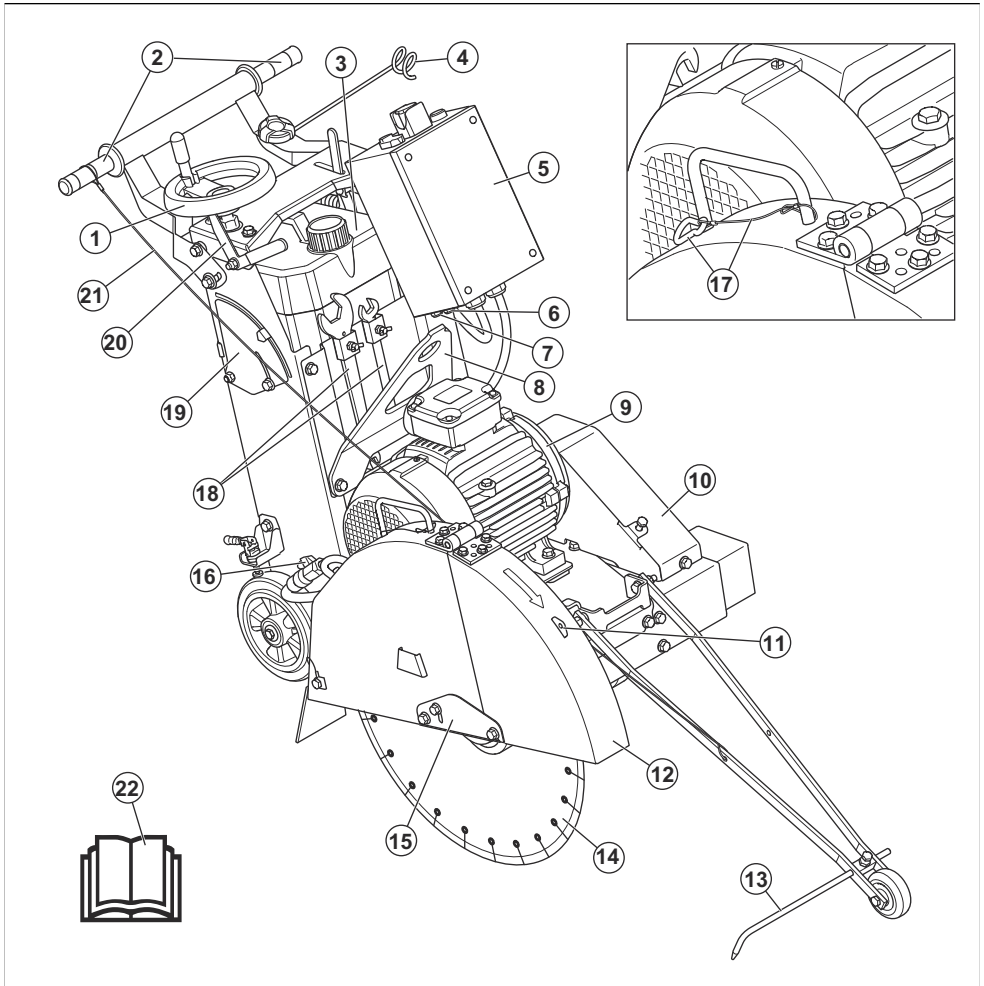
Utilisation prévue

Ce produit est utilisé avec des disques diamantés pour la découpe à l'eau de sols en matériaux durs tels que le béton, l'asphalte et la pierre. Il n'est destiné à aucune autre utilisation.

Le produit est utilisé dans des applications industrielles par des opérateurs expérimentés.

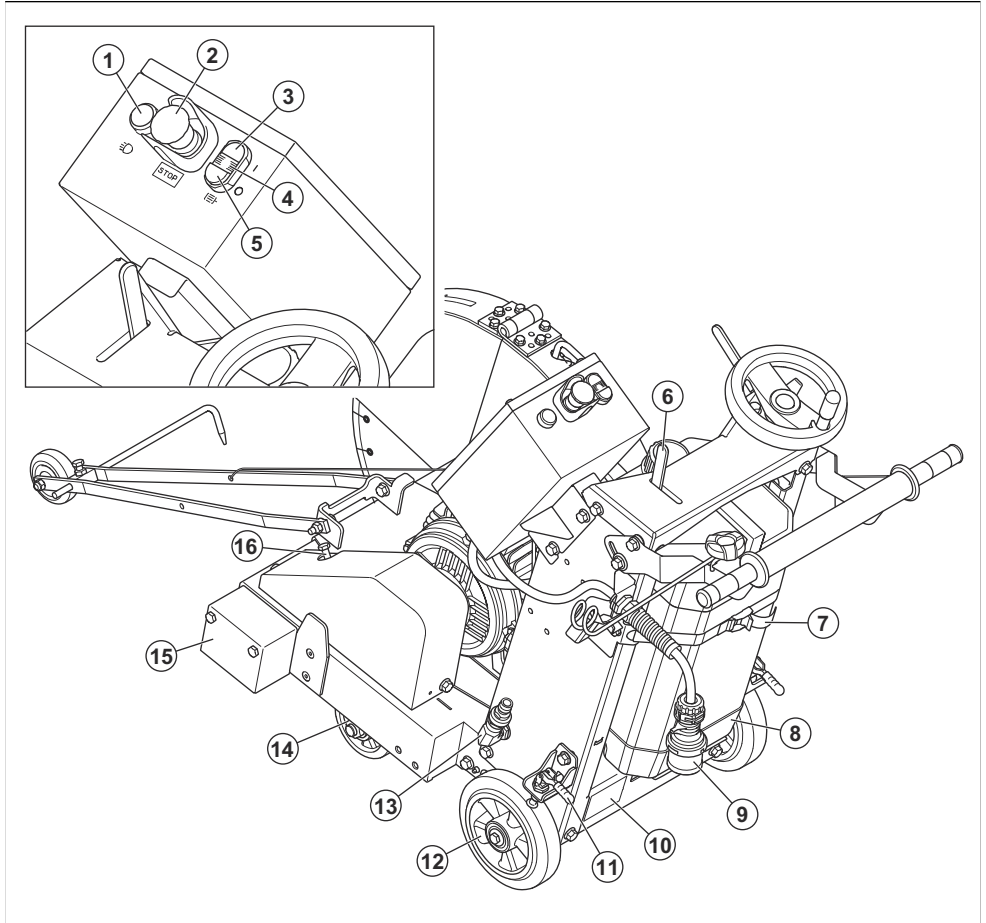
N'utilisez pas ce produit à l'extérieur ou dans un environnement humide. Ce produit est destiné à un usage en intérieur uniquement.

Présentation du produit, côté droit



- | | |
|---|--|
| 1. Roue de profondeur de coupe | 12. Carter de disque |
| 2. Poignée | 13. Pointeur |
| 3. Réservoir d'eau et couvercle (en option) | 14. Disque (non inclus) |
| 4. Guide de câble et de tuyau | 15. Loquet du carter de disque |
| 5. Boîtier électrique | 16. Robinet d'eau |
| 6. Fusible de feu de travail | 17. Câble et mousqueton |
| 7. Sortie de feu de travail | 18. Outils d'entretien |
| 8. Anneau de levage | 19. Indicateur de profondeur de coupe |
| 9. Moteur | 20. Levier pour verrouiller la profondeur de coupe |
| 10. Carter de courroie d'entraînement | 21. Corde du pointeur |
| 11. Support de mousqueton | 22. Manuel de l'opérateur |

Présentation du produit, côté gauche



1. Interrupteur des feux de travail (kit d'éclairage en option)
2. Bouton d'arrêt de la machine
3. Bouton ON
4. Témoin d'erreur
5. Bouton OFF
6. Robinet d'eau
7. Sangle du réservoir d'eau
8. Réservoir d'eau (en option)
9. Prise de courant
10. Plaque d'identification
11. Frein de stationnement
12. Roue arrière
13. Entrée d'eau et filtre à eau
14. Roue avant

15. Couvercle de bride
16. Vis de tension, courroie d'entraînement

Symboles concernant le produit



AVERTISSEMENT : ce produit peut être dangereux et causer des blessures graves, voire mortelles, à l'opérateur ou à d'autres personnes. Soyez prudent et utilisez le produit correctement.



Lisez le manuel d'utilisation et assurez-vous de bien comprendre les instructions avant d'utiliser ce produit.



Risque de blessures par coupure. Maintenez toutes les parties du corps à l'écart du disque de découpe.



Gardez les parties du corps à l'écart de la lame de coupe et des autres pièces mobiles.



Assurez-vous que la lame de coupe n'est pas émoussée ou qu'elle ne présente pas de dommages, comme des fissures.



Les protège-lames doivent toujours être installés sur le produit. Ne laissez pas plus de 180° de la lame de coupe apparente.



Assurez-vous que le disque de découpe est utilisable à la même vitesse ou à une vitesse supérieure à la valeur indiquée sur le produit. Une lame de coupe utilisée à une vitesse trop élevée peut se briser et provoquer des blessures ou des dommages.



AVERTISSEMENT : La poussière peut entraîner des problèmes de santé. Portez une protection respiratoire homologuée. Assurez-vous systématiquement de la bonne circulation de l'air.



AVERTISSEMENT : ne regardez pas directement le faisceau lumineux. Cet avertissement s'applique uniquement lorsque le kit d'éclairage est installé.



Utilisez des protège-oreilles, des protections pour les yeux et une protection respiratoire. Reportez-vous à la section *Équipement de protection individuel* à la page 158.



Risque de choc électrique : Les contrôles et/ou l'entretien doivent être effectués avec le moteur à l'arrêt et la prise débranchée.



Tout déplacement de la machine en dehors de la zone de coupe doit être effectué lorsque l'outil ne tourne pas.



Retirez le disque avant de transporter le produit, lorsque vous le soulevez, le posez ou le retirez.



La flèche sur le protège-disque indique la direction dans laquelle le disque de découpe tourne.



Engagez/désengagez les freins de stationnement.



Remplissez le réservoir avec de l'eau uniquement.



Vanne du circuit de refroidissement par eau du disque de découpe.



Commande de relevage/abaissement pour le réglage de la profondeur de coupe.



Soulevez toujours le produit au niveau du point de levage.



Mise à la terre de protection.



Bouton ON.



Bouton OFF.



Bouton STOP de la machine.



Interrupteur de feu de travail.



Bouton ON/OFF du moteur, indicateur d'erreur.



Étiquette d'émissions sonores dans l'environnement, conformément aux directives et réglementations de l'UE et du Royaume-Uni. Le niveau de puissance sonore garanti du produit est spécifié aux sections *Niveaux sonores à la page 178*,

Déclaration de conformité à la page 181 et sur l'étiquette.



Risque de choc électrique. Cet équipement ne doit être entretenu que par du personnel agréé.



Ce produit est conforme aux directives CE en vigueur.



Ce produit est conforme aux directives en vigueur au Royaume-Uni.



Le produit ou son emballage ne font pas partie des ordures ménagères. Déposez-le dans une déchetterie agréée pour équipements électriques et électroniques.

Plaque d'identification

1		2	
4	Husqvarna AB, S-561 82, Husqvarna, Sweden	3	
ARTICLE NO.		5	Made in China
SERIAL NO. (HID)		6	
7	9	12	
8	10	13	
	11	14	
15			

1. Fabricant
2. Adresse du fabricant
3. QR code à scanner
4. Type
5. Référence article
6. Numéro de série
7. Poids du produit, kg
8. Date de fabrication, année/mois
9. Tension : Courant alternatif triphasé, V
10. Fréquence, Hz
11. Intensité nominale, A
12. Sortie du moteur, kW
13. Diamètre de disque maximal, mm
14. Vitesse de rotation maximale, n/min
15. Informations supplémentaires

Responsabilité

Conformément à la loi sur la responsabilité du fait des produits, nous déclinons toute responsabilité pour tout dommage causé par notre produit si :

- le produit n'est pas correctement réparé ;
- le produit est réparé avec des pièces qui ne proviennent pas du fabricant ou qui ne sont pas homologuées par le fabricant ;
- le produit est équipé d'un accessoire qui ne provient pas du fabricant ou qui n'est pas homologué par le fabricant ;
- le produit n'est pas réparé par un centre d'entretien agréé ou par une autorité homologuée.

Sécurité

Définitions de sécurité

Des avertissements, des recommandations et des remarques sont utilisés pour souligner des parties spécialement importantes du manuel.



AVERTISSEMENT: Symbole utilisé en cas de risque de blessures ou de mort pour l'opérateur ou les personnes à proximité si les instructions du manuel ne sont pas respectées.



REMARQUE: Symbole utilisé en cas de risque de dommages pour le produit, d'autres matériaux ou les environs si les instructions du manuel ne sont pas respectées.

Remarque: Symbole utilisé pour donner des informations supplémentaires pour une situation donnée.

Consignes générales de sécurité relatives à l'outil à moteur



AVERTISSEMENT: Lisez l'ensemble des avertissements de sécurité, des consignes, des illustrations et des spécifications fournies avec cet outil électrique. Le non-respect des consignes énumérées ci-dessous peut être à l'origine d'un choc électrique, d'un incendie et/ou de blessures graves.

Conservez toutes ces consignes et instructions pour toute consultation ultérieure. Le terme « outil électrique » utilisé dans les avertissements fait référence à l'outil branché sur secteur (fil) ou à l'outil alimenté par batterie (sans fil).

Sécurité dans l'espace de travail

- **Maintenez un espace de travail propre et bien éclairé.** Les espaces encombrés ou sombres exposent à des accidents.
- **N'utilisez pas de machines à usiner dans des atmosphères explosives, en présence de liquides, de gaz ou de poussières inflammables par exemple.** Les machines à usiner provoquent des étincelles qui peuvent enflammer la poussière ou les vapeurs.
- **Tenez les enfants et les spectateurs à distance lorsque la machine à usiner est en marche.** Un moment d'inattention peut vous faire perdre le contrôle.

Sécurité électrique

- **Les fiches des machines à usiner doivent être adaptées à la prise. N'apportez jamais de modifications à la fiche. N'utilisez pas d'adaptateurs de fiche.** Des fiches non modifiées et des prises compatibles réduiront le risque d'électrocution.
- **Évitez tout contact physique avec les surfaces mises à la terre telles que les tuyaux, les radiateurs, les cuisinières et les réfrigérateurs.** Le risque d'électrocution est plus important si le corps est relié à la terre.
- **N'exposez pas les outils électriques à la pluie ou à l'humidité.** L'infiltration d'eau dans un outil électrique augmente le risque d'électrocution.
- **Ne malmenez pas le cordon. N'utilisez jamais le cordon pour porter, tirer ou débrancher la machine. Maintenez le cordon d'alimentation à l'écart de la chaleur, de bords tranchants ou de pièces en mouvement.** Les cordons endommagés ou emmêlés augmentent le risque d'électrocution.
- **Lorsque vous utilisez un outil électrique à l'extérieur, installez une rallonge adaptée.** L'utilisation d'un cordon d'alimentation prévu pour un usage en extérieur réduit le risque d'électrocution.
- **Lorsque vous utilisez un outil électrique, utilisez toujours une alimentation protégée par un disjoncteur différentiel de fuite à la terre (RCD).** L'utilisation d'un RCD réduit le risque de choc électrique.
- **Assurez-vous que la tension de la prise de courant est identique à la tension indiquée sur la plaque signalétique du produit.** Reportez-vous à la section *Plaque d'identification à la page 155.*

Sécurité du personnel

- **Restez attentif, regardez ce que vous faites et ayez recours à votre bon sens lorsque vous utilisez un outil électrique. N'utilisez pas d'outil électrique si vous êtes fatigué ou si vous êtes sous l'emprise de**

drogues, d'alcool ou de médicaments. Un moment d'inattention pendant l'utilisation des machines à usiner peut entraîner des blessures corporelles graves.

- **Utilisez un équipement de protection personnelle. Travaillez toujours avec des lunettes de protection.** Les équipements de protection tels que le masque anti-poussière, les chaussures de sécurité antidérapantes, le casque ou le protège-oreilles utilisés dans des conditions appropriées réduisent les blessures corporelles.
- **Évitez tout démarrage intempestif. Vérifiez que l'interrupteur est en position d'arrêt avant de brancher l'outil sur l'alimentation et/ou la batterie, de le ramasser ou de le transporter.** Le fait de garder le doigt sur l'interrupteur pendant le transport des outils ou le branchement des machines alors que l'interrupteur est en position ON expose à des accidents.
- **Retirez toute clé ou clavette de calage avant de mettre la machine à usiner sous tension.** Une clé ou une clavette reliée à une pièce mobile de la machine à usiner peut entraîner des blessures corporelles.
- **Ne vous éloignez pas trop. Restez toujours en équilibre et sur vos appuis.** Cela favorise le contrôle de la machine à usiner dans les situations inattendues.
- **Habilitez-vous correctement. Ne portez jamais de vêtements amples ou de bijoux. Éloignez vos cheveux et vos vêtements des pièces mobiles.** Les vêtements amples, les bijoux et les cheveux longs peuvent rester coincés dans les pièces mobiles.
- **Si des dispositifs sont fournis pour raccorder des systèmes de collecte et d'extraction de la poussière, vérifiez qu'ils sont correctement branchés et utilisés.** L'utilisation de systèmes de collecte de poussière peut réduire les risques associés à la poussière.
- **La connaissance des outils, acquise par l'usage fréquent de ces derniers, ne doit pas vous dispenser d'être prudent et d'appliquer les principes de sécurité.** Une action inconsidérée peut provoquer de graves blessures en une fraction de seconde.

Utilisation et entretien de la machine à usiner

- **Ne forcez pas sur la machine à usiner. Utilisez la machine à usiner qui convient à l'application.** La machine qui convient réalisera mieux son travail et de façon plus sûre, à la vitesse pour laquelle elle a été conçue.
- **N'utilisez pas la machine à usiner si l'interrupteur ne permet pas la mise sous tension ou l'arrêt.** Toute machine à usiner impossible à commander avec l'interrupteur est dangereuse et doit être réparée.
- **Débranchez la fiche de l'alimentation et/ou retirez la batterie, si celle-ci est amovible, avant de procéder aux réglages, de changer les accessoires ou de stocker un outil électrique.** Ces mesures de sécurité

préventive réduisent le risque de mise sous tension accidentelle de la machine à usiner.

- **Rangez les machines à usiner hors de la portée des enfants et ne pas laisser des personnes qui ne connaissent pas la machine ou ces consignes utiliser l'appareil.** Les machines à usiner sont dangereuses si elles sont entre les mains d'utilisateurs non formés.
- **Entretenez les accessoires et outils électriques. Vérifier le mauvais alignement ou la fixation des pièces mobiles, l'éventuelle rupture des pièces ou toute autre condition susceptible d'altérer le fonctionnement de la machine. Si elle est endommagée, la machine à usiner doit être réparée avant toute réutilisation.** De nombreux accidents sont dus à des machines mal entretenues.
- **Maintenez les outils tranchants aiguisés et propres.** Des outils tranchants correctement entretenus avec des bords aiguisés sont moins susceptibles de se coincer et sont plus faciles à contrôler.
- **Utiliser la machine à usiner, les accessoires, les grains, etc. en suivant ces consignes et en tenant compte des conditions de travail et de la tâche à réaliser.** Il est dangereux d'utiliser l'outil électrique pour tout autre usage que celui prévu.
- **Les poignées et les surfaces de maintien doivent toujours être propres, sèches et sans traces d'huile ni de graisse.** Les poignées et les surfaces de maintien glissantes ne permettent pas une manipulation et un contrôle sûrs de l'outil dans des situations inattendues.

Entretien

- **Confiez l'entretien de votre outil électrique à un mécanicien qualifié qui utilisera uniquement des pièces de rechange identiques.** Cela permet de garantir la sécurité de la machine.

Instructions générales de sécurité



AVERTISSEMENT: Lisez les instructions qui suivent avant d'utiliser le produit.

- Ce produit est un outil dangereux si vous ne faites pas attention ou si vous l'utilisez de manière incorrecte. Ce produit peut causer des blessures graves, voire mortelles, à l'opérateur ou à d'autres personnes. Avant d'utiliser le produit, il convient de lire attentivement et de bien comprendre les instructions contenues dans ce manuel de l'opérateur.
- Conservez tous les avertissements de sécurité et toutes les instructions.
- Respectez l'ensemble des lois et réglementations applicables.
- L'opérateur et son employeur doivent connaître et éviter tout risque au cours de l'utilisation du produit.

- Ne laissez personne utiliser le produit avant d'avoir lu et compris le contenu du manuel de l'opérateur.
- N'utilisez pas le produit sauf si vous bénéficiez d'une formation préalable. Assurez-vous que tous les opérateurs suivent une formation.
- Ne laissez pas un enfant utiliser le produit.
- Seules les personnes autorisées peuvent utiliser le produit.
- L'utilisateur est tenu responsable des accidents auxquels il expose autrui ou ses biens.
- N'utilisez jamais l'appareil si vous êtes fatigué ou malade, ou si vous êtes sous l'emprise d'alcool, de drogues ou de médicaments.
- Soyez toujours prudent et utilisez votre bon sens.
- Ce produit génère un champ électromagnétique durant son fonctionnement. Ce champ peut dans certaines circonstances perturber le fonctionnement d'implants médicaux actifs ou passifs. Pour réduire le risque de blessures graves ou mortelles, nous recommandons aux personnes portant des implants médicaux de consulter leur médecin et le fabricant de leur implant avant d'utiliser cet appareil.
- Maintenez le produit propre. Assurez-vous que vous pouvez lire clairement les avertissements et les autocollants.
- N'utilisez pas le produit si celui-ci est défectueux.
- Ne modifiez pas ce produit.
- N'utilisez pas le produit s'il est susceptible d'avoir été modifié par d'autres personnes.

Instructions de sécurité pour le fonctionnement



AVERTISSEMENT: Lisez les instructions qui suivent avant d'utiliser le produit.

- Lisez les instructions de sécurité fournies avec le disque de découpe par le fabricant.
- Branchez uniquement le produit à une alimentation électrique protégée par un fusible ou un disjoncteur approprié, maximum 30 A.
- Assurez-vous que le produit est monté correctement.
- N'utilisez pas la machine sans avoir monté et fixé correctement le carter de disque et les carters de protection.
- N'utilisez pas le produit lorsque la partie avant du carter de disque est levée. La partie avant du carter de disque doit être abaissée, correctement verrouillée et fixée.
- L'utilisation incorrecte du produit peut entraîner la rupture du disque de découpe et causer des blessures ou des dégâts.
- Assurez-vous de savoir comment couper le moteur rapidement en cas d'urgence.
- Utilisez un équipement de protection individuel. Reportez-vous à la section *Équipement de protection individuel* à la page 158.

- Assurez-vous que seules les personnes autorisées se trouvent dans la zone de travail.
- Assurez-vous que les câbles électriques dans la zone de travail sont hors tension.
- Avant d'utiliser le produit, assurez-vous qu'aucun fil électrique, câble ou tuyau ne sont dissimulés dans la zone de travail. Si le produit heurte un objet caché, arrêtez immédiatement le moteur et examinez le produit et l'objet. Ne redémarrez pas le produit avant d'être sûr qu'il fonctionne en toute sécurité.
- Veillez à vous tenir dans une position stable et sûre pendant l'utilisation du produit.
- Le produit peut projeter des objets à grande vitesse. Assurez-vous que toutes les personnes se trouvant dans la zone de travail portent un équipement de protection individuel homologué. Veillez à ce qu'il ne reste pas d'objets meubles dans la zone de travail.
- Avant de vous éloigner du produit, arrêtez le moteur et assurez-vous qu'il n'y a aucun risque de démarrage accidentel.
- Ne vous éloignez pas du produit sans avoir engagé les freins de stationnement.
- Soyez très prudent lorsque vous utilisez le produit sur un terrain en pente. Le produit est lourd et peut provoquer des blessures graves en cas de chute ou de déplacement soudain.
- Assurez-vous qu'aucun matériau ne risque de se desserrer et de blesser l'opérateur.
- Assurez-vous que des vêtements, cheveux longs et bijoux ne peuvent pas se coincer dans les pièces en mouvement.
- N'utilisez pas le produit si vous ne pouvez pas être secouru en cas d'accident.
- Éloignez le réservoir d'eau du produit lorsque vous remplissez le réservoir d'eau.

Le produit est équipé d'un cordon d'alimentation de mise à la terre et d'une prise de courant. Branchez systématiquement le produit sur une prise secteur mise à la terre. Cela permet de réduire le risque de choc électrique en cas de dysfonctionnement.

N'utilisez pas d'adaptateurs électriques avec le produit.

Équipement de protection individuel



AVERTISSEMENT: Lisez les instructions qui suivent avant d'utiliser le produit.

- Portez toujours un équipement de protection individuel homologué lorsque vous utilisez le produit. L'équipement de protection individuel ne protège pas complètement des blessures, mais il diminue la gravité des blessures en cas d'accident. Faites appel à votre revendeur pour vous aider à sélectionner l'équipement de protection individuel adéquat.
- Vérifiez régulièrement l'état de votre équipement de protection individuel.
- Utilisez un casque de protection homologué.
- Utilisez des protège-oreilles agréés.
- Portez une protection respiratoire homologuée.
- Utilisez des protections pour les yeux homologuées avec protections latérales. Il existe un risque élevé de blessures aux yeux dues à des projections d'objets.
- Utilisez des gants de protection.
- Utilisez des bottes avec embouts en acier et semelle antidérapante.
- Utilisez des vêtements de travail homologués ou des vêtements près du corps équivalents dotés de manches longues et d'un pantalon.

Instructions pour produit mis à la terre



AVERTISSEMENT: un mauvais branchement peut provoquer un choc électrique. Consultez un électricien agréé si vous n'êtes pas certain que votre prise secteur soit correctement mise à la terre.

Ne modifiez pas la prise de courant par rapport à ses spécifications d'usine. Si la fiche ou le cordon d'alimentation est endommagé ou doit être remplacé, contactez votre atelier de réparation Husqvarna. Respectez la législation et les réglementations locales.

Si vous n'avez pas bien compris les instructions de mise à la terre du produit, consultez un électricien homologué.

Extincteur

- Gardez un extincteur à proximité lors de l'utilisation du produit.
- Utilisez un extincteur à poudre ou un extincteur à gaz carbonique.

Dispositifs de sécurité sur le produit



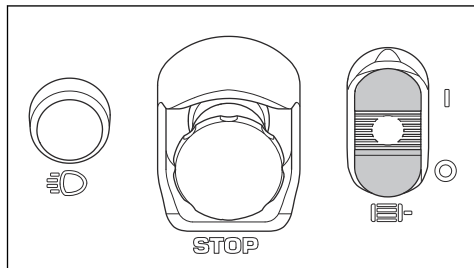
AVERTISSEMENT: Lisez les instructions qui suivent avant d'utiliser le produit.

- N'utilisez pas un produit avec des dispositifs de sécurité défectueux.
- Contrôlez les dispositifs de sécurité régulièrement. Si les dispositifs de sécurité sont défectueux, parlez-en à votre agent d'entretien Husqvarna.

Utilisez uniquement des rallonges extérieures mises à la terre avec des fiches de mise à la terre et une prise de mise à la terre adaptée à la fiche d'alimentation du produit.

Bouton ON et bouton OFF

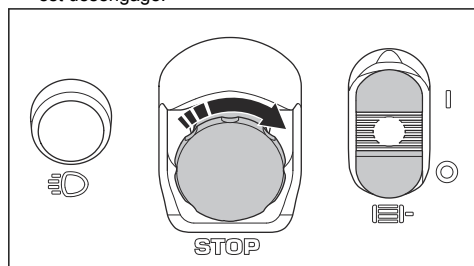
Le bouton ON (I) et le bouton OFF (O) permettent de démarrer et d'arrêter le moteur.



Pour vérifier le bouton ON et un bouton OFF

Remarque: Si le produit ne démarre pas, reportez-vous à *Le produit ne démarre pas à la page 175*.

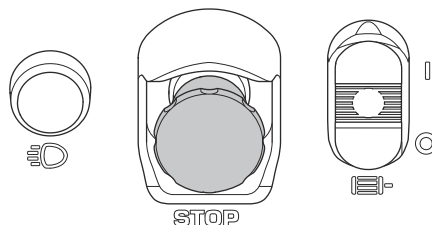
1. Débranchez le produit de la prise secteur.
2. Assurez-vous que le disque de découpe effleure légèrement le sol.
3. Assurez-vous que le disque de découpe et la bride du disque sont bien fixés et que le carter de disque est correctement installé. Reportez-vous à *Installation d'un disque de découpe à la page 162* et *Pour installer le carter de disque à la page 165*.
4. Branchez le produit à la prise secteur à l'aide d'une rallonge.
5. Tournez le bouton STOP de la machine dans le sens des aiguilles d'une montre pour vous assurer qu'il est désengagé.



6. Placez le bouton ON/OFF en position « I » pour démarrer le produit.
7. Patientez 5 secondes pour laisser le produit atteindre la vitesse appropriée.
8. Placez le bouton ON/OFF en position « O » et assurez-vous que le moteur s'arrête.

Bouton d'arrêt de la machine

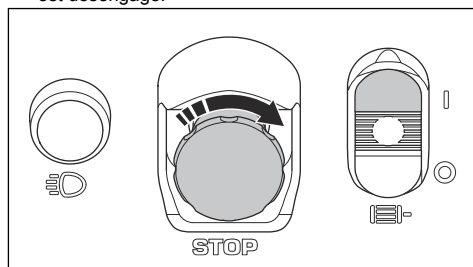
Le bouton d'arrêt (STOP) de la machine permet d'arrêter le moteur. Le bouton STOP de la machine n'éteint pas les feux.



Remarque: Utilisez le bouton d'arrêt de la machine pour arrêter le produit uniquement en cas d'urgence. Pour connaître la procédure correcte d'arrêt du produit pendant le fonctionnement, reportez-vous à *Arrêt du produit à la page 169*.

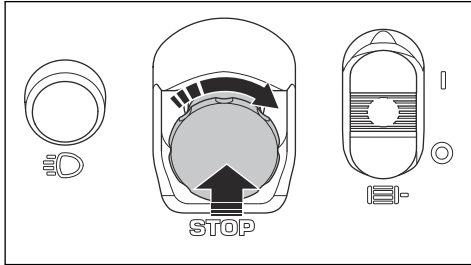
Pour contrôler le bouton d'arrêt de la machine

1. Débranchez le produit de la prise secteur.
2. Assurez-vous que le disque de découpe effleure légèrement le sol.
3. Assurez-vous que le disque de découpe et la bride du disque sont bien fixés et que le carter de disque est correctement installé. Reportez-vous à *Installation d'un disque de découpe à la page 162* et *Pour installer le carter de disque à la page 165*.
4. Branchez la prise de courant sur la prise secteur.
5. Tournez le bouton STOP de la machine dans le sens des aiguilles d'une montre pour vous assurer qu'il est désengagé.



6. Placez le bouton ON/OFF en position « I » pour démarrer le produit.

7. Appuyez sur le bouton STOP de la machine et assurez-vous que le moteur s'arrête.



8. Tournez le bouton STOP de la machine dans le sens des aiguilles d'une montre pour le désengager.

Carter de disque



AVERTISSEMENT: n'utilisez pas le produit sans carter de disque ou avec un carter de disque défectueux. Assurez-vous que le carter de disque est correctement posé et fixé avant de démarrer le produit.

Le carter de disque permet d'éviter la projection d'éclats du disque ou du matériau découpé en direction de l'opérateur.

Pour contrôler le carter de disque

- Assurez-vous que le carter de disque est posé et fixé correctement. Reportez-vous à la section *Pour installer le carter de disque à la page 165*.
- Examinez le carter de disque afin de repérer d'éventuels dommages tels que des fissures.
- Remplacez le carter de disque s'il est endommagé.
- Remplacez le carter de disque s'il a été heurté ou courbé ou s'il présente d'autres défauts.

Carter de courroie d'entraînement



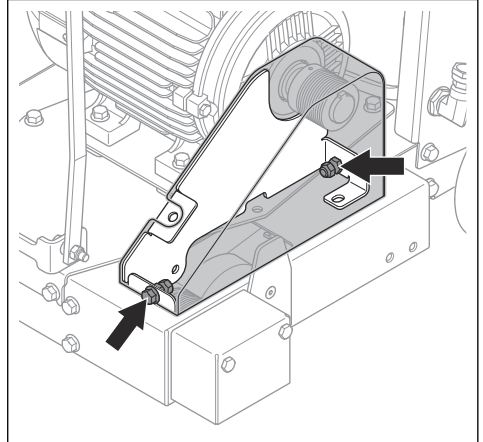
AVERTISSEMENT: n'utilisez pas le produit sans carter de courroie d'entraînement ou avec un carter de courroie d'entraînement défectueux. Assurez-vous que le carter de courroie

d'entraînement est correctement posé et fixé avant de démarrer le produit.

Le carter de courroie d'entraînement offre une protection contre les poulies et la courroie d'entraînement.

Pour contrôler le carter de courroie d'entraînement

- Assurez-vous que le carter de courroie d'entraînement n'est pas endommagé ou fissuré. Remplacez le carter de courroie d'entraînement si nécessaire.
- Assurez-vous que les 2 vis du carter de courroie d'entraînement sont correctement posées et serrées.



Instructions de sécurité pour l'entretien

- Assurez-vous que toutes les pièces sont en bon état et que toutes les fixations sont correctement serrées.
- N'utilisez pas un produit défectueux. Effectuez les contrôles de sécurité, d'entretien et de maintenance indiqués dans ce manuel. Toutes les autres tâches d'entretien doivent être effectuées par un agent d'entretien homologué.
- Arrêtez le moteur et débranchez la fiche d'alimentation lorsque vous remplacez les outils diamantés.
- Effectuez l'inspection et/ou l'entretien avec le moteur arrêté et la prise de courant débranchée.
- Effectuez l'entretien pour vous assurer que le produit fonctionne correctement. Reportez-vous à la section *Calendrier d'entretien à la page 173*.

Utilisation

Introduction



AVERTISSEMENT: Assurez-vous de lire et de comprendre le chapitre dédié à la sécurité avant d'utiliser l'appareil.

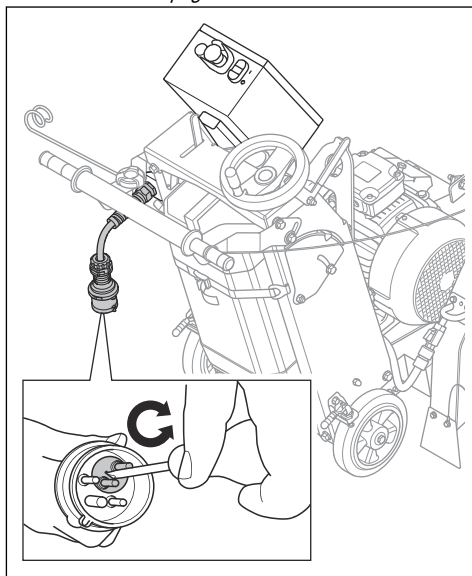
À faire avant de démarrer le produit



REMARQUE: N'utilisez pas de rallonge de plus de 25 m de long et de moins de 2,5 mm².

- Lisez attentivement le manuel d'utilisation et assurez-vous de bien comprendre les instructions.
- Lisez les instructions fournies avec le disque de découpe par le fabricant.
- Avant toute utilisation du produit, procédez comme suit :
 - a) Effectuez l'entretien quotidien. Reportez-vous à la section *Calendrier d'entretien à la page 173*.
 - b) Tracez des lignes pour toutes les découpes. Préparez soigneusement la séquence d'utilisation pour éviter toute blessure ou dommage.
 - c) Assurez-vous que le disque de découpe et le protège-disque sont correctement installés. Reportez-vous à *Installation d'un disque de découpe à la page 162* et *Pour installer le carter de disque à la page 165*.
 - d) Placez la poignée dans une position d'utilisation confortable. Reportez-vous à la section *Pour régler la hauteur de la poignée à la page 162*.
 - e) Remplissez le réservoir d'eau ou raccordez la machine à une alimentation en eau externe. Reportez-vous à *Pour remplir le réservoir d'eau à la page 167* et *Pour raccorder une alimentation en eau externe à la page 168*.
 - f) Assurez-vous que le tuyau d'eau du protège-disque est ouvert. Chaque côté du disque de découpe doit recevoir une alimentation en eau suffisante.
 - g) Assurez-vous que le pointeur est aligné avec le disque de découpe. Reportez-vous à la section *Pour aligner le pointeur avec le disque de découpe à la page 167*.
 - h) Branchez la fiche d'alimentation du produit sur une rallonge, puis sur la prise secteur.

- i) Dans certaines conditions, vous devez inverser les phases. Reportez-vous à la section *Témoin d'erreur à la page 176*.



- j) Tournez le bouton d'arrêt de la machine dans le sens des aiguilles d'une montre pour vous assurer qu'il est désengagé.

Disques de découpe



AVERTISSEMENT: N'utilisez pas un disque de découpe sur d'autres matériaux que ceux pour lesquels il a été conçu.



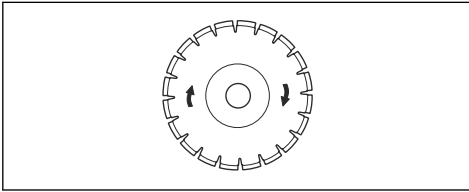
AVERTISSEMENT: Utilisez uniquement des disques diamantés pour la découpe à l'eau. Le disque diamanté doit être utilisable à la même vitesse ou à une vitesse supérieure à la valeur indiquée sur la plaque signalétique du produit. Utilisez uniquement des disques diamantés conformes aux normes nationales ou régionales, par exemple EN 13236 ou ANSI B7.1.

Le fabricant du disque de découpe donne des avertissements et des recommandations pour l'utilisation et l'entretien adéquats du disque de découpe. Ces avertissements sont fournis avec le disque de découpe.

Disques diamantés



AVERTISSEMENT: Assurez-vous que le sens de rotation du disque diamanté illustré sur ce dernier est conforme au sens de rotation indiqué sur le produit.



REMARQUE: Utilisez toujours un disque diamanté acéré.

Il existe une large gamme de disques diamantés, utilisés pour diverses applications. Du béton récent au béton et à l'asphalte durcis et pour différentes classes de dureté.

Les disques diamantés se composent d'une tôle et de segments fabriqués à partir de diamants industriels.

Système de refroidissement à l'eau

Utilisez toujours de l'eau pendant l'utilisation du produit afin de maintenir la température des disques diamantés à un niveau bas. Le système de refroidissement à l'eau augmente également la durée de vie des disques diamantés et empêche l'accumulation de poussière.

Assurez-vous que l'alimentation en eau n'est pas bouchée.

Disques diamant pour découpe à l'eau



AVERTISSEMENT: Utilisez toujours des brides de disque de dimensions spécifiées pour les dimensions du disque actuel. N'utilisez pas des brides de disque endommagées.

Pendant l'utilisation, la température du disque diamanté devient très élevée en raison des frottements. Si la température du disque diamanté devient trop élevée, la tension du disque risque de diminuer ou la tôle de se fissurer.

Laissez le disque diamanté refroidir avant de le manipuler.

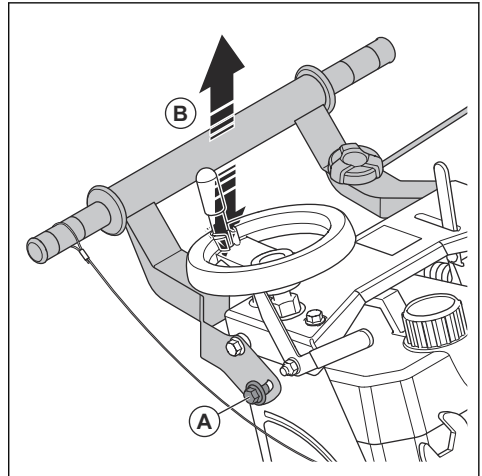
- Les disques diamantés pour la découpe à l'eau doivent être utilisés avec de l'eau pour refroidir la tôle et les segments du disque diamanté lors de la découpe. Les disques diamantés pour la découpe à l'eau ne peuvent pas être utilisés à sec.
- Si vous utilisez des disques diamantés pour la découpe à l'eau sans eau, le disque diamanté risque de surchauffer. Cela entraîne des mauvaises

performances, endommage le disque et constitue un risque pour la sécurité.

Pour régler la hauteur de la poignée

La poignée peut être réglée à la hauteur correcte.

1. Dévissez les vis (A) de chaque côté du produit.



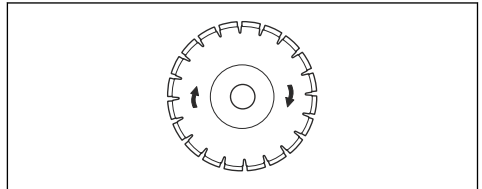
2. Réglez la position sur la hauteur de travail nécessaire (B).
3. Serrez les vis (A).

Installation d'un disque de découpe

Le disque de découpe peut être installé du côté droit et du côté gauche du produit.



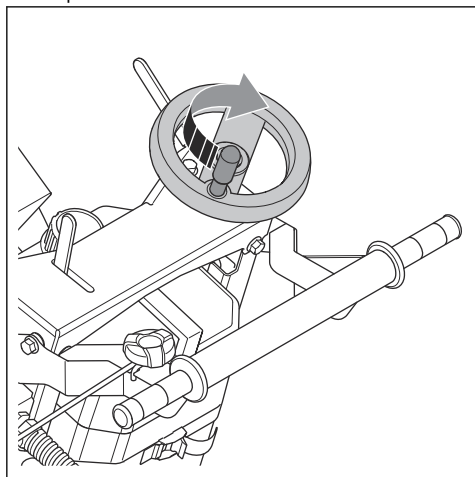
REMARQUE: Il existe un risque d'endommagement du disque de découpe si celui-ci est installé dans le sens inverse de la rotation. Assurez-vous que le disque de découpe tourne dans le sens indiqué par les flèches sur le disque de découpe.



Remarque: Le levier de la roue de profondeur de coupe doit toujours être verrouillé lorsque la roue de profondeur de coupe n'est pas utilisée.

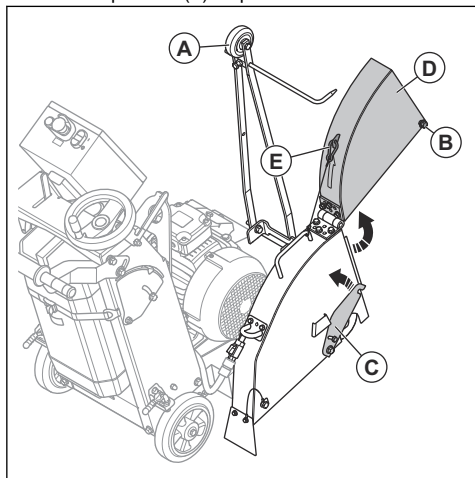
1. Arrêtez le moteur et débranchez le produit de la prise secteur.

- Faites tourner la roue de profondeur de coupe dans le sens des aiguilles d'une montre pour relever complètement le disque de découpe. Poussez le levier pour verrouiller la roue de profondeur de coupe.



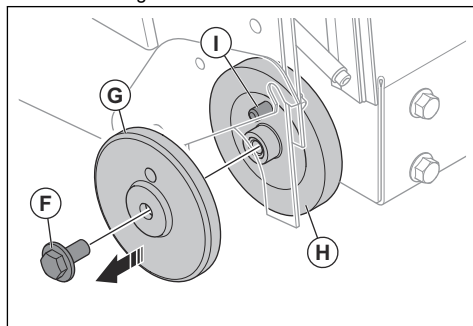
- Le carter de disque doit être installé du même côté du produit que le disque de découpe. Si le carter de disque n'est pas installé du bon côté, reportez-vous à la section *Pour installer le carter de disque à la page 165*.

- Levez le pointeur (A) en position verticale.



- Desserrez le boulon avant (B) du carter de disque et soulevez le loquet du carter de disque (C).
- Soulevez la partie avant du carter de disque (D).
- Verrouillez le carter de disque en position verticale à l'aide du câble et du mousqueton (E).

- Retirez la vis du disque (F) à l'aide de la clé et de la clé de blocage fournies.



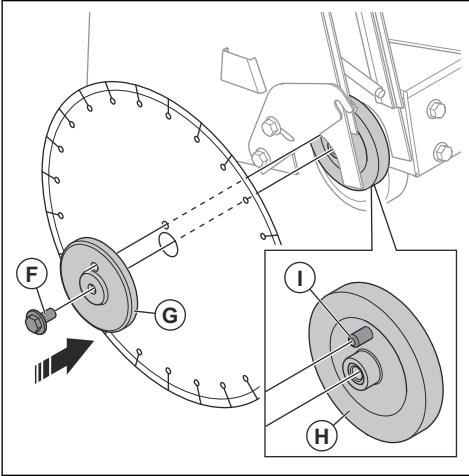
Remarque: La vis du disque située à droite du produit présente un filetage à gauche. La vis du disque située à gauche du produit présente un filetage à droite.

- Retirez la bride du disque (G).

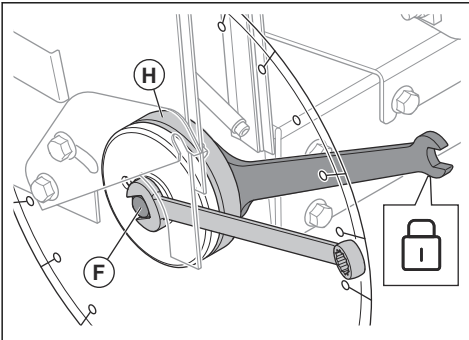


AVERTISSEMENT: La présence de pièces endommagées ou sales peut empêcher l'installation correcte du disque de découpe. Examinez la vis du disque (F), la bride du disque (G), la bride intérieure (H) et la goupille de blocage (I) pour vérifier qu'elles ne sont pas endommagées. Remplacez les pièces usées ou endommagées. Nettoyez les surfaces de contact du disque de découpe et des brides. Nettoyez les filetages de la vis du disque et de la bride intérieure.

10. Installez le disque de découpe sur la bride intérieure (H).

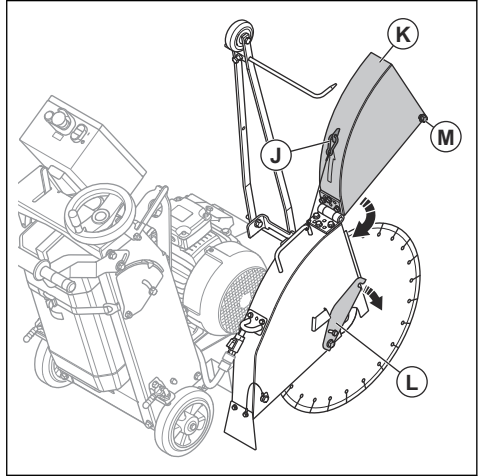


11. Installez la bride du disque (G) et la vis du disque (F). Assurez-vous que la goupille de blocage (I) de la bride intérieure passe par le disque de découpe et la bride du disque (G).
12. Maintenez et poussez le disque de découpe dans le sens inverse de la rotation. Serrez simultanément la vis du disque (F) à l'aide de la clé fournie.
13. Bloquez la bride intérieure (H) à l'aide de la clé fournie et serrez la vis du disque (F) à l'aide de l'autre clé fournie.



14. Serrez la vis du disque (F) à un couple de 100 Nm (74 ft lbs).

15. Libérez le carter de disque du mousqueton (J) et abaissez la partie avant du carter de disque (K).



16. Placez le loquet du carter de disque (L) sur le boulon avant du carter de disque. Serrez le boulon avant (M) du carter de disque.



REMARQUE: N'utilisez pas le produit sans que la partie avant du carter de disque soit abaissée et que le loquet du carter de disque ne soit engagé. N'utilisez pas le produit si les pièces sont endommagées.

17. Assurez-vous que la vis du disque du côté opposé du produit est bien serrée.
18. Faites démarrer le produit. Reportez-vous à la section *Pour démarrer le produit à la page 169*.
19. Écoutez pour repérer des sons inhabituels. Si vous entendez des bruits anormaux, retirez le disque de découpe.
- Examinez le disque de découpe pour repérer d'éventuels dommages.
 - Installez à nouveau le disque de découpe. Remplacez le disque de découpe s'il est endommagé.

Pour retirer le disque de découpe



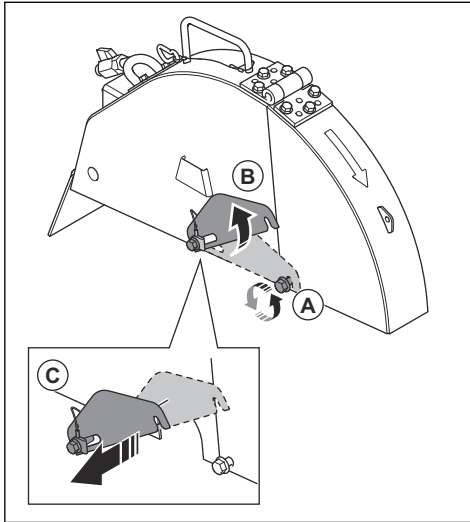
AVERTISSEMENT: Lorsque vous retirez les disques diamantés, laissez le produit refroidir et utilisez des gants de protection. Après utilisation, les disques diamantés sont très chauds.

- Retirez le disque de découpe dans l'ordre inverse de la procédure d'installation. Reportez-vous à la section *Installation d'un disque de découpe à la page 162*.

Pour installer le carter de disque

Le carter de disque doit être installé du même côté du produit que le disque de découpe. Si nécessaire, déplacez le loquet du carter de disque du bon côté du carter de disque.

1. Si le loquet du carter de disque n'est pas installé du bon côté du carter de disque, procédez comme suit.
 - a) Desserrez les 2 vis du couvercle de bride et retirez ce dernier.
 - b) Desserrez le boulon avant (A) du carter de disque et soulevez le loquet du carter de disque (B).

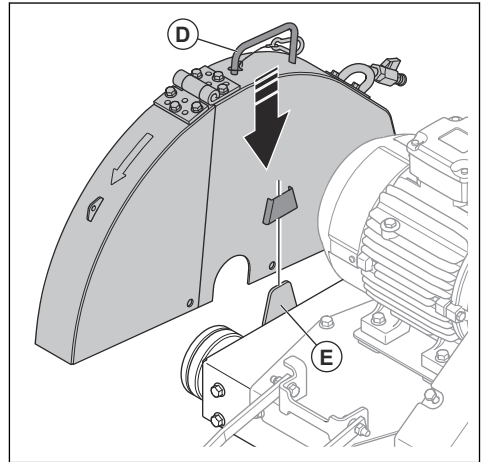


- c) Retirez le boulon arrière et le loquet du carter de disque (C).
2. Déplacez le loquet du carter de disque de l'autre côté du carter de disque. Effectuez la procédure suivante.
 - a) Installez le loquet du carter de disque et serrez le boulon arrière.
 - b) Placez le loquet du carter de disque sur le boulon avant du carter de disque. Serrez le boulon avant (A).

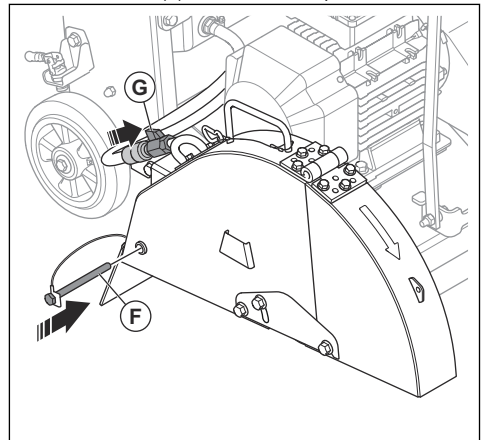


REMARQUE: N'utilisez pas le produit lorsque le loquet du carter de disque n'est pas engagé. N'utilisez pas le produit si les pièces sont endommagées.

3. Utilisez la poignée (D) pour soulever le carter de disque et installez le carter de disque sur le support (E).

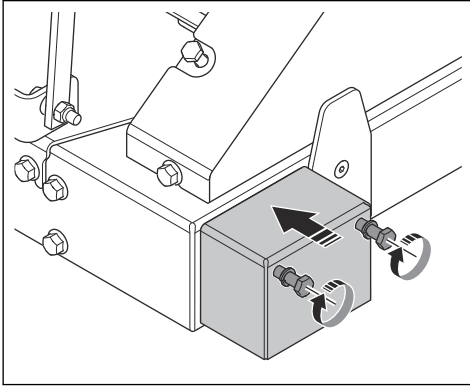


4. Installez la vis (F) du carter de disque.



5. Branchez le tuyau d'eau (G).

6. Installez le couvercle de bride sur le côté opposé du produit et serrez les 2 vis.



Pour déposer le protège-lame

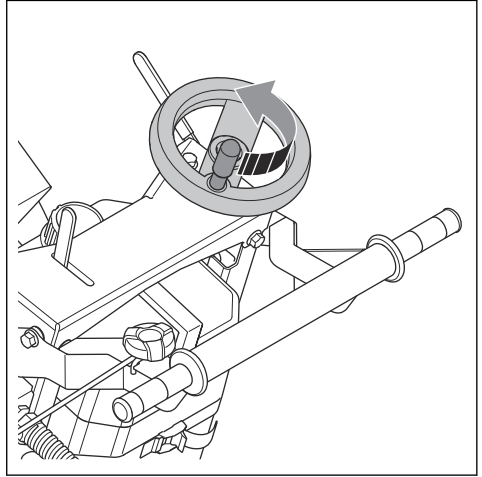
1. Arrêtez le moteur. Reportez-vous à la section *Arrêt du produit* à la page 169.
2. Retirez le carter de disque dans l'ordre inverse de la procédure d'installation. Reportez-vous à la section *Pour installer le carter de disque* à la page 165.

Pour régler l'indicateur de profondeur de coupe

L'indicateur doit être étalonné avant d'utiliser le produit.

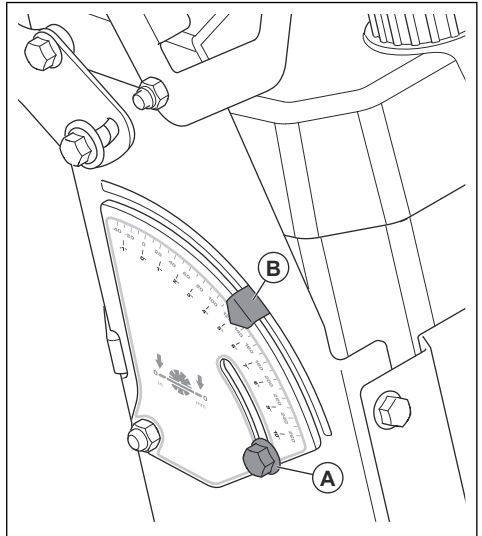
Remarque: Le levier de la roue de profondeur de coupe doit toujours être verrouillé lorsque la roue de profondeur de coupe n'est pas utilisée.

1. Faites tourner la roue de profondeur de coupe jusqu'à ce que le disque de découpe effleure le sol. Poussez le levier pour verrouiller la roue de profondeur de coupe.



REMARQUE: N'abaissez pas la lame de coupe trop rapidement. Si la lame de coupe heurte la surface avec force, la lame de coupe risque d'être endommagée.

2. Serrez la vis (A).



3. Faites tourner la plaque de l'indicateur jusqu'à ce que la position « 0 » soit au centre de la flèche (B).
4. Serrez la vis (A).

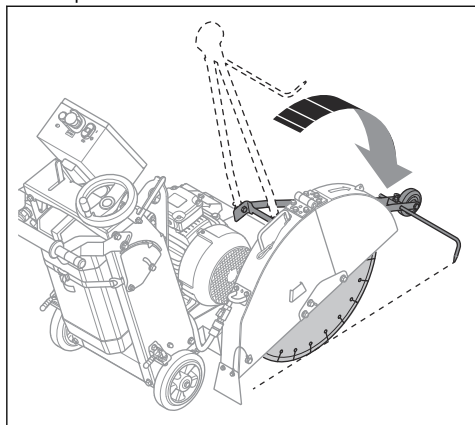


REMARQUE: Vérifiez toujours que la profondeur de coupe est correcte. L'indicateur vous permet d'obtenir la profondeur de coupe correcte, mais ne donne qu'une indication de la valeur de profondeur.

Pour aligner le pointeur avec le disque de découpe

Remarque: Le pointeur doit être aligné avec le disque de découpe.

1. Placez la bride intérieure le long d'une ligne.
2. Abaissez le pointeur et alignez le produit avec les marques.



3. Alignez le pointeur avec la ligne.
4. Si nécessaire, ajustez le pointeur jusqu'à ce qu'il soit aligné avec la ligne.

Techniques de travail de base



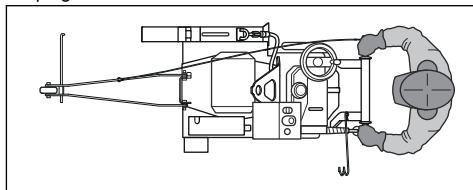
AVERTISSEMENT: L'axe du disque se met à tourner dès le lancement du moteur.

- Assurez-vous de toujours pouvoir appuyer sur le bouton d'arrêt de la machine pendant le fonctionnement.
- Assurez-vous qu'aucun outil ou autre objet n'a été laissé sur le produit.
- Gardez le contrôle du produit lorsque le moteur est mis en marche.
- Assurez-vous que le protège-disque est correctement fixé avant de démarrer le produit. Ne coupez pas sans protège-disque.
- Tracez des lignes de repère pour chaque découpe avant de commencer les travaux. Assurez-vous qu'il n'y a aucun risque pour l'opérateur ou le produit.

- Ne faites pas tourner ou pivoter le produit et ne le déplacez pas d'un côté à l'autre lorsque le disque de découpe est en mouvement.
- Assurez-vous qu'il y a toujours 1 personne supplémentaire à proximité lorsque vous utilisez le produit. En cas d'accident, cette personne peut vous secourir.
- Ne vous éloignez pas du produit sans avoir engagé les freins de stationnement.

Utilisation de la technique de travail correcte

- Restez à l'écart de la trajectoire du disque lorsque le moteur est en marche. L'opérateur doit être positionné derrière le produit, les deux mains sur les poignées.



- Examinez fréquemment la lame de coupe pour détecter des fissures et pièces cassées survenues pendant la journée de travail. N'utilisez pas de disque découpeur endommagé.



AVERTISSEMENT: Arrêtez le moteur et débranchez la fiche d'alimentation avant d'examiner le disque de découpe.

- Ne meulez pas avec le côté de la lame de coupe. La lame de coupe peut se casser et blesser l'utilisateur ou les personnes qui se trouvent à proximité. N'utilisez que le côté tranchant.
- Ne pliez/tordez pas la lame de coupe pendant la coupe.
- Assurez-vous que la lame de coupe se déplace librement et ne se coince pas dans la coupe.

Alimentation en eau

Le disque de découpe doit être suffisamment alimenté en eau pendant le fonctionnement. Utilisez l'eau provenant du réservoir d'eau du produit ou un tuyau d'eau externe. Reportez-vous à *Pour remplir le réservoir d'eau à la page 167* et *Pour raccorder une alimentation en eau externe à la page 168*.

Pour remplir le réservoir d'eau

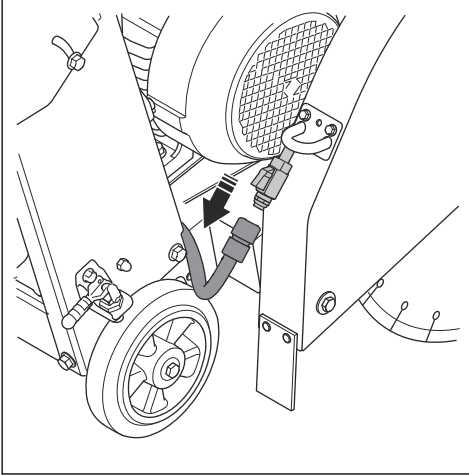


AVERTISSEMENT: ne versez que de l'eau dans le réservoir. Ne versez aucun autre liquide dans le réservoir d'eau.

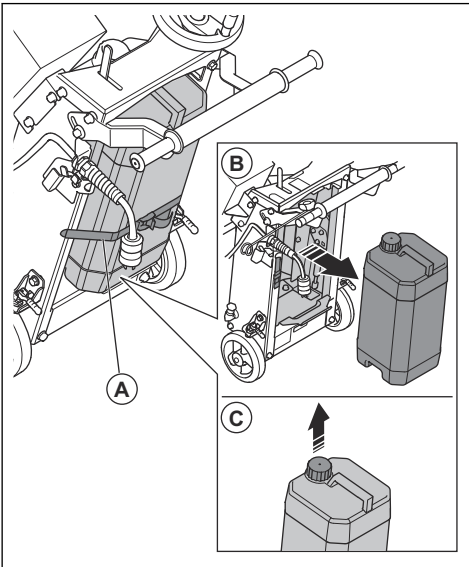


AVERTISSEMENT: Assurez-vous que le disque de découpe effleure légèrement le sol lorsque vous ouvrez le robinet d'eau pour régler le débit.

1. Fermez le robinet d'eau et débranchez le tuyau d'eau.

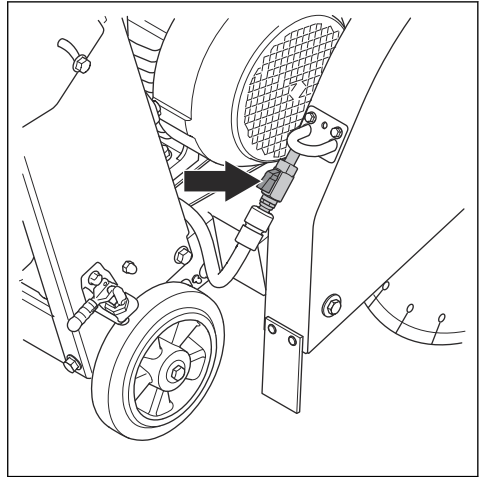


2. Retirez la sangle du réservoir d'eau (A) et le réservoir d'eau (B). Ne renversez pas d'eau sur le produit. Éloignez le réservoir d'eau du produit.



3. Retirez le couvercle du réservoir d'eau (C) et remplissez-le d'eau.
4. Installez le couvercle du réservoir d'eau.

5. Installez le réservoir d'eau.
6. Installez la sangle du réservoir d'eau et branchez le tuyau d'eau.
7. Ouvrez le robinet d'eau du carter de disque pour régler l'alimentation en eau.

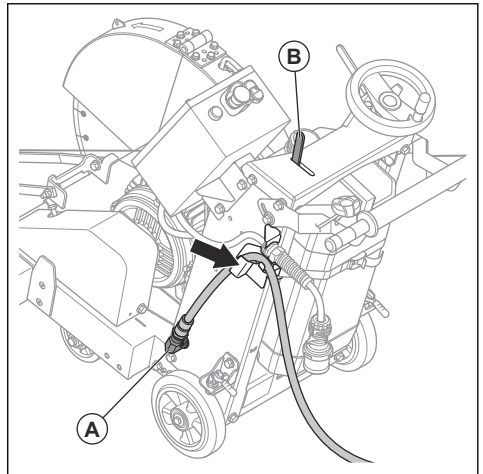


Pour raccorder une alimentation en eau externe

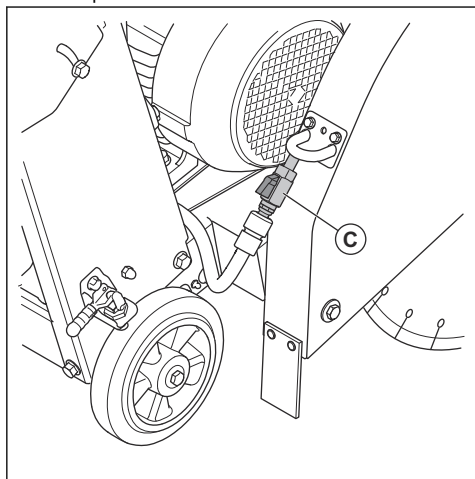


AVERTISSEMENT: Assurez-vous que le disque de découpe effleure légèrement le sol lorsque vous ouvrez le robinet d'eau pour régler le débit.

1. Raccordez le tuyau d'eau externe à l'entrée d'eau (A). Placez le tuyau d'eau externe dans le support de tuyau.



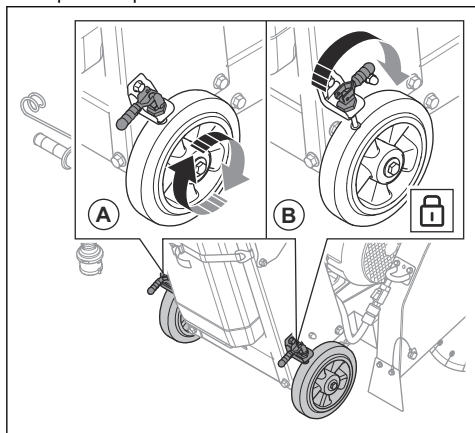
2. Pour ouvrir ou couper l'eau, poussez la vanne d'eau (B) ou ouvrez/fermez le robinet d'eau (C) du carter de disque.



3. Pour régler l'alimentation en eau, poussez la vanne d'eau ou ouvrez/fermez le robinet d'eau du carter de disque.

Pour engager et désengager les freins de stationnement

1. Désengagez les freins de stationnement (A) pour déplacer le produit.



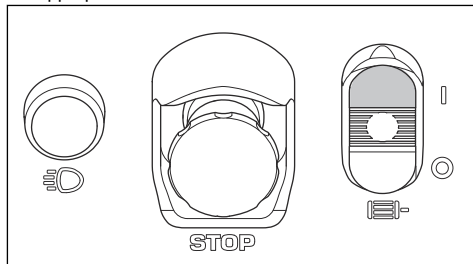
2. Engagez les freins de stationnement (B) pour immobiliser le produit.

Pour démarrer le produit



AVERTISSEMENT: Assurez-vous que le disque de découpe effleure légèrement le sol.

- Placez le bouton ON/OFF en position « I » pour démarrer le produit. En moins de 5 secondes, le produit atteint la vitesse de fonctionnement appropriée.



Pour arrêter le fonctionnement

Remarque: Le levier de la roue de profondeur de coupe doit toujours être verrouillé lorsque la roue de profondeur de coupe n'est pas utilisée.

1. Tirez le levier pour déverrouiller la roue de profondeur de coupe.
2. Faites tourner la roue de profondeur de coupe dans le sens des aiguilles d'une montre jusqu'à ce que le disque de découpe effleure le sol.
3. Poussez le levier pour verrouiller la roue de profondeur de coupe.
4. Fermez le robinet d'eau ou poussez la vanne d'eau pour arrêter l'alimentation en eau. Reportez-vous à la section *Pour raccorder une alimentation en eau externe* à la page 168.

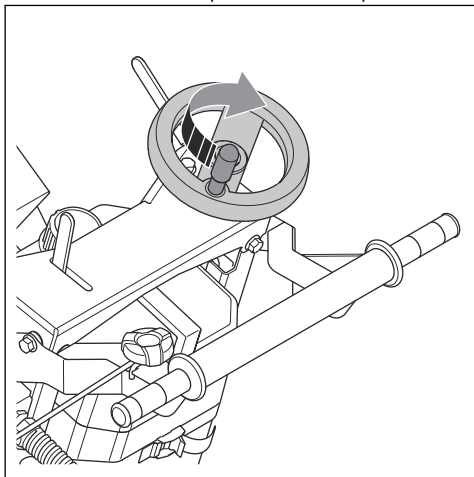
Arrêt du produit



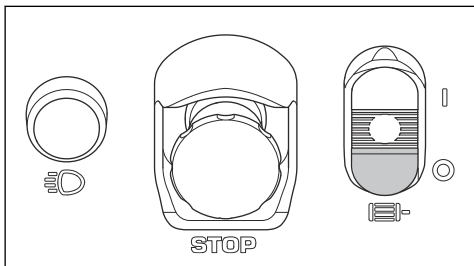
AVERTISSEMENT: Le disque de découpe tourne pendant un moment après l'arrêt du moteur.

Remarque: Le levier de la roue de profondeur de coupe doit toujours être verrouillé lorsque la roue de profondeur de coupe n'est pas utilisée.

1. Faites tourner la roue de profondeur de coupe dans le sens des aiguilles d'une montre pour relever le disque de découpe. Poussez le levier pour verrouiller la roue de profondeur de coupe.



2. Placez le bouton ON/OFF en position « 0 » pour arrêter le moteur.



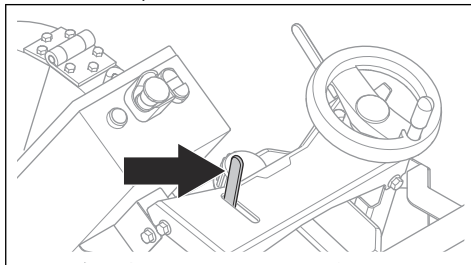
3. Engagez les freins de stationnement.
4. Débranchez la fiche d'alimentation électrique.

Pour couper la surface

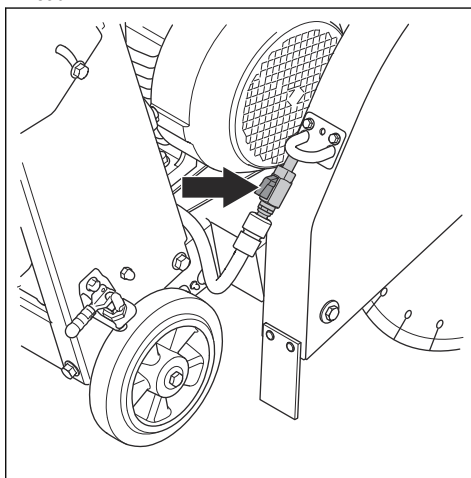
Remarque: Le levier de la roue de profondeur de coupe doit toujours être verrouillé lorsque la roue de profondeur de coupe n'est pas utilisée.

1. Alignez le disque de découpe sur les repères tracés au sol ou sur la découpe de guidage.

2. Si vous utilisez un tuyau d'eau externe, poussez la vanne d'eau pour contrôler l'alimentation en eau.

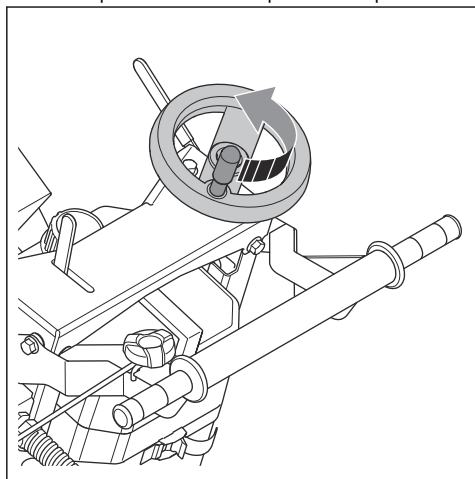


3. Tournez le robinet d'eau pour régler l'alimentation en eau.

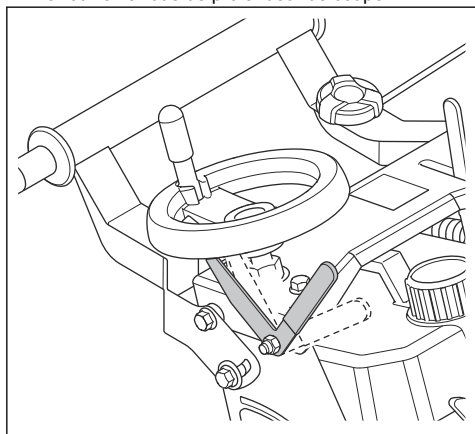


4. Contrôlez le débit d'eau. Si nécessaire, réglez l'alimentation en eau.
5. Démarrer le moteur. Reportez-vous à la section *Pour démarrer le produit à la page 169*.

6. Faites lentement tourner la roue de profondeur de coupe dans le sens contraire des aiguilles d'une montre pour abaisser le disque de découpe.



7. Effectuez une coupe d'environ 20 - 30 mm en guise de repère.
8. Coupez par incréments de 50 mm jusqu'à obtenir la profondeur nécessaire. Poussez le levier pour verrouiller la roue de profondeur de coupe.



9. Réglez l'alimentation en eau lorsque vous utilisez le produit. L'alimentation en eau doit être suffisante de chaque côté du disque de découpe afin de le refroidir. L'eau empêche également l'accumulation de poussière.
10. Coupez uniquement en suivant une ligne et alignez le disque de découpe sur les repères.

11. Poussez lentement le produit vers l'avant et assurez-vous que le pointeur et le disque de découpe sont alignés sur les repères.



REMARQUE: Ne déplacez pas le produit d'un côté à l'autre pour aligner le disque de découpe avec les repères.

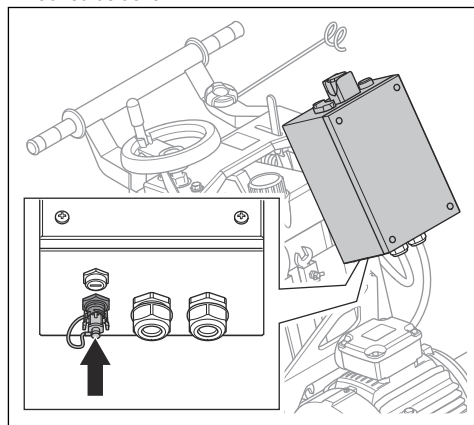
Pour utiliser le kit d'éclairage

Le kit d'éclairage est disponible en tant qu'accessoire. Utilisez uniquement la sortie 24 V pour brancher le feu de travail des kits d'éclairage Husqvarna approuvés.

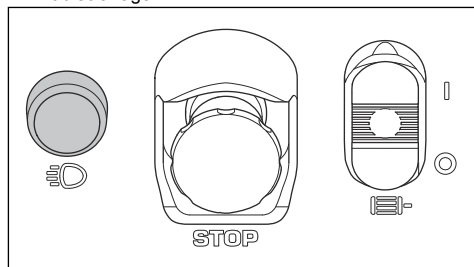


AVERTISSEMENT: ne regardez pas directement le faisceau lumineux.

1. Installez le kit d'éclairage sur la sortie 24 V dédiée au feu de travail.



2. Appuyez sur l'interrupteur d'éclairage pour allumer le kit d'éclairage.



3. Appuyez une nouvelle fois sur l'interrupteur d'éclairage pour éteindre le kit d'éclairage.

Introduction



AVERTISSEMENT: assurez-vous de lire et de comprendre le chapitre sur la sécurité avant de procéder à l'entretien du produit.

Une formation spécifique est nécessaire pour effectuer tous les travaux d'entretien et de réparation du produit. Nous garantissons la disponibilité de réparations et d'un entretien professionnels. Si votre concessionnaire n'est pas un atelier spécialisé, demandez-lui des informations à propos de l'atelier spécialisé le plus proche.

Pour les pièces de rechange, contactez Husqvarna votre concessionnaire ou votre atelier spécialisé

À faire avant l'entretien

- Assurez-vous d'immobiliser le produit pendant l'entretien. Serrez les freins de stationnement et placez des cales derrière et devant les roues.
 - Débranchez toujours la prise de la prise secteur avant de nettoyer, de procéder à l'entretien ou de monter le produit.
 - Éliminez toute trace d'huile et de saleté autour du produit. Enlevez les objets indésirables.
 - Signalez clairement la zone d'entretien pour avertir les personnes à proximité que des travaux d'entretien sont en cours.
 - Gardez les extincteurs, le matériel médical et un téléphone de secours à proximité.
- Garez le produit sur une surface plane et arrêtez le moteur. Appuyez sur le bouton d'arrêt de la machine sur le panneau de commande pour empêcher tout démarrage accidentel pendant l'entretien.

Calendrier d'entretien

Entretien	Au quoti- dien	Mensuel
Nettoyez les surfaces extérieures du produit avec de l'eau. Reportez-vous à la section <i>Nettoyage du produit à la page 173.</i>	X	
Faites une inspection générale. Reportez-vous à la section <i>Pour faire une inspection générale à la page 174.</i>	X	
Vérifiez la courroie d'entraînement. Réglez la tension de la courroie d'entraînement si nécessaire. Reportez-vous à la section <i>Réglage de la tension de la courroie d'entraînement à la page 174.</i>	X	
Contrôlez le bouton d'arrêt de la machine. Reportez-vous à la section <i>Pour contrôler le bouton d'arrêt de la machine à la page 159.</i>	X	
Vérifiez le fonctionnement du bouton ON et du bouton OFF. Reportez-vous à la section <i>Pour vérifier le bouton ON et un bouton OFF à la page 159.</i>	X	
Contrôlez le débit d'eau. Si le débit d'eau n'est pas suffisant, vérifiez le filtre à eau. Si nécessaire, nettoyez le filtre à eau. Reportez-vous à la section <i>Pour nettoyer le filtre à eau à la page 173.</i>	X	
Contrôlez les protège-disques. Reportez-vous à la section <i>Pour contrôler le carter de disque à la page 160.</i>	X	
Contrôlez le disque de coupe. Reportez-vous à la section <i>Disques de découpe à la page 161.</i>	X	
Lubrifiez les bagues et le levier de réglage de la profondeur de coupe. Reportez-vous à la section <i>Pour lubrifier le produit à la page 174.</i>	X	
Lubrifiez l'écrou au niveau de la plaque de la courroie d'entraînement et de l'essieu. Reportez-vous à la section <i>Pour lubrifier le produit à la page 174.</i>		X

Nettoyage du produit



AVERTISSEMENT: utilisez des lunettes de protection. Lorsque vous nettoyez le produit, de la poussière et des matières nocives peuvent en être éjectés.



REMARQUE: Une prise d'air obstruée réduit les performances du produit et peut provoquer une surchauffe du moteur.

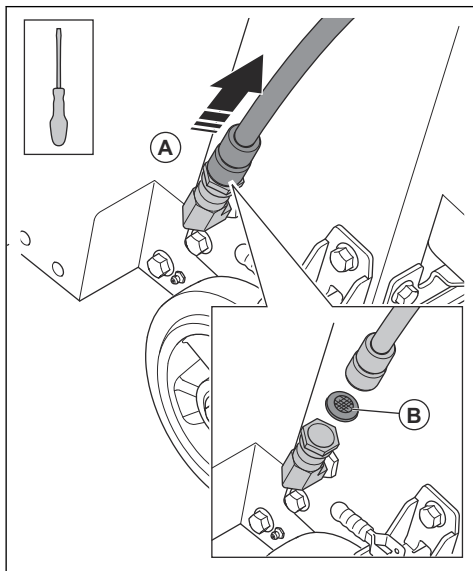
- Laissez le produit refroidir avant de le nettoyer.
- Ne nettoyez pas les composants électriques avec de l'eau.
- Utilisez un produit de nettoyage doux. Portez des gants de protection pour éviter toute irritation de la peau.
- Nettoyez toujours la totalité de l'équipement à la fin de la journée de travail. N'utilisez pas de nettoyeur haute pression pour nettoyer le produit.
- Éliminez toute obstruction de toutes les prises d'air.

Pour nettoyer le filtre à eau



REMARQUE: Un filtre à eau obstrué réduit le débit d'eau vers le disque de découpe et peut entraîner la surchauffe du disque.

1. Débranchez le tuyau d'eau externe (A) de l'entrée d'eau.



2. Retirez le filtre à eau (B) à l'aide d'un tournevis plat.
3. Vérifiez le filtre à eau. Si nécessaire, nettoyez le filtre à eau.
4. Installez le filtre à eau et branchez le tuyau externe.

Pour faire une inspection générale

- Assurez-vous que les vis et les écrous du produit sont serrés.
- Assurez-vous que les câbles du produit ne se trouvent pas dans une position où ils risquent d'être endommagés.
- Examinez les composants électriques pour repérer d'éventuels dommages. N'utilisez pas un produit dont les composants électriques sont endommagés.
- Vérifiez que les tuyaux d'eau ne fuient pas. N'utilisez pas un produit dont les tuyaux d'eau sont endommagés.

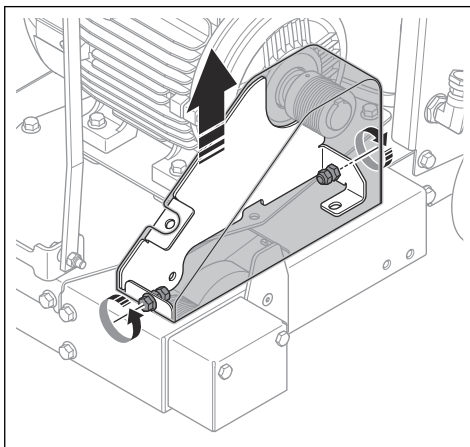
Réglage de la tension de la courroie d'entraînement



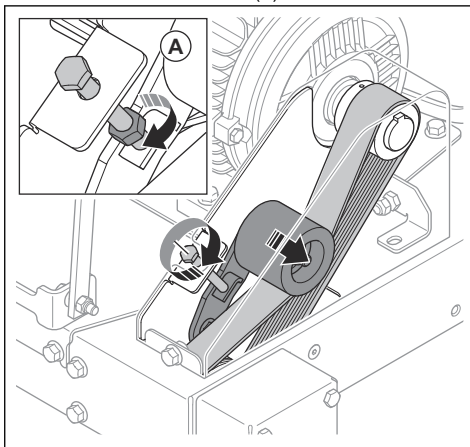
REMARQUE: Assurez-vous que la courroie d'entraînement n'est pas endommagée.

La tension d'une courroie d'entraînement neuve doit être réglée après 2 heures.

1. Desserrez les 2 vis et retirez le carter de courroie d'entraînement.



2. Desserrez le contre-écrou (A).



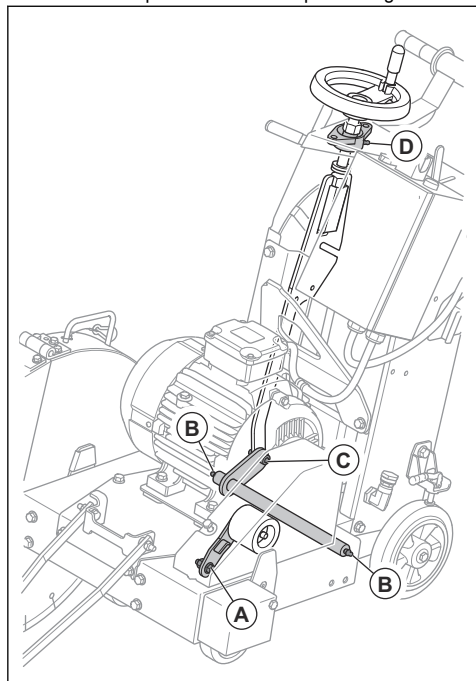
3. Utilisez la vis de tension pour régler la pression exercée sur la courroie d'entraînement par la poulie. La tension de la courroie d'entraînement est correcte lorsque la fréquence de la courroie d'entraînement se situe dans l'intervalle indiqué dans la section *Caractéristiques techniques à la page 177*.
4. Serrez le contre-écrou.
5. Installez le carter de courroie d'entraînement et les 2 vis.

Pour lubrifier le produit

Remarque: Le levier de la roue de profondeur de coupe doit toujours être verrouillé lorsque la roue de profondeur de coupe n'est pas utilisée.

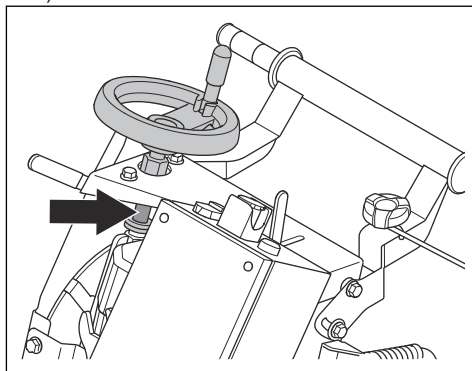
Lubrifiez les composants suivants. Lubrifiez jusqu'à ce que de la graisse soit visible sur les bords.
Pour savoir quelle graisse appliquer, reportez-vous à *Caractéristiques techniques à la page 177*.

1. Raccordez le pistolet à graisse au graisseur.
2. Lubrifiez la bague (A) au niveau de la plaque de la courroie d'entraînement à l'aide d'un pinceau.
3. Lubrifiez les bagues (B) sur le côté gauche et sur le côté droit du produit. Utilisez un pistolet à graisse.

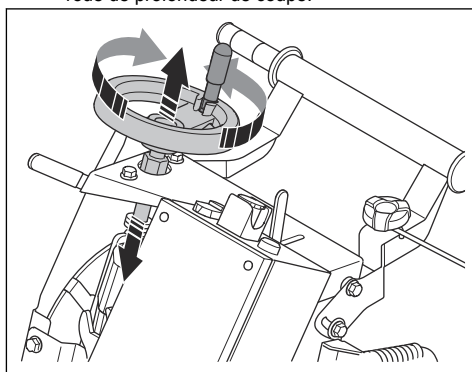


4. Lubrifiez l'essieu (C) à l'aide d'un pinceau.
5. Lubrifiez les points de lubrification du levier de réglage de la profondeur de coupe (D). Utilisez un pistolet à graisse.

- a) Lubrifiez l'essieu en dessous de l'écrou.



- b) Faites tourner la roue de profondeur de coupe dans le sens des aiguilles d'une montre, puis dans le sens contraire des aiguilles d'une montre à plusieurs reprises et lubrifiez de manière uniforme. Poussez le levier pour verrouiller la roue de profondeur de coupe.



Dépannage

Le produit ne démarre pas

- Assurez-vous que l'alimentation électrique et les cordons d'alimentation ne sont pas endommagés.
- Examinez le bouton d'arrêt de la machine, tournez le bouton dans le sens des aiguilles d'une montre pour le relâcher.
- Examinez le témoin d'erreur. Reportez-vous à la section *Témoin d'erreur à la page 176*.

Le produit s'arrête soudainement.

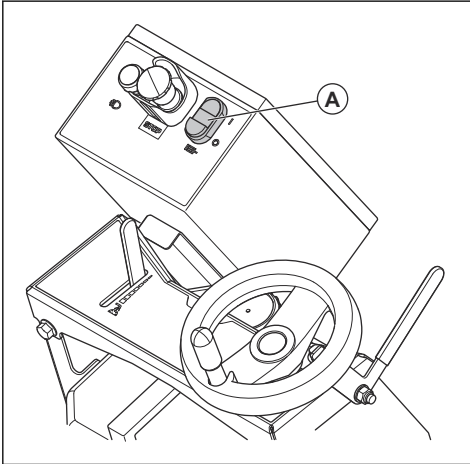
- Si la charge de travail est trop importante pour le produit, la protection du moteur se déclenche et arrête le moteur. Reportez-vous à la section *Témoin d'erreur à la page 176*.

Arrêt du produit au démarrage

La tension d'alimentation doit être correcte pour assurer les bonnes performances du moteur. Des rallonges trop longues ou trop fragiles réduisent la puissance du moteur pendant le fonctionnement.

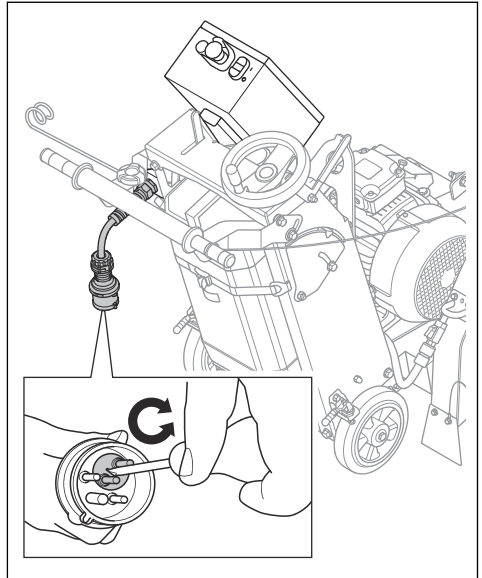
- Si la charge de travail est trop importante pour le produit, la protection du moteur se déclenche et arrête le moteur. Reportez-vous à la section *Témoin d'erreur* à la page 176.
- Assurez-vous que les rallonges ne sont pas trop longues ni trop fragiles. Essayez à nouveau de démarrer le produit.
- Assurez-vous que le disque de découpe tourne librement.
- Si le produit persiste à s'arrêter lors du démarrage, adressez-vous à un atelier d'entretien agréé.

Témoin d'erreur



Le témoin d'erreur (A) s'allume dans les situations suivantes :

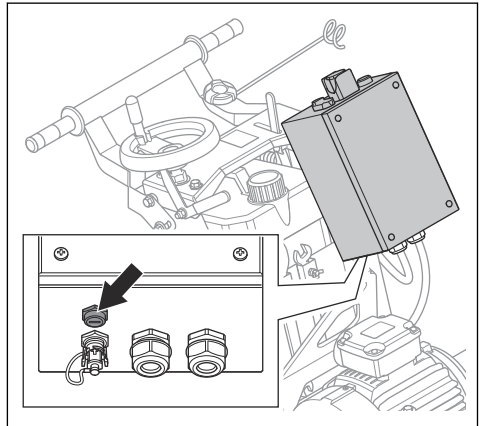
- Le moteur est surchargé. Le moteur s'arrête.
- cela indique une erreur de phase. Il est nécessaire d'ajuster la prise électrique.



Laissez la protection du moteur refroidir et attendez que le témoin d'erreur s'éteigne avant de redémarrer le moteur. Vous devez attendre environ 60 secondes.

Le feu de travail ne s'allume pas

- Contrôlez le fusible du feu de travail. Si le fusible a grillé, remplacez-le par un fusible adapté. Reportez-vous à la section *Caractéristiques techniques* à la page 177.



Transport, entreposage et mise au rebut

Transport

- Retirez le disque de découpe avant le transport du produit.
- Ce produit est lourd. Soulevez le produit avec précaution, risque de blessures. Reportez-vous à la section *Pour lever le produit à la page 177*.
- Respectez les exigences spéciales pour le transport commercial.
- Fixez le produit au cours du transport. Assurez-vous qu'il ne puisse pas bouger.

Pour lever le produit



AVERTISSEMENT: assurez-vous que le matériel de levage est de dimensions appropriées. La plaque signalétique du produit indique le poids du produit.



AVERTISSEMENT: assurez-vous que l'anneau de levage n'est pas endommagé.



AVERTISSEMENT: ne marchez pas sur un produit soulevé et ne restez en dessous ou à proximité.

- Utilisez l'équipement de levage correct pour soulever le produit. Ne soulevez pas le produit manuellement.
- Utilisez l'anneau de levage fixé sur le produit pour le soulever.

- Utilisez des bottes avec embouts en acier et semelles antidérapantes.

Stockage du produit

- Conservez le produit dans un endroit verrouillé afin que des enfants ou personnes qui ne sont pas autorisées à l'utiliser ne puissent pas y avoir accès.
- Gardez toujours le produit à l'intérieur.
- Conservez le produit dans un endroit sec et à l'abri du gel.
- Retirez le disque de découpe du produit après l'utilisation. Le disque de découpe doit être sec lors de son rangement.
- Placez le produit sur une surface plane.

Mise au rebut

Les symboles figurant sur le produit ou l'emballage indiquent que ce produit ne peut pas être traité comme un déchet domestique ordinaire. Il doit être déposé dans un site de recyclage prévu pour la récupération d'équipements électriques et électroniques.

En prenant soin correctement de ce produit, vous contribuez à compenser l'éventuel effet négatif sur l'environnement et les personnes, qui autrement pourrait être engendré par la mauvaise gestion de la mise au rebut du produit. Pour obtenir de plus amples informations sur le recyclage de ce produit, contactez votre municipalité, votre service des ordures ménagères ou le magasin où vous avez acheté ce produit.

Caractéristiques techniques

Caractéristiques techniques

Sortie du moteur, kW	7,5
Tension nominale VCA à la fréquence indiquée en Hz	3~400 à 50 (CE) 3~415 à 50 (AUS)
Intensité nominale, A	15
Prise de courant	CEE, 3~, 16 A (CE) 56P420, 20 A, 500 V (AUS)
Diamètre de disque max., mm	600
Profondeur de coupe max., mm	240

Vitesse de rotation max. de la broche (à un régime moteur nominal de 2925 tr/min), tr/min	1765
Diamètre de mandrin, mm	25,4
Diamètre de bride de disque, mm	116
Pression d'eau max., bar	6
Poids nominal (déballé), kg	178
Poids maximal sans réservoir d'eau, kg	183
Poids maximal avec réservoir d'eau plein, kg	214
Graisse	DIN 51825 classe de graisse K2K-30 ou K3K-30
Tension de courroie correcte, Hz	88 - 93
Sortie de feu de travail, VCC	24
Fusible de feu de travail, A	4 (5x20 mm)
Couple de serrage de la vis du disque, Nm/ft lbs	100/74

Niveaux sonores

Vibrations et émissions sonores	
Niveau de puissance sonore L_{WA} (mesuré), dB (A)	105
Niveau de puissance sonore L_{WA} (garanti), dB (A) ¹⁶	107
Niveau de pression sonore à l'oreille de l'utilisateur, dB(A) ¹⁷	83
Niveaux de vibrations a_{hv} , m/s ² , poignée droite/poignée gauche ¹⁸	2,6/3,1

Déclaration relative au bruit et aux vibrations

Ces valeurs déclarées ont été obtenues grâce à des essais types effectués en laboratoire conformément à la directive ou aux normes mentionnées. Elles conviennent à l'établissement d'une comparaison avec les valeurs déclarées d'autres produits testés conformément aux mêmes normes ou à la même directive. Ces valeurs ne sont pas adaptées à une utilisation à des fins d'évaluations des risques ; les valeurs mesurées dans différents lieux de travail peuvent être plus élevées. Les valeurs d'exposition réelles et les risques de blessures rencontrés par chaque utilisateur sont uniques

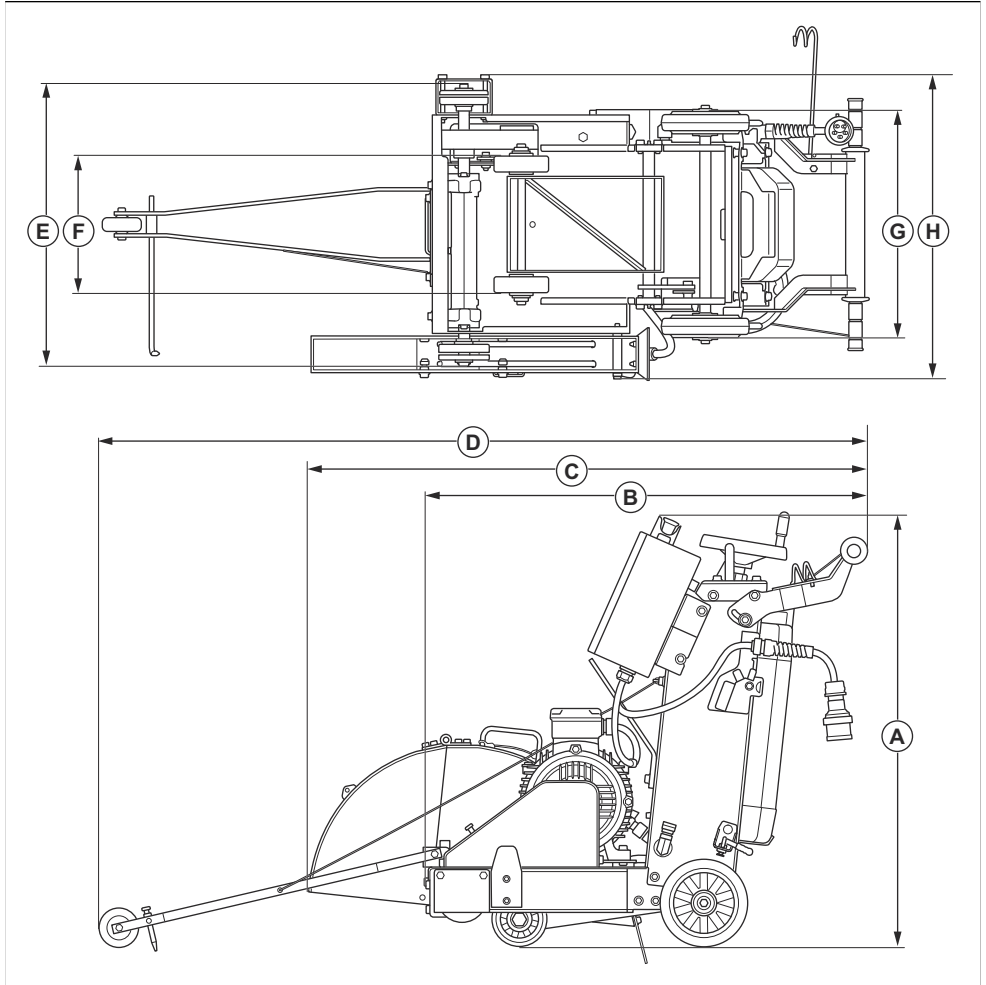
et dépendent de la manière dont l'utilisateur travaille, dans quel matériau le produit est utilisé, mais aussi de la durée d'exposition, de la condition physique de l'utilisateur et de l'état du produit.

¹⁶ Émissions sonores dans l'environnement mesurées comme puissance sonore (L_{WA}) selon la directive européenne 2000/14/CE. Le niveau de puissance sonore garanti diffère du niveau mesuré en cela qu'il prend également en compte la dispersion et les variations d'une machine à l'autre du même modèle, conformément à la directive 2000/14/CE.

¹⁷ Niveau de pression sonore conformément à la norme EN 13862. Les données reportées pour le niveau de pression sonore montrent une dispersion statistique typique (déviations standard) de 2,5 dB (A)

¹⁸ Niveau de vibration conformément à EN 13862. Les données reportées pour le niveau de vibrations montrent une dispersion statistique typique (déviations standard) de 1 m/s²

Dimensions du produit



R	Hauteur, mm	985	E	Largeur min. (carter de disque non installé), mm	645
B	Longueur min. (pointeur vers le haut et carter de disque ou disque de découpe non installé), mm	1010	F	Largeur de roue avant, mm	320
C	Longueur (pointeur vers le haut et carter de disque installé), mm	1275	G	Largeur de roue arrière, mm	520

D	Longueur max. (pointeur vers le bas), mm	1 750	H	Largeur max. (carter de disque installé), mm	700
----------	--	-------	----------	--	-----

Accessoires

Accessoires Husqvarna homologués

- Kit d'éclairage.
- Réservoir d'eau.

Déclaration de conformité

Déclaration de conformité UE

déclarons sous notre entière responsabilité que le produit :

Nous soussignés, Husqvarna AB,
SE 561 82 Huskvarna, SUÈDE, tél. : +46 36 146500,

Description	Machine de découpe de sol
Marque	HUSQVARNA
Type/Modèle	FS 600 E
Identification	Les numéros de série à partir de 2021

sont entièrement conformes à la réglementation et aux directives de l'UE suivantes :

Directive/Réglementation	Description
2006/42/EC	« relative aux machines »
2014/30/EU	« relative à la compatibilité électromagnétique »
2000/14/EC	« relative au bruit extérieur »
2011/65/EU	« relative à la limitation de l'utilisation de certaines substances dangereuses »

et que les normes et/ou les spécifications techniques suivantes sont appliquées :

EN ISO 12100:2010

EN 13862:2001+A1:2009

EN 55014-1:2021

EN 61000-6-2:2019

EN 61000-3-2:2019+A1:2021

EN 61000-3-3:2013+A1:2019

EN IEC 63000:2018

Procédure d'évaluation de la conformité conformément à la Directive 2000/14/CE : Annexe V.

Pour toute information relative aux émissions sonores, veuillez consulter la section *Caractéristiques techniques* à la page 177.

Partille, 2021-12-08

Erik Silfverberg

Directeur R&D, équipement de découpe et forage du béton

Husqvarna AB, division Construction

Responsable de la documentation technique



A handwritten signature in black ink, appearing to be 'Erik Silfverberg', is located at the bottom left of the page.

Sommario

Introduzione.....	182	Trasporto, stoccaggio e smaltimento.....	206
Sicurezza.....	186	Dati tecnici.....	207
Utilizzo.....	191	Accessori.....	210
Manutenzione.....	202	Dichiarazione di conformità.....	211
Ricerca guasti.....	205		

Introduzione

Descrizione del prodotto

Il prodotto è una tagliasuolo elettrica a conduzione manuale.

Uso previsto

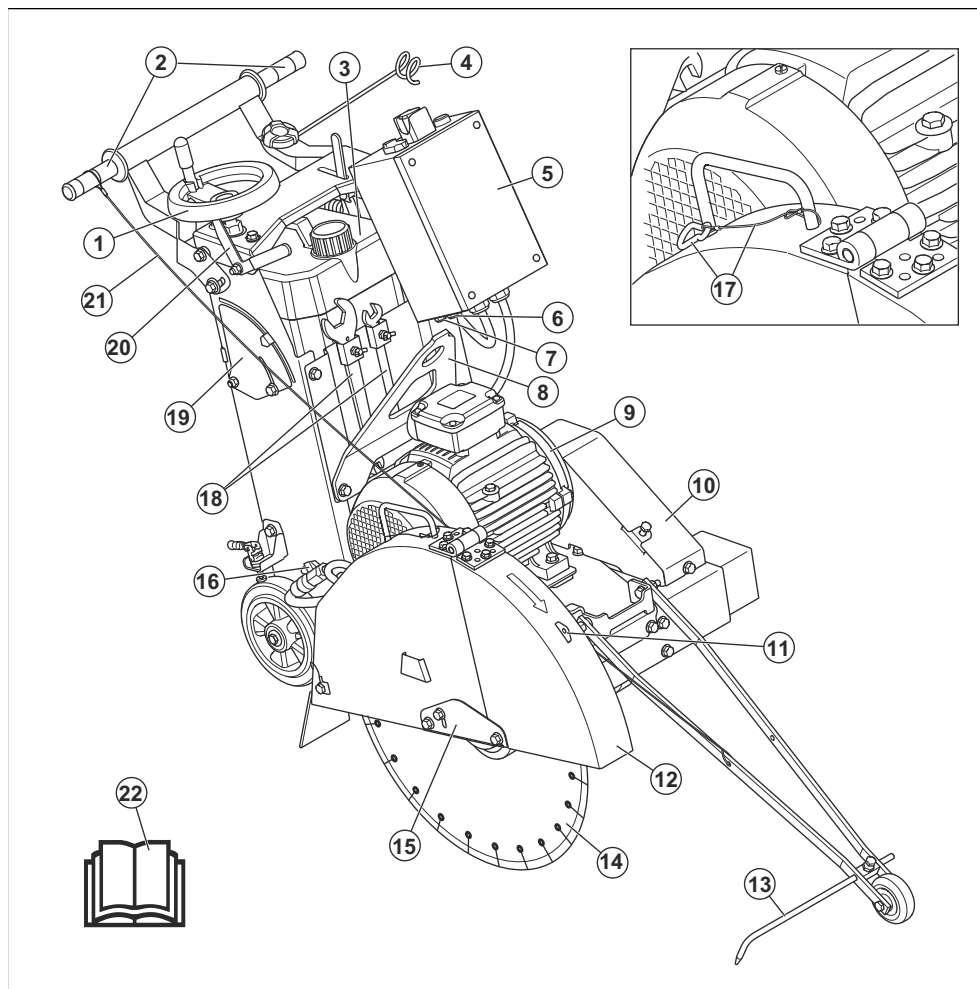
Questo prodotto viene utilizzato con lame diamantate per il taglio a umido per tagliare materiali di pavimenti

duri come calcestruzzo, asfalto e pietra. Qualsiasi altro uso è da considerarsi improprio.

Il prodotto viene utilizzato per attività industriali da operatori esperti.

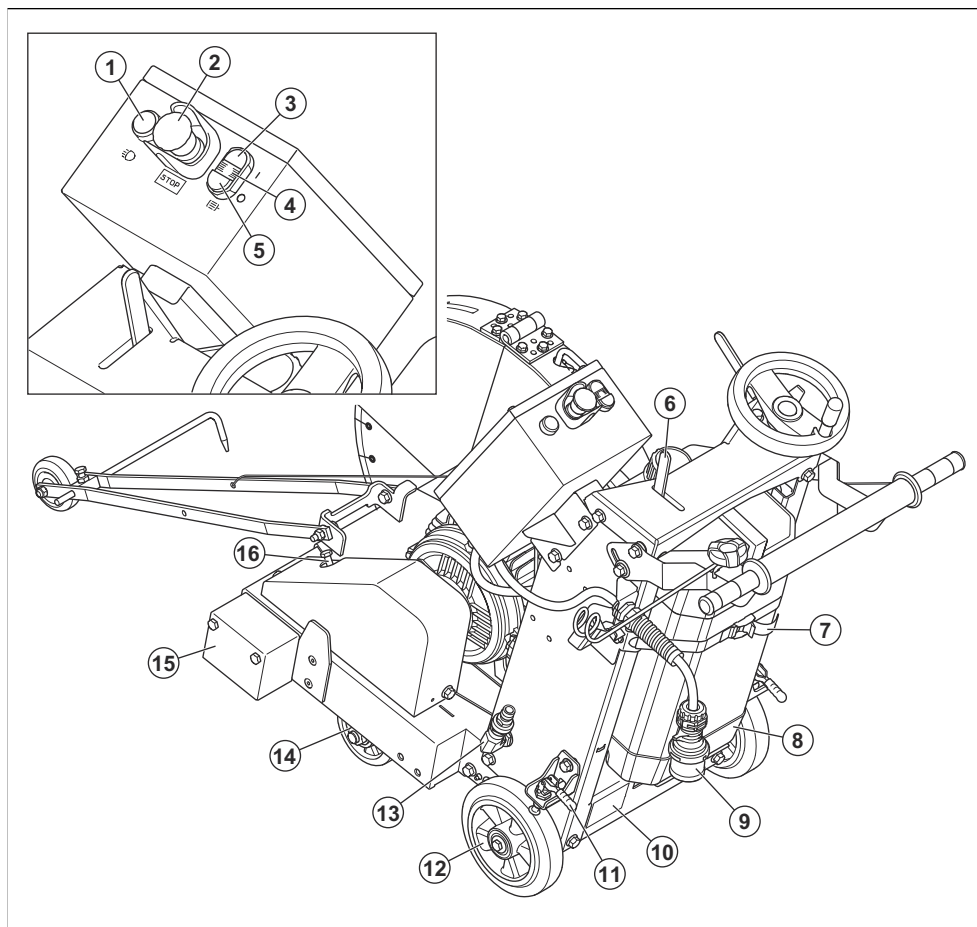
Non utilizzare all'esterno o in condizioni di bagnato, questa macchina è destinata esclusivamente all'uso in interno.

Panoramica del prodotto, lato destro



- | | |
|--|---|
| 1. Ruota della profondità di taglio | 12. Carter copridisco |
| 2. Impugnatura | 13. Rotella |
| 3. Serbatoio d'acqua e coperchio (opzionale) | 14. Lama (non inclusa) |
| 4. Guida del cavo e del tubo | 15. Fermo della protezione lama |
| 5. Scatola di collegamenti elettrici | 16. Rubinetto dell'acqua |
| 6. Fusibile per la luce di lavoro | 17. Filo e moschettone |
| 7. Presa per la luce di lavoro | 18. Strumenti per la manutenzione |
| 8. Golfare di sollevamento | 19. Spia della profondità di taglio |
| 9. Motore | 20. Leva per bloccare la profondità di taglio |
| 10. Coperchio della cinghia di trasmissione | 21. Cordino del puntatore |
| 11. Staffa per il moschettone | 22. Manuale operatore |

Panoramica del prodotto, lato sinistro



1. Interruttore luci per luci di lavoro (kit luce opzionale)
2. Pulsante di arresto macchina
3. Pulsante ON
4. Indicatore di errore
5. Pulsante OFF
6. Valvola dell'acqua
7. Cinghia del serbatoio d'acqua
8. Serbatoio d'acqua (opzionale)
9. Presa di corrente
10. Targhetta dati di funzionamento
11. Freno di stazionamento
12. Ruota posteriore
13. Ingresso dell'acqua e filtro dell'acqua
14. Ruota anteriore
15. Coperchio della flangia

16. Vite di tensionamento, cinghia di trasmissione

Simboli riportati sul prodotto



AVVERTENZA: questo prodotto può essere pericoloso e causare lesioni gravi o mortali all'operatore o a terzi. Prestare attenzione e utilizzare il prodotto correttamente.



Leggere attentamente il Manuale dell'operatore e accertarsi di aver compreso le istruzioni prima di utilizzare questo prodotto.



Rischio di ferite da taglio. Tenere il corpo lontano dal disco di taglio.



Tenere le parti del corpo a distanza dal disco di taglio e da altre parti in movimento.



Accertarsi che il disco di taglio non sia smussato o abbia danni, come ad esempio incrinature.



Montare sempre le protezioni lama sulla macchina. Non lasciar vedere più di 180° del disco di taglio.



Accertarsi che la lama a disco possa essere applicata alla stessa velocità o a una velocità superiore al valore indicato sul prodotto. Un disco di taglio azionato a una velocità troppo elevata può rompersi e causare lesioni o danni.



AVVERTENZA: la polvere può causare problemi alla salute. Utilizzare una protezione respiratoria omologata. Assicurarsi sempre che vi sia una buona circolazione dell'aria.



AVVERTENZA: Non guardare direttamente il raggio. Questa avvertenza è applicabile solo quando è installato il kit luci.



Utilizzare protezioni acustiche, per gli occhi e per le vie respiratorie. Fare riferimento a *Abbigliamento protettivo personale alla pagina 189*.



Rischio di scosse elettriche: il controllo e/o la manutenzione devono essere eseguiti a motore spento e con la spina scollegata.



Qualsiasi spostamento della macchina al di fuori dell'area di taglio deve essere effettuato esclusivamente con lo strumento non in rotazione.



Rimuovere la lama prima del trasporto, oppure quando si solleva, installa o rimuove il prodotto.



La freccia sulla protezione della lama mostra in quale direzione ruota il disco di taglio.



Inserire/disinserire i freni di stazionamento.



Riempiere il serbatoio esclusivamente con acqua.



Valvola per i sistemi di raffreddamento dell'acqua della lama a disco.



Comando di sollevamento/abbassamento per la regolazione della profondità di taglio.



Sollevare sempre il prodotto tramite l'apposito punto di sollevamento.



Messa a terra protettiva.



Pulsante ON.



Pulsante OFF.



Pulsante di arresto macchina.



Interruttore luci per le luci di lavoro.



Pulsante ON/OFF del motore, indicatore di errore.



Emissione di rumore sull'etichetta ambientale secondo le direttive e le normative UE e UK. Il livello di potenza sonora garantito del prodotto è specificato in *Livelli di rumorosità alla pagina 208*,

Dichiarazione di conformità alla pagina 211 e sull'etichetta.



Rischio di scosse elettriche. La manutenzione di questa apparecchiatura deve essere eseguita esclusivamente da personale autorizzato.



Il presente prodotto è conforme alle direttive CEE vigenti.



Il presente prodotto è conforme alle direttive del Regno Unito vigenti.



Il prodotto o l'imballaggio del prodotto non è un rifiuto domestico. Riciclarlo in un punto di riciclaggio approvato per apparecchiature elettriche ed elettroniche.

1. Produttore
2. Indirizzo del produttore
3. Codice QR scansionabile
4. Designazione del tipo
5. Codice articolo
6. Numero di serie
7. Peso del prodotto, kg
8. Data di produzione, anno/mese
9. Tensione: Corrente alternata trifase, V
10. Frequenza, Hz
11. Corrente nominale, A
12. Uscita motore, kW
13. Diametro massimo della lama, mm
14. Velocità massima dell'albero, n/min
15. Informazioni aggiuntive

Responsabilità del prodotto

Come indicato nelle leggi vigenti in materia di responsabilità obbligatoria sul prodotto, non siamo responsabili per eventuali danni causati dal nostro prodotto se:

- Il prodotto viene riparato in modo errato.
- Il prodotto viene riparato con parti che non provengono o non sono omologate dal produttore.
- Il prodotto contiene un accessorio che non proviene o non è omologato dal produttore.
- Il prodotto non viene riparato presso un centro di assistenza autorizzato o presso un'autorità competente.

Targhetta dati di funzionamento

①	②	③
④	Husqvarna AB, S-561 82, Husqvarna, Sweden	
ARTICLE NO.	⑤ Made in China	
SERIAL NO. (HID)	⑥	
⑦	⑨	⑫
	⑩	⑬
⑧	⑪	⑭
⑮		

Sicurezza

Definizioni di sicurezza

Le avvertenze, le precauzioni e le note sono utilizzate per evidenziare le parti importanti del manuale.



AVVERTENZA: Utilizzato se è presente un rischio di lesioni o morte dell'operatore o di passanti nel caso in cui le istruzioni del manuale non vengano rispettate.



ATTENZIONE: Utilizzato se è presente un rischio di danni al prodotto, ad altri materiali oppure alla zona adiacente nel caso in cui le istruzioni del manuale non vengano rispettate.

Nota: Utilizzato per fornire ulteriori informazioni necessarie in una determinata situazione.

Avvertenze generali di sicurezza dell'elettrotensile



AVVERTENZA: Leggere tutte le avvertenze di sicurezza, le istruzioni, le illustrazioni e le specifiche fornite con questo elettrotensile. La mancata osservanza di tutte le istruzioni elencate di seguito può dare luogo a scosse elettriche, incendi e/o gravi lesioni.

Conservare tutte le avvertenze e le istruzioni per la futura consultazione. Nelle avvertenze, il termine

"elettroutensile" si riferisce al vostro utensile alimentato tramite rete elettrica (con cavo) o a batteria (senza fili).

Sicurezza dell'area di lavoro

- **Tenere l'area di lavoro pulita e ben illuminata.** Le zone in disordine o male illuminate possono provocare incidenti.
- **Non mettere in funzione attrezzi elettrici in ambienti esplosivi, quali quelli che comportano la presenza di liquidi infiammabili, gas o polvere.** Gli attrezzi elettrici generano scintille che possono incendiare polveri o fumi.
- **Tenere lontani bambini e spettatori mentre si fa funzionare un attrezzo elettrico.** Le distrazioni possono causare la perdita del controllo.

Sicurezza elettrica

- **Le spine degli elettroutensili devono essere adatte alla presa. Evitare assolutamente di apportare modifiche alla spina. Non utilizzare adattatori.** Le spine non modificate e le prese adatte allo scopo riducono il rischio di scosse elettriche.
- **Evitare il contatto con superfici messe a massa o collegate a terra, come condutture, radiatori, stufe e frigoriferi.** In casi simili, si verificherebbe un aumento del rischio di scosse elettriche.
- **Non esporre gli elettroutensili a pioggia o umidità.** L'ingresso di acqua in un elettroutensile fa aumentare il rischio di scosse elettriche.
- **Non rovinare il cavo elettrico. Non usare mai il filo per trasportare, tirare o staccare dalla presa l'elettroutensile. Non avvicinare il cavo a fonti di calore, olio, spigoli taglienti e neppure a parti della macchina che siano in movimento.** I cavi danneggiati o attorcigliati fanno aumentare il rischio di scosse elettriche.
- **Per l'impiego di un elettroutensile, usare un cavo di prolunga adatto per l'uso all'aperto.** L'uso di un cavo omologato per l'impiego all'aperto riduce il rischio di scosse elettriche.
- **Per l'impiego dell'elettroutensile, utilizzare sempre un interruttore differenziale (salvavita) per proteggere il circuito di alimentazione.** L'utilizzo di un salvavita riduce il rischio di scosse elettriche.
- **Controllare che la presa di corrente abbia lo stesso voltaggio di quello indicato sulla targhetta dati di funzionamento del prodotto.** Fare riferimento a *Targhetta dati di funzionamento alla pagina 186.*

Sicurezza personale

- **Nell'uso di un elettroutensile, restare allerta, fare attenzione a ciò che si sta facendo e usare il buon senso.** Non usare un elettroutensile quando si è stanchi o sotto l'effetto di droga, alcol o farmaci. Un attimo di disattenzione può causare lesioni personali gravi.
- **Usare sempre abbigliamento protettivo personale.** Indossare sempre una protezione per gli occhi. L'uso in condizioni adeguate dell'abbigliamento protettivo

(come mascherina protettiva, calzature di sicurezza antiscivolo, elmetto o cuffie protettive) riduce le lesioni personali.

- **Prevenire la messa in funzione accidentale. Accertarsi che l'interruttore sia in posizione OFF prima di effettuare il collegamento alla presa dell'alimentazione e/o alla batteria, di sollevare o trasportare l'attrezzo.** Il trasporto di elettroutensili tenendo le dita sull'interruttore o su attrezzi che producono corrente e il cui interruttore è acceso, può provocare incidenti.
- **Rimuovere qualunque chiave o strumento di regolazione prima di accendere l'elettroutensile.** Qualunque chiave o attrezzo lasciato attaccato a parti rotanti può causare danni alla persona.
- **Operare in sicurezza. Operare sempre facendo attenzione a posizionare bene i piedi e a mantenere l'equilibrio.** Ciò permette un migliore controllo dell'elettroutensile in situazioni inattese.
- **Vestirsi in maniera adeguata. Non indossare abiti troppo ampi o gioielli. Tenere capelli e indumenti lontani dalle parti in movimento.** Lasciati liberi, indumenti, gioielli o capelli lunghi possono restare impigliati nelle parti in movimento.
- **Qualora vengano forniti strumenti per il collegamento a strutture di estrazione e raccolta della polvere, accertarsi che queste siano collegate e usate in modo adeguato.** La raccolta della polvere può ridurre i rischi legati alla presenza di questo agente.
- **La familiarità e l'esperienza acquisite con il prodotto non devono far sottovalutare i rischi insiti nell'utilizzo dello stesso. Non ignorare le norme basilari di sicurezza dell'attrezzatura.** Un'azione incauta può provocare gravi danni in una frazione di secondo.

Uso e cura dell'elettroutensile

- **Non forzare l'elettroutensile. Usare l'elettroutensile adatto all'applicazione.** L'elettroutensile giusto farà il lavoro meglio e in modo più sicuro se usato alla velocità per la quale è stato progettato.
- **Non usare l'elettroutensile se non è possibile accenderlo o spegnerlo tramite interruttore.** Qualunque elettroutensile che non possa essere controllato tramite interruttore è pericoloso e deve essere riparato.
- **Scollegare la spina dalla presa di corrente e/o rimuovere la batteria, se staccabile, prima di procedere a qualunque regolazione, cambio di accessori o alla conservazione degli elettroutensili.** Tali misure di sicurezza preventive riducono il rischio di avvio accidentale dell'elettroutensile.
- **Riporre gli elettroutensili fuori dalla portata dei bambini e non permettere l'uso dei suddetti a persone che non hanno familiarità con tali utensili e con queste istruzioni.** Nelle mani di persone inesperte, gli elettroutensili sono pericolosi.
- **Effettuare la manutenzione degli elettroutensili e degli accessori. Controllare che non si verifichi un errato allineamento o collegamento delle parti in movimento, la rottura di pezzi e qualsivoglia altra**

condizione che possa inficiare il funzionamento dell'elettrotensile. Qualora danneggiato, riparare l'elettrotensile prima dell'uso. Molti incidenti sono causati da elettrotensili con una manutenzione inadeguata.

- **Mantenere affilati e puliti gli strumenti da taglio.** Con una manutenzione adeguata, gli strumenti da taglio con bordi affilati risultano più facili da controllare e meno pericolosi.
- **Usare l'elettrotensile, gli accessori, le punte ecc. come indicato dalle presenti istruzioni, tenendo conto delle condizioni di lavoro e della prestazione da effettuare.** L'impiego di elettrotensili per usi diversi da quelli previsti può dar luogo a situazioni di pericolo.
- **Mantenere le impugnature e le superfici di presa asciutte, pulite e prive di olio e grasso.** Le impugnature e le superfici di presa scivolose non consentono una manipolazione e un controllo sicuri dell'utensile in situazioni impreviste.

Assistenza

- **Far riparare l'elettrotensile solo ed esclusivamente da personale specializzato utilizzando solo pezzi di ricambio originali.** Questo garantirà che sia salvaguardata la sicurezza dell'elettrotensile.

Istruzioni di sicurezza generali



AVVERTENZA: leggere le seguenti avvertenze prima di utilizzare il prodotto.

- Questo prodotto è uno strumento pericoloso se non si presta attenzione o se si utilizza il prodotto in modo errato. Il prodotto può causare gravi lesioni o morte dell'operatore o altre persone. Prima di utilizzare il prodotto, è necessario comprendere il contenuto di questo manuale operatore.
- Conservare tutte le avvertenze e le istruzioni.
- Rispettare tutte le leggi e le normative vigenti.
- L'operatore e il datore di lavoro devono conoscere e prevenire i rischi durante il funzionamento del prodotto.
- Non consentire ad altre persone di utilizzare il prodotto se non hanno letto e compreso il contenuto del manuale operatore.
- Non azionare il prodotto a meno che non si riceva la formazione appropriata prima dell'uso. Assicurarsi che tutti gli operatori ricevano la formazione appropriata.
- Non consentire ai bambini di utilizzare il prodotto.
- Consentire l'utilizzo del prodotto solo a persone autorizzate.
- L'operatore è responsabile di eventuali incidenti ad altre persone o dei danni materiali.
- Non utilizzare il prodotto quando si è stanchi, ammalati o sotto effetto di alcool, farmaci o medicinali.

- Usare la massima cautela e il buon senso.
- Durante il funzionamento, questo prodotto genera un campo elettromagnetico. Tale campo può interferire, in alcuni casi, con persone portatrici di impianti medici attivi o passivi. Per ridurre il rischio di lesioni gravi o letali, raccomandiamo alle persone portatrici di impianti medici di consultare il proprio medico e il produttore dell'impianto prima di utilizzare questo prodotto.
- Tenere pulito il prodotto. Assicurarsi che sia possibile leggere chiaramente simboli e decalcomanie.
- Se difettoso, non utilizzare il prodotto.
- Non effettuare modifiche a questo prodotto.
- Non utilizzare mai il prodotto se è possibile che altre persone abbiano apportato modifiche su di esso.

Istruzioni di sicurezza per il funzionamento



AVVERTENZA: Leggere le seguenti avvertenze prima di utilizzare il prodotto.

- Leggere le avvertenze fornite dal costruttore insieme al disco di taglio.
- Collegare il prodotto esclusivamente a un alimentatore protetto da un fusibile o da un interruttore di circuito, massimo 30 A.
- Accertarsi che il prodotto sia montato correttamente.
- Non utilizzare il prodotto senza carter copridisco e i coperchi di protezione correttamente installati e collegati.
- Non utilizzare il prodotto con il carter copridisco sollevato. Il carter copridisco anteriore deve essere abbassato e bloccato e fissato correttamente.
- Un funzionamento non corretto del prodotto può provocare la rottura del disco di taglio e causare lesioni o danni.
- Assicurarsi di saper spegnere il motore rapidamente in caso di emergenza.
- Usare sempre abbigliamento protettivo personale. Fare riferimento a *Abbigliamento protettivo personale alla pagina 189*.
- Accertarsi che solo persone autorizzate siano presenti nell'area di lavoro.
- Accertarsi che i cavi elettrici nell'area di lavoro non siano in tensione.
- Prima di utilizzare il prodotto, verificare se nell'area di lavoro sono presenti fili, cavi e tubi nascosti. Se il prodotto colpisce un oggetto nascosto, arrestare immediatamente il motore ed esaminare il prodotto e l'oggetto. Non iniziare a utilizzare nuovamente il prodotto fino a quando non si è certi che sia sicuro continuare.
- Accertarsi di trovarsi in una posizione sicura e stabile durante il funzionamento.

- Il prodotto può causare l'espulsione di oggetti ad alta velocità. Accertarsi che tutte le persone presenti nell'area di lavoro utilizzino sempre dispositivi di protezione individuale omologati. Rimuovere eventuali oggetti allentati dall'area di lavoro.
- Prima di allontanarsi dal prodotto, arrestare il motore e assicurarsi che non vi sia alcun rischio di avviamento accidentale.
- Non allontanarsi dal prodotto senza aver inserito i freni di stazionamento.
- Prestare la massima attenzione durante il lavoro su terreni in pendenza. Il prodotto ha un peso elevato e può causare gravi lesioni in caso di caduta o se si sposta troppo velocemente.
- Assicurarsi che il materiale non possa cadere provocando lesioni all'operatore.
- Accertarsi che le parti in movimento della macchina non possano agganciare capi di abbigliamento, capelli lunghi o gioielli.
- Non utilizzare il prodotto se non è possibile ricevere soccorso in caso di incidente.
- Quando si riempie il serbatoio dell'acqua, allontanarlo a distanza di sicurezza dal prodotto.
- Usare sempre abbigliamento protettivo personale omologato quando si utilizza il prodotto. L'uso di abbigliamento protettivo personale non elimina il rischio di lesioni, ma ne riduce la gravità in caso di incidente. Farsi consigliare dal rivenditore per la scelta dell'abbigliamento protettivo personale corretto.
- Controllare regolarmente le condizioni dell'abbigliamento protettivo personale.
- Utilizzare un elmetto protettivo omologato.
- Usare cuffie protettive omologate.
- Utilizzare protezione respiratoria omologata.
- Utilizzare una protezione per gli occhi omologata con protezione laterale. È presente un rischio elevato di lesioni agli occhi causate dalla proiezione di oggetti.
- Usare guanti protettivi.
- Utilizzare stivali con calotta di acciaio e suola antiscivolo.
- Utilizzare indumenti da lavoro approvati o indumenti aderenti equivalenti, con maniche e gambe lunghe.

Estintore

- Tenere un estintore a portata di mano durante il funzionamento del prodotto.
- Utilizzare un estintore a polvere o un estintore ad anidride carbonica.

Istruzioni per la messa a terra del prodotto



AVVERTENZA: Il collegamento errato può provocare scosse elettriche. In caso di dubbi sul collegamento a terra del prodotto, rivolgersi a un elettricista certificato.

Non modificare la spina di alimentazione rispetto alle specifiche di fabbrica. Se la spina o il cavo di alimentazione sono danneggiati o devono essere sostituiti, rivolgersi a un'officina autorizzata Husqvarna. Rispettare le norme e le leggi locali.

Se non si comprendono pienamente le istruzioni relative alla messa a terra del prodotto, rivolgersi a un elettricista certificato.

Utilizzare solo cavi di prolunga per esterni dotati di messa a terra con spine e prese di messa a terra conformi al connettore di alimentazione del prodotto.

Il prodotto dispone di cavo e di spina di alimentazione con messa a terra. Collegare sempre il dispositivo a una presa di corrente con messa a terra. Ciò riduce il rischio di scosse elettriche in caso di guasto.

Non utilizzare adattatori elettrici insieme al prodotto.

Abbigliamento protettivo personale



AVVERTENZA: Leggere le seguenti avvertenze prima di utilizzare il prodotto.

Dispositivi di sicurezza sul prodotto

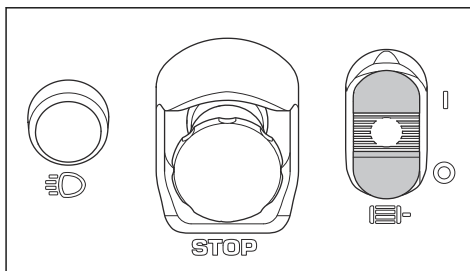


AVVERTENZA: Leggere le seguenti avvertenze prima di utilizzare il prodotto.

- Non utilizzare un prodotto con dispositivi di sicurezza difettosi.
- Effettuare un controllo dei dispositivi di sicurezza con regolarità. Se i dispositivi di sicurezza sono difettosi, rivolgersi alla propria officina Husqvarna.

Pulsante ON e pulsante OFF

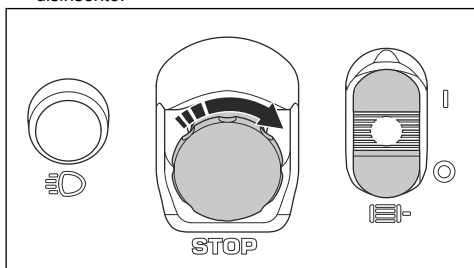
Il pulsante ON (I) e il pulsante OFF (O) vengono utilizzati per avviare e arrestare il motore.



Controllo del pulsante ON e del pulsante OFF

Nota: Se il prodotto non si avvia, vedere *Il prodotto non si avvia alla pagina 205*.

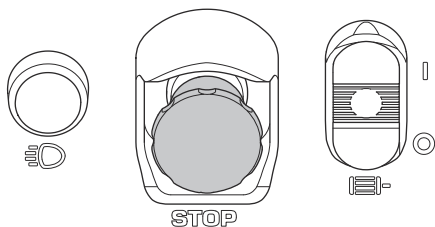
1. Scollegare il prodotto dalla presa di rete.
2. Accertarsi che la lama a disco sia leggermente al di sopra del terreno.
3. Accertarsi che la lama a disco e la flangia della lama siano saldamente fissate e che la protezione lama sia installata correttamente. Fare riferimento a *Installazione del disco di taglio alla pagina 193* e *Installare la protezione della lama alla pagina 195*.
4. Collegare il prodotto con un cavo di prolunga alla presa di rete.
5. Ruotare il pulsante per l'arresto della macchina (STOP) in senso orario per accertarsi che sia disinserito.



6. Premere il pulsante ON/OFF su "I" per avviare il prodotto.
7. Attendere 5 secondi per consentire al prodotto di funzionare al regime corretto.
8. Premere il pulsante ON/OFF su "0" e accertarsi che il motore si arresti.

Pulsante di arresto macchina

Il pulsante di arresto della macchina (STOP) arresta il motore. Il pulsante di arresto della macchina non spegne le luci.

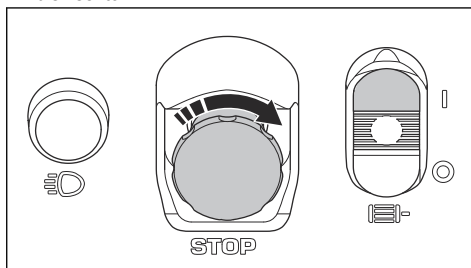


Nota: Non utilizzare il pulsante di arresto della macchina per arrestare il prodotto a meno che non vi sia un'emergenza. Per la procedura corretta di arresto

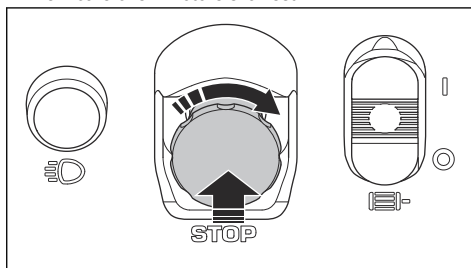
del prodotto durante il funzionamento, vedere *Arresto del prodotto alla pagina 200*.

Controllo del pulsante di arresto della macchina

1. Scollegare il prodotto dalla presa di rete.
2. Accertarsi che la lama a disco sia leggermente al di sopra del terreno.
3. Accertarsi che la lama a disco e la flangia della lama siano saldamente fissate e che la protezione lama sia installata correttamente. Fare riferimento a *Installazione del disco di taglio alla pagina 193* e *Installare la protezione della lama alla pagina 195*.
4. Collegare la spina di alimentazione del prodotto alla presa di rete.
5. Ruotare il pulsante per l'arresto della macchina (STOP) in senso orario per accertarsi che sia disinserito.



6. Premere il pulsante ON/OFF su "I" per avviare il prodotto.
7. Premere il pulsante di arresto della macchina e verificare che il motore si arresti.



8. Ruotare in senso orario il pulsante di arresto della macchina per arrestarla.

Carter copridisco



AVVERTENZA: Non utilizzare il prodotto senza una protezione della lama o con una protezione difettosa. Accertarsi che il carter copridisco sia installato e fissato correttamente, prima di avviare il prodotto.

La protezione lama evita che le parti della lama o il materiale tagliato vengano proiettati verso l'operatore.

Controllo della protezione lama

- Accertarsi che il carter copridisco sia installato e collegato correttamente. Fare riferimento a *Installare la protezione della lama alla pagina 195*.
- Controllare se la protezione lama presenta danni, come ad esempio incrinature.
- Sostituire una protezione lama danneggiata.
- Sostituire la protezione lama se piegata o se presenta altri difetti.

Coperchio della cinghia di trasmissione

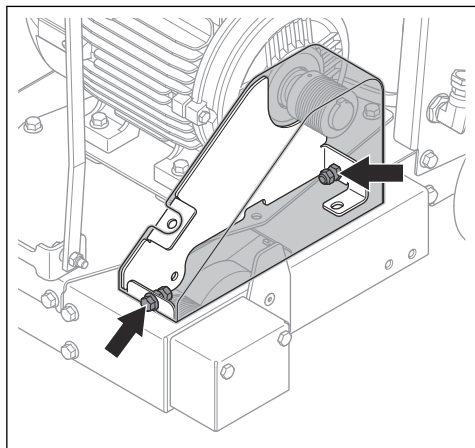


AVVERTENZA: Non utilizzare il prodotto sprovvisto di coperchio della cinghia di trasmissione o con un coperchio difettoso. Accertarsi che il coperchio della cinghia di trasmissione sia installato e fissato correttamente, prima di avviare il prodotto.

Il coperchio della cinghia di trasmissione protegge dalle pulegge e dalla cinghia di trasmissione.

Controllo del coperchio della cinghia di trasmissione

- Accertarsi che il coperchio della cinghia di trasmissione non abbia subito lesioni o incrinature. Sostituire il coperchio della cinghia di trasmissione se necessario.
- Accertarsi che le 2 viti del coperchio della cinghia di trasmissione siano installate e serrate correttamente.



Istruzioni di sicurezza per la manutenzione

- Tenere tutte le parti in buone condizioni e accertarsi che tutti i fissaggi siano serrati correttamente.
- Non utilizzare il prodotto se difettoso. Effettuare i controlli di sicurezza, gli interventi di manutenzione e di servizio come indicato nel presente manuale. Tutti gli altri interventi di manutenzione devono essere affidati a un'officina autorizzata.
- Arrestare il motore e scollegare la presa di alimentazione quando si sostituiscono gli utensili diamantati.
- Effettuare l'ispezione e/o la manutenzione con il motore spento e la spina di alimentazione scollegata.
- Effettuare una manutenzione regolare per assicurare il corretto funzionamento del prodotto. Fare riferimento a *Programma di manutenzione alla pagina 203*.

Utilizzo

Introduzione



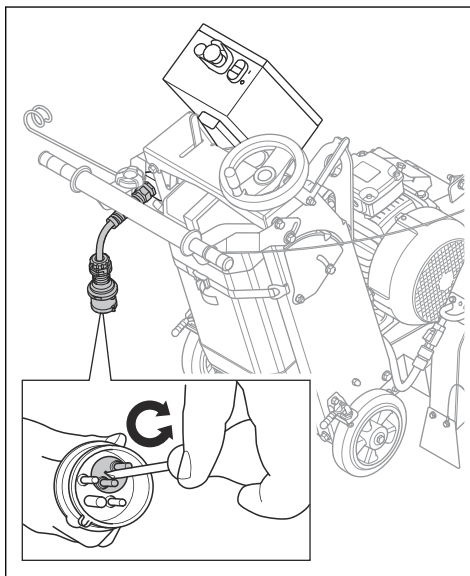
AVVERTENZA: Leggere e comprendere il capitolo sulla sicurezza prima di utilizzare la macchina.



ATTENZIONE: Non utilizzare una prolunga più lunga di 25 m e inferiore a 2,5 mm².

- Leggere il manuale dell'operatore con attenzione e accertarsi di averne compreso il contenuto.
- Leggere le istruzioni fornite dal costruttore insieme al disco di taglio.
- Prima di ogni utilizzo del prodotto, procedere come segue:
 - a) Eseguire la manutenzione giornaliera. Fare riferimento a *Programma di manutenzione alla pagina 203*.
 - b) Tracciare delle linee guida per tutti i tagli. Preparare con attenzione la sequenza per evitare lesioni e danni.
 - c) Accertarsi che il disco di taglio e la protezione lama siano installati correttamente. Fare riferimento a *Installazione del disco di taglio alla pagina 193* e *Installare la protezione della lama alla pagina 195*.
 - d) Regolare l'impugnatura in una posizione di lavoro pertinente. Fare riferimento a *Regolazione dell'altezza dell'impugnatura alla pagina 193*.
 - e) Rabboccare il serbatoio d'acqua o collegare l'alimentazione esterna dell'acqua. Fare riferimento a *Rifornimento del serbatoio dell'acqua alla pagina 198* e *Collegamento dell'alimentazione idrica esterna alla pagina 199*.
 - f) Accertarsi che il tubo dell'acqua nella protezione lama sia aperto. Ciascun lato del disco di taglio deve disporre di una quantità di acqua sufficiente.
 - g) Accertarsi che la rotella sia allineata con il disco di taglio. Fare riferimento a *Allineamento della rotella con il disco di taglio alla pagina 197*.
 - h) Collegare la spina di alimentazione del prodotto a una prolunga e poi alla presa di rete.

- i) In alcune condizioni è necessario invertire le fasi. Fare riferimento a *Indicatore di errore alla pagina 206*.



- j) Ruotare il pulsante di arresto della macchina in senso orario per accertarsi che il pulsante non sia inserito.

Dischi di taglio



AVVERTENZA: Non utilizzare un disco di taglio destinato a materiali diversi da quelli per cui è stato realizzato.



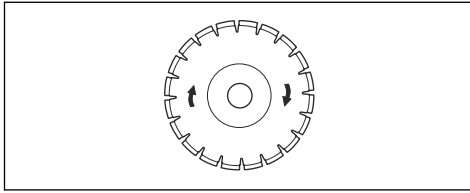
AVVERTENZA: Utilizzare solo lame diamantate per il taglio a umido. La lama diamantata deve essere applicata alla stessa velocità o a una velocità superiore al valore indicato sulla piastrina modello del prodotto. Utilizzare solo lame diamantate conformi agli standard nazionali o regionali, come ad esempio EN13236 o ANSI B7.1.

Il costruttore del disco di taglio fornisce avvertenze e raccomandazioni relative all'utilizzo e alla corretta manutenzione del disco di taglio. Tali avvertenze sono fornite nella confezione del disco di taglio.

Dischi diamantati



AVVERTENZA: Assicurarsi che la direzione di rotazione della lama a disco diamantata mostrata sulla lama stessa sia allineata con la direzione di rotazione indicata sul prodotto.



ATTENZIONE: Usare sempre un disco diamantato ben affilato.

È disponibile un'ampia gamma di lame diamantate che vengono utilizzate per varie operazioni. Dal calcestruzzo nuovo al calcestruzzo e all'asfalto induriti e per diverse classi di durezza.

Le lame diamantate sono dotate di un nucleo in acciaio con segmenti realizzati con diamanti industriali.

Sistema di raffreddamento ad acqua

Utilizzare sempre dell'acqua durante il funzionamento per mantenere bassa la temperatura delle lame diamantate. Il sistema di raffreddamento ad acqua aumenta inoltre la durata delle lame diamantate e impedisce l'accumulo di polvere.

Accertarsi che l'erogazione dell'acqua non sia ostruita.

Dischi diamantati per il taglio a umido



AVVERTENZA: Utilizzare sempre una flangia della lama delle dimensioni specificate. Non utilizzare flange della lama danneggiate.

Durante il funzionamento, l'attrito fa sì che la lama diamantata si surriscaldi. Se la lama diamantata diventa troppo calda, diminuisce la tensione della lama o causa l'incrinatura del nucleo.

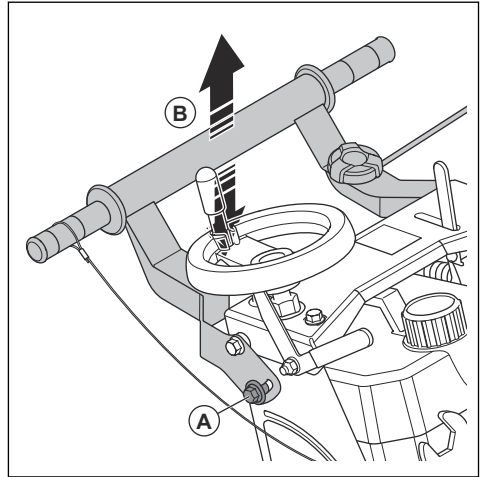
Lasciare raffreddare la lama diamantata prima di toccarla.

- Le lame diamantate per il taglio a umido devono essere utilizzate con dell'acqua per mantenere freddi il nucleo e i segmenti durante il taglio. Le lame diamantate per il taglio a umido non possono essere usate a secco.
- Se si utilizzano lame diamantate per il taglio a umido senza acqua, la lama diamantata può surriscaldarsi. Ciò comporta scarse prestazioni, danni alla lama e rappresenta un rischio per la sicurezza.

Regolazione dell'altezza dell'impugnatura

L'impugnatura può essere regolata all'altezza corretta.

1. Allentare le viti (A) su ciascun lato del prodotto.



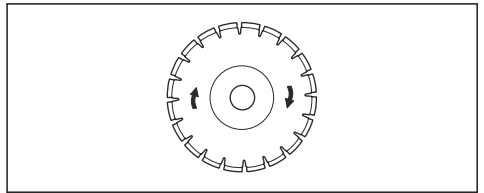
2. Impostare la posizione per l'altezza di lavoro necessaria (B).
3. Serrare le viti (A).

Installazione del disco di taglio

La lama a disco può essere installata sul lato destro e sinistro del prodotto.



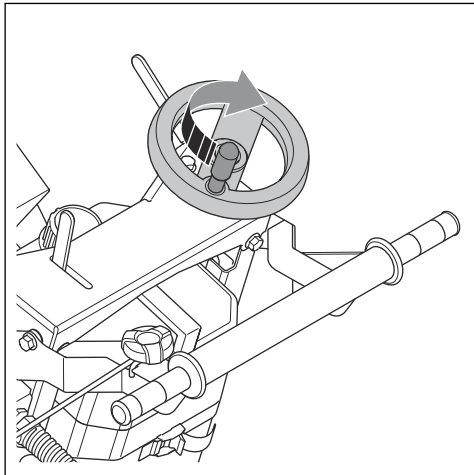
ATTENZIONE: Rischio di danni alla lama a disco se installata in senso opposto al senso di rotazione. Accertarsi che il disco di taglio ruoti nella direzione delle frecce mostrate sullo stesso.



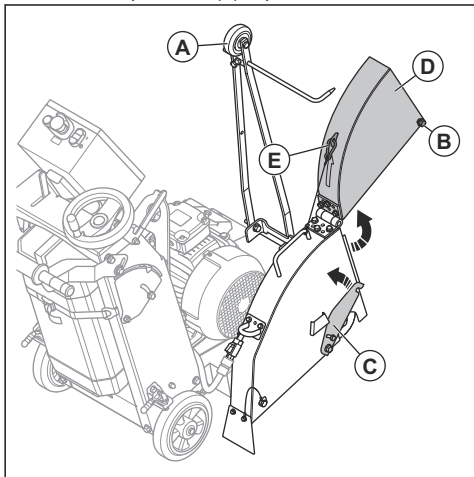
Nota: La leva della rotella della profondità di taglio deve sempre essere bloccata quando tale rotella non è in uso.

1. Arrestare il motore e scollegare il prodotto dalla rete elettrica.

2. Girare la rotella della profondità di taglio in senso orario per alzare completamente la lama a disco. Spingere la leva per bloccare la rotella della profondità di taglio.

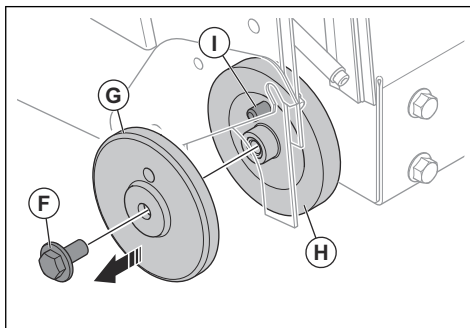


3. La protezione lama deve essere installata sullo stesso lato del prodotto della lama a disco. Se la protezione lama non è installata sul lato corretto, fare riferimento a *Installare la protezione della lama alla pagina 195*.
4. Sollevare il puntatore (A) in posizione verticale.



5. Allentare il bullone anteriore (B) sulla protezione lama e sollevare il dispositivo di chiusura (C) della protezione lama.
6. Sollevare la parte anteriore della protezione lama (D).
7. Bloccare la protezione lama in posizione verticale con il filo e il moschettone (e).

8. Rimuovere la vite della lama (F) con la chiave e la controchiave in dotazione.



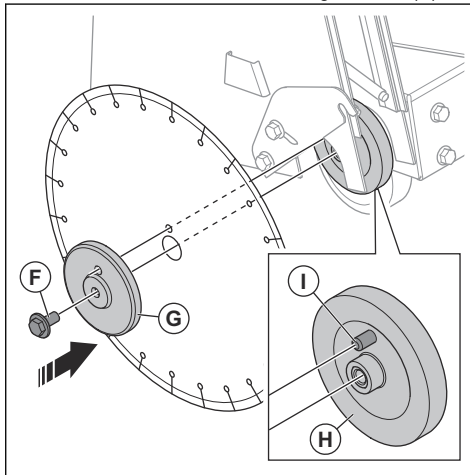
Nota: La vite della lama sul lato destro del prodotto ha una filettatura sinistra. La vite della lama sul lato sinistro del prodotto ha una filettatura destra.

9. Rimuovere la flangia della lama (G).



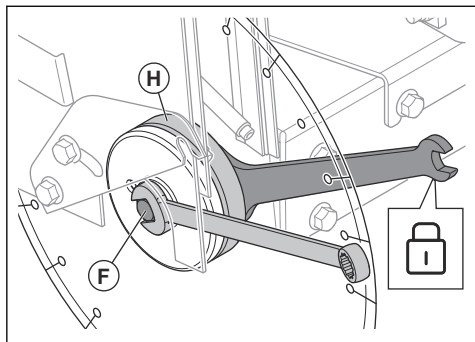
AVVERTENZA: Parti danneggiate o sporche possono impedire il corretto montaggio del disco di taglio. Esaminare la vite della lama (F), la flangia della lama (G), la flangia interna (H) e la spina di bloccaggio (i) per verificare che non siano danneggiati. Sostituire le parti usurate o danneggiate. Pulire le superfici di contatto del disco di taglio e le flange. Pulire le filettature della vite della lama e della flangia interna.

10. Installare la lama a disco sulla flangia interna (H).

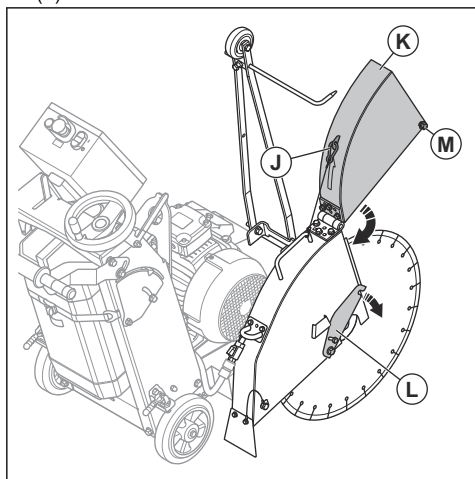


11. Installare la flangia della lama (G) e la vite della lama (F). Assicurarsi che la spina di bloccaggio (I) sulla flangia interna passi attraverso la lama a disco e nella flangia della lama (G).

12. Tenere e spingere la lama di taglio nella direzione di rotazione inversa. Contemporaneamente, serrare la vite della lama (F) con la chiave in dotazione.
13. Bloccare la flangia interna (H) con la chiave in dotazione e serrare la vite della lama (F) con l'altra chiave in dotazione.



14. Serrare la vite della lama (F) a 100 Nm/74 ft lbs.
15. Sbloccare la protezione lama dal moschettone (J) e abbassare la parte anteriore della protezione lama (K).



16. Posizionare il fermo della protezione lama (L) sul bullone anteriore della protezione lama. Serrare il bullone anteriore (M) della protezione lama.



ATTENZIONE: Non azionare il prodotto senza aver abbassato il carter copridisco anteriore e aver inserito il dispositivo di chiusura. Non utilizzare il prodotto se le parti sono danneggiate

17. Assicurarsi che la vite della lama sul lato opposto del prodotto sia serrata.
18. Avviare il prodotto. Fare riferimento a *Avviamento del prodotto alla pagina 199*.

19. Verificare la presenza di suoni anomali. Se si avvertono rumori insoliti, rimuovere il disco di taglio.
 - a) Esaminare il disco di taglio per verificare la presenza di eventuali danni.
 - b) Montare nuovamente il disco di taglio. Se danneggiato, sostituire il disco di taglio.

Rimozione del disco di taglio



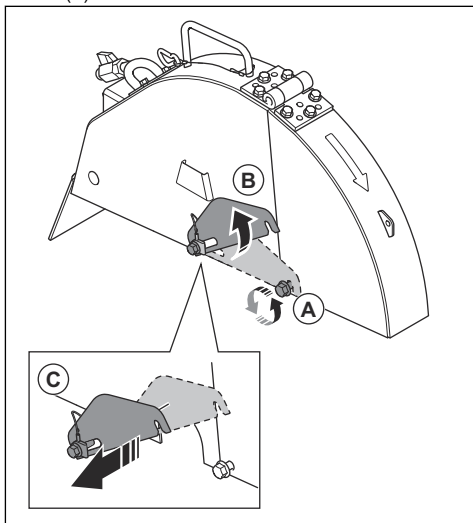
AVVERTENZA: Quando si rimuovono le lame diamantate, lasciare che il prodotto si raffreddi e indossare guanti protettivi. Dopo l'uso, le lame diamantate sono molto calde.

- Rimuovere il disco di taglio nella sequenza opposta a quella di installazione. Vedere *Installazione del disco di taglio alla pagina 193*.

Installare la protezione della lama

La protezione lama deve essere installata sullo stesso lato del prodotto della lama a disco. Se necessario, spostare il fermo della protezione lama sul lato corretto della protezione lama.

1. Se il fermo della protezione lama non è installato sul lato corretto della protezione lama, eseguire la procedura qui descritta.
 - a) Allentare le 2 viti sul coperchio della flangia e rimuovere tale coperchio.
 - b) Allentare il bullone anteriore (A) sulla protezione lama e sollevare il fermo della protezione lama (B).



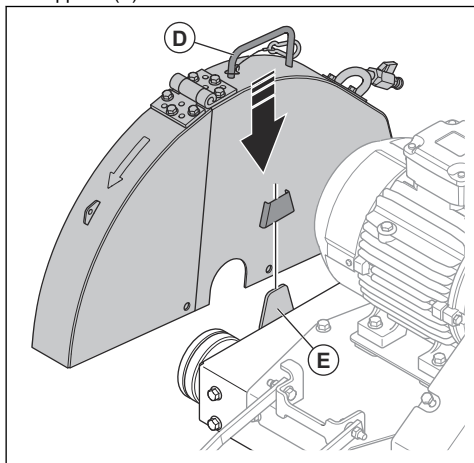
- c) Rimuovere il bullone posteriore e il fermo della protezione lama (C).

2. Spostare il fermo della protezione lama sul lato opposto della protezione lama. Eseguire la procedura descritta di seguito.
 - a) Montare il fermo della protezione lama e serrare il bullone posteriore.
 - b) Posizionare il fermo della protezione lama sul bullone anteriore della protezione lama. Serrare il bullone anteriore (A).

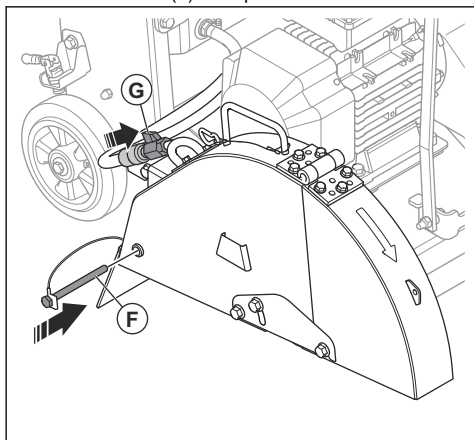


ATTENZIONE: Non utilizzare il prodotto senza il fermo della protezione lama inserito. Non utilizzare il prodotto se le parti sono danneggiate.

3. Utilizzare l'impugnatura (D) per sollevare la protezione lama e installare la protezione sul supporto (E).

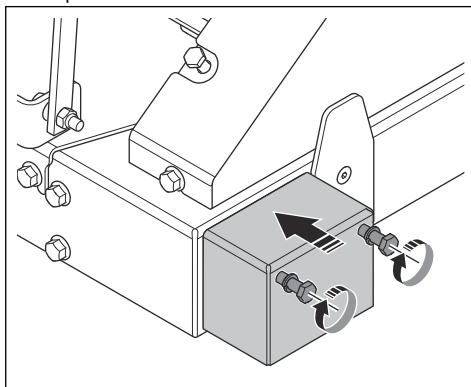


4. Installare la vite (F) della protezione lama.



5. Collegare il flessibile dell'acqua (G).

6. Montare il coperchio della flangia sul lato opposto del prodotto e serrare le 2 viti.



Rimuovere la protezione della lama

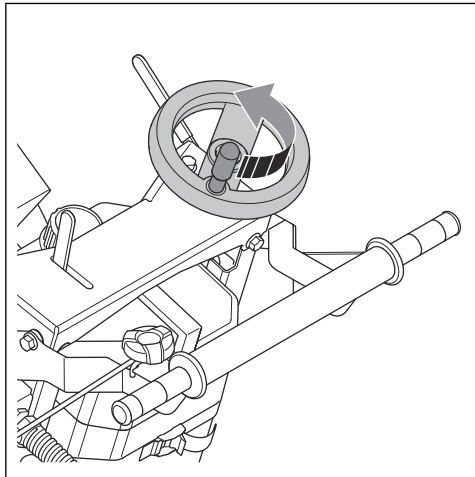
1. Arrestare il motore. Fare riferimento a *Arresto del prodotto alla pagina 200*.
2. Rimuovere la protezione lama nella sequenza opposta a quella di installazione. Fare riferimento a *Installare la protezione della lama alla pagina 195*.

Impostazione dell'indicatore di profondità di taglio

L'indicatore deve essere calibrato prima di utilizzare il prodotto.

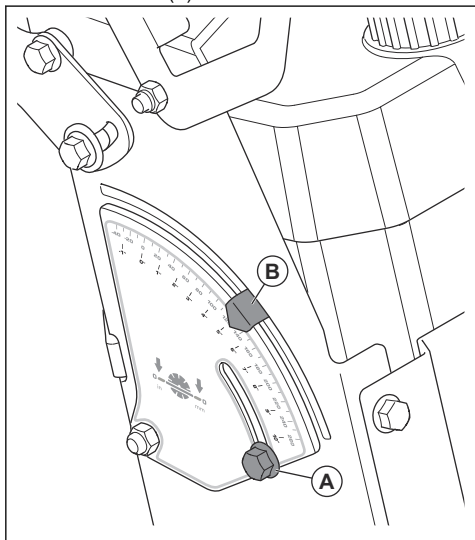
Nota: La leva della rotella della profondità di taglio deve sempre essere bloccata quando tale rotella non è in uso.

1. Girare la rotella della profondità di taglio fino a quando il disco di taglio non tocca leggermente il terreno. Spingere la leva per bloccare la rotella della profondità di taglio.



ATTENZIONE: Non abbassare troppo rapidamente il disco di taglio. Se il disco di taglio colpisce la superficie con forza, può danneggiarsi.

2. Allentare la vite (A).



3. Ruotare la piastra dell'indicatore fino a quando la posizione "0" non si trova al centro della freccia (B).
4. Serrare la vite (A).

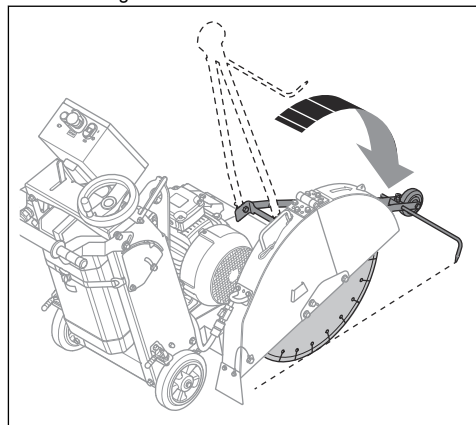


ATTENZIONE: Controllare sempre che la profondità di taglio sia corretta. L'indicatore consente di ottenere la corretta profondità di taglio, ma fornisce solo un'indicazione del valore della profondità.

Allineamento della rotella con il disco di taglio

Nota: La rotella deve essere allineata con il disco di taglio.

1. Posizionare la flangia interna lungo una linea.
2. Abbassare la rotella e allineare il prodotto ai contrassegni.



3. Allineare la rotella con la linea.
4. Se necessario, regolare la rotella fino a quando non è allineata con la linea.

Tecniche di lavoro principali



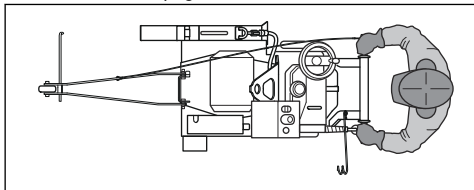
AVVERTENZA: L'albero della lama ruota all'avviamento del motore.

- Accertarsi di poter premere sempre il pulsante di arresto della macchina durante il funzionamento.
- Accertarsi che utensili o altri oggetti non siano rimasti sul prodotto.
- Mantenere il controllo del prodotto a motore avviato.
- Accertarsi che la protezione lama sia fissata correttamente, prima di avviare il prodotto. Non effettuare il taglio senza la protezione lama.
- Prima dell'avviamento, tracciare delle linee guida per tutti i tagli. Accertarsi che non vi siano rischi per l'operatore o per il prodotto.
- Non girare, ruotare o spostare il prodotto da un lato all'altro mentre il disco di taglio ruota.

- Accertarsi che vi sia sempre un'altra persona nelle vicinanze quando si utilizza il prodotto. Se si verifica un incidente, è possibile ottenere assistenza da tale persona.
- Non allontanarsi dal prodotto senza aver inserito i freni di stazionamento.

Uso della tecnica di lavoro corretta

- Tenersi a distanza dal percorso della lama mentre il motore è acceso. La posizione corretta dell'operatore è dietro le impugnature con entrambe le mani sulle impugnature.



- Esaminare frequentemente il disco di taglio per verificare l'eventuale presenza di incrinature e parti rotte durante la giornata di lavoro. Non utilizzare un disco di taglio danneggiato.



AVVERTENZA: Arrestare il motore e scollegare la presa di alimentazione prima di esaminare la lama a disco.

- Non affilare con il lato del disco di taglio. Il disco di taglio può rompersi e causare lesioni all'operatore o alle persone nelle vicinanze. Usare solo il bordo tagliente.
- Non piegare o girare il disco di taglio nel taglio.
- Assicurarsi che il disco di taglio si muova liberamente e non si incastri nel taglio.

Alimentazione dell'acqua

Durante il funzionamento, la lama a disco deve disporre di una quantità sufficiente di acqua. Utilizzare acqua dal serbatoio sul prodotto o da un tubo dell'acqua esterno. Fare riferimento a *Rifornimento del serbatoio dell'acqua alla pagina 198* e *Collegamento dell'alimentazione idrica esterna alla pagina 199*.

Rifornimento del serbatoio dell'acqua

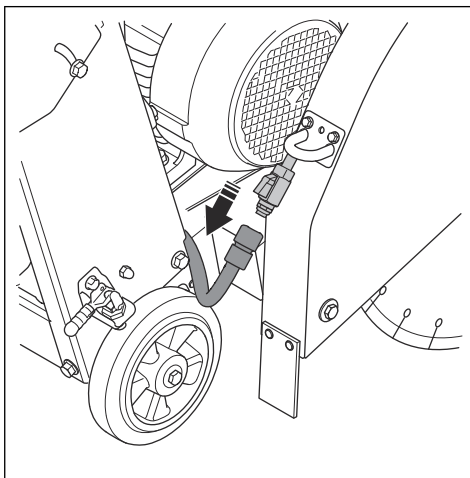


AVVERTENZA: Versare solo acqua nel serbatoio. Non versare altri liquidi nel serbatoio d'acqua.

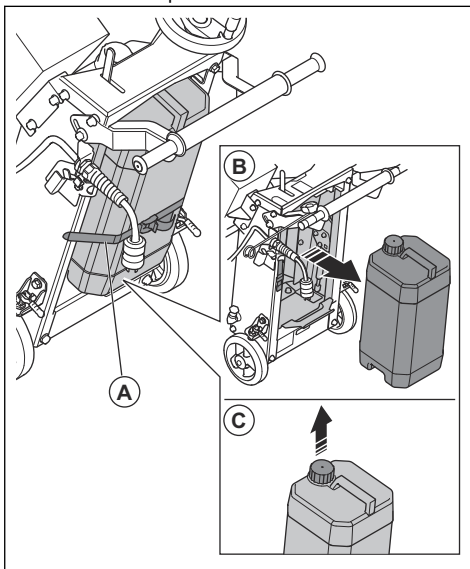


AVVERTENZA: Quando si ruota il rubinetto dell'acqua per regolare la portata dell'acqua, assicurarsi che la lama a disco sia leggermente al di sopra del pavimento.

1. Chiudere il rubinetto dell'acqua e scollegare il tubo flessibile.

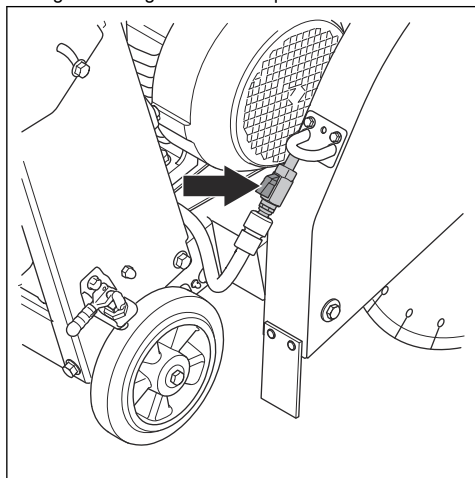


2. Rimuovere la cinghia (A) del serbatoio d'acqua e il serbatoio d'acqua (B). Non versare acqua sul prodotto. Allontanare il serbatoio d'acqua a distanza di sicurezza dal prodotto.



3. Rimuovere il coperchio del serbatoio d'acqua (C) e riempirlo con acqua.
4. Installare il coperchio del serbatoio d'acqua.
5. Installare il serbatoio d'acqua.
6. Montare la cinghia del serbatoio d'acqua e collegare il flessibile dell'acqua.

7. Ruotare il rubinetto sulla protezione lama per regolare l'erogazione dell'acqua.

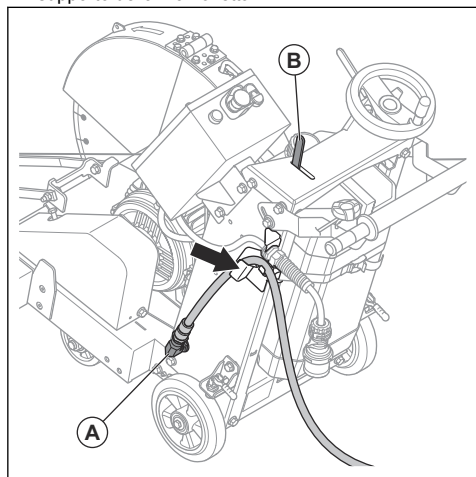


Collegamento dell'alimentazione idrica esterna

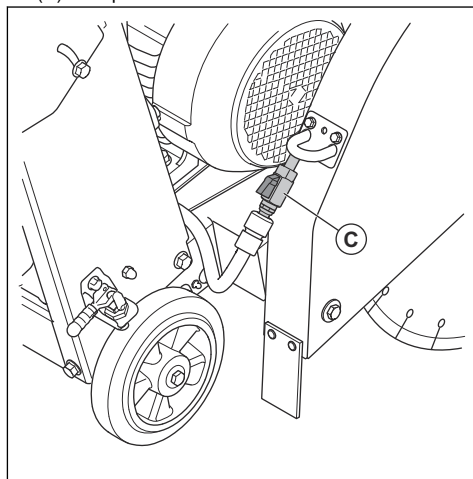


AVVERTENZA: Quando si ruota il rubinetto dell'acqua per regolare la portata dell'acqua, assicurarsi che la lama a disco sia leggermente al di sopra del pavimento.

1. Collegare un flessibile dell'acqua esterno all'ingresso dell'acqua (A). Inserire il tubo dell'acqua esterno nel supporto della manichetta.



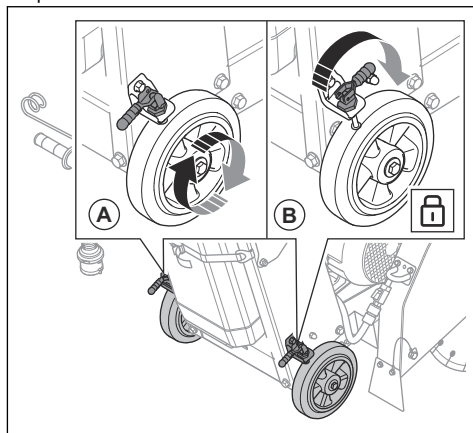
2. Per avviare o arrestare il flusso d'acqua, premere la valvola dell'acqua (B) o ruotare il rubinetto dell'acqua (C) sulla protezione lama.



3. Per regolare l'erogazione dell'acqua, spingere la valvola dell'acqua o ruotare il rubinetto dell'acqua sulla protezione lama.

Inserimento e disinserimento dei freni di stazionamento

1. Disinserire i freni di stazionamento (A) per spostare il prodotto.



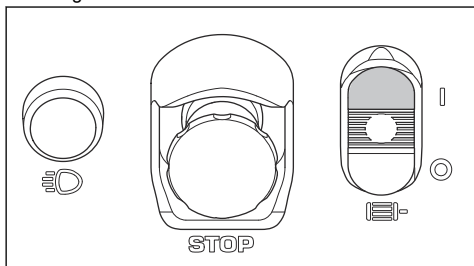
2. Inserire i freni di stazionamento (B) per mantenere il prodotto in posizione.

Avviamento del prodotto



AVVERTENZA: Accertarsi che la lama a disco sia leggermente al di sopra del terreno.

- Premere il pulsante ON/OFF su "I" per avviare il prodotto. In meno di 5 secondi il prodotto funzionerà al regime corretto.



Arresto

Nota: La leva della rotella della profondità di taglio deve sempre essere bloccata quando tale rotella non è in uso.

1. Tirare la leva per sbloccare la rotella della profondità di taglio.
2. Girare la rotella della profondità di taglio in senso orario fino a quando la lama a disco non si trova leggermente al di sopra del terreno.
3. Spingere la leva per bloccare la rotella della profondità di taglio.
4. Ruotare il rubinetto dell'acqua o spingere la valvola dell'acqua per arrestare l'erogazione dell'acqua. Fare riferimento a *Collegamento dell'alimentazione idrica esterna alla pagina 199*.

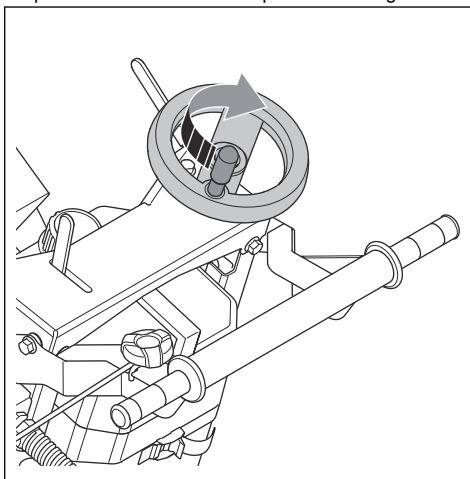
Arresto del prodotto



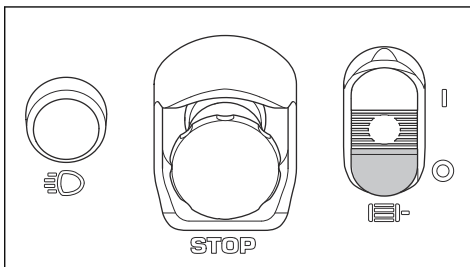
AVVERTENZA: Il disco di taglio ruota per alcuni secondi dopo l'arresto del motore.

Nota: La leva della rotella della profondità di taglio deve sempre essere bloccata quando tale rotella non è in uso.

1. Girare la rotella della profondità di taglio in senso orario per alzare la lama a disco. Spingere la leva per bloccare la rotella della profondità di taglio.



2. Premere il pulsante ON/OFF su "0" per arrestare il motore.



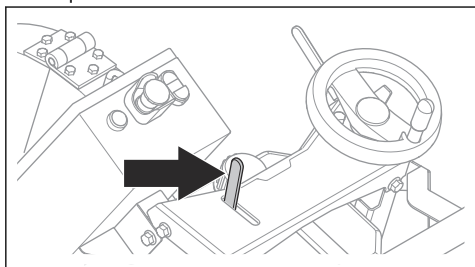
3. Inserire i freni di stazionamento.
4. Scollegare la presa di alimentazione.

Taglio della superficie

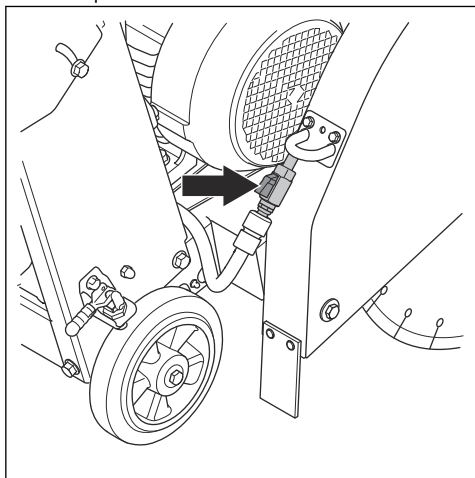
Nota: La leva della rotella della profondità di taglio deve sempre essere bloccata quando tale rotella non è in uso.

1. Allineare la lama a disco con i contrassegni sul terreno o sul taglio guida.

2. Se si utilizza un tubo dell'acqua esterno, spingere la valvola dell'acqua per far entrare o per arrestare l'acqua.

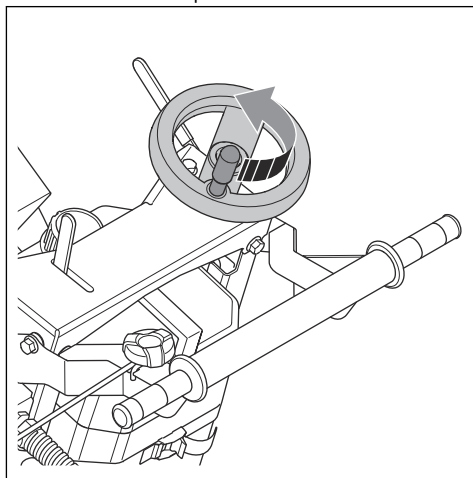


3. Ruotare il rubinetto per regolare l'erogazione dell'acqua.

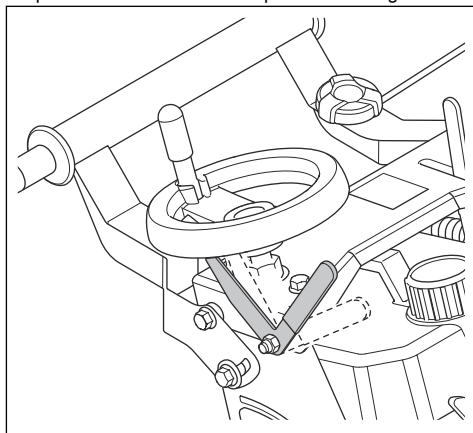


4. Controllare l'erogazione dell'acqua. Se necessario, regolare l'erogazione dell'acqua.
5. Avviare il motore. Fare riferimento a *Avviamento del prodotto alla pagina 199*.

6. Girare lentamente la rotella della profondità di taglio in senso antiorario per abbassare la lama a disco.



7. Effettuare un taglio guida, circa 20-30 mm.
8. Effettuare un taglio con incrementi di 50 mm fino a ottenere la profondità necessaria. Spingere la leva per bloccare la rotella della profondità di taglio.



9. Regolare l'erogazione dell'acqua quando si utilizza il prodotto. Ciascun lato della lama a disco deve disporre di una quantità di acqua sufficiente per un corretto raffreddamento. L'acqua evita inoltre l'accumulo di polvere.
10. Tagliare solo lungo una linea, allineare la lama a disco con i contrassegni.
11. Spingere lentamente il prodotto in avanti e accertarsi che il puntatore e la lama a disco siano allineati con i contrassegni.



ATTENZIONE: Non spostare il prodotto da un lato all'altro per allineare il disco di taglio con i contrassegni.

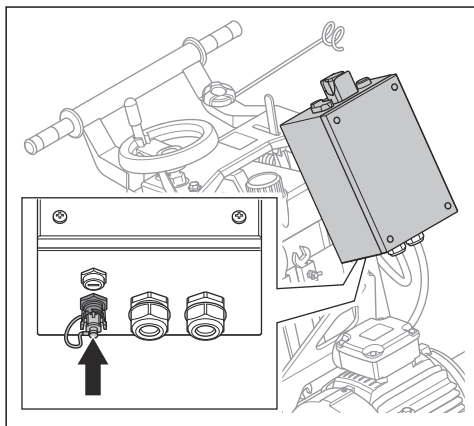
Azionamento del kit luce

Il kit luce è un accessorio. Utilizzare la presa da 24 V per la luce di lavoro solo per i kit luce approvati Husqvarna.

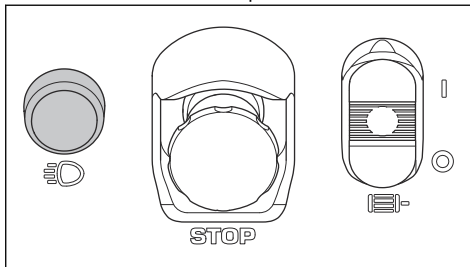


AVVERTENZA: Non guardare direttamente il raggio.

1. Montare il kit luce sull'uscita da 24 V della luce di lavoro.



2. Premere l'interruttore luci per accendere il kit luce.



3. Premere nuovamente l'interruttore luci per spegnere il kit luce.

Manutenzione

Introduzione



AVVERTENZA: Leggere attentamente il capitolo sulla sicurezza prima di eseguire la manutenzione del prodotto.

Per tutti gli interventi di assistenza e riparazione sul prodotto, è necessaria una formazione specifica. Garantiamo la disponibilità per riparazioni e assistenza professionali. Se non avete acquistato il prodotto presso un rivenditore dotato di officina, informatevi sull'ubicazione della più vicina officina autorizzata.

Per le parti di ricambio, rivolgersi Husqvarna al proprio concessionario o all'addetto all'assistenza.

Operazioni da effettuare prima della manutenzione

- Parcheggiare il prodotto su una superficie piana e arrestare il motore. Premere il pulsante di arresto della macchina sul pannello di comando per evitare l'avviamento accidentale durante la manutenzione.
- Assicurarsi che il prodotto non possa muoversi durante la manutenzione. Inserire i freni di stazionamento e posizionare dei cunei dietro e davanti alle ruote.
- Staccare sempre la spina dalla presa di rete prima di procedere alla pulizia, alla manutenzione o al montaggio del prodotto.
- Pulire l'area circostante il prodotto da olio e sporizia. Rimuovere eventuali oggetti indesiderati.
- Apporre una segnaletica chiara intorno all'area di manutenzione per avvisare che è in corso un intervento di manutenzione.
- Tenere a portata di mano estintori, medicine e un telefono di emergenza.

Programma di manutenzione

Manutenzione	Giornaliera	Una volta al mese
Pulire le superfici esterne del prodotto con acqua. Fare riferimento a <i>Per pulire il prodotto alla pagina 203</i> .	X	
Effettuare un'ispezione generale. Fare riferimento a <i>Ispezione generale alla pagina 204</i> .	X	
Controllare la cinghia di trasmissione. Se necessario, regolare la tensione della cinghia di trasmissione. Fare riferimento a <i>Regolazione del tensionamento della cinghia di trasmissione alla pagina 204</i> .	X	
Controllare il pulsante di arresto della macchina. Fare riferimento a <i>Controllo del pulsante di arresto della macchina alla pagina 190</i> .	X	
Eseguire un controllo del pulsante ON e del pulsante OFF. Fare riferimento a <i>Controllo del pulsante ON e del pulsante OFF alla pagina 190</i> .	X	
Controllare l'erogazione dell'acqua. Se il flusso dell'acqua non è sufficiente, controllare il filtro dell'acqua. Se necessario, pulire il filtro dell'acqua. Fare riferimento a <i>Pulizia del filtro dell'acqua alla pagina 203</i> .	X	
Controllare le protezioni lama. Fare riferimento a <i>Controllo della protezione lama alla pagina 191</i> .	X	
Controllare il disco di taglio. Fare riferimento a <i>Dischi di taglio alla pagina 192</i> .	X	
Lubrificare le boccole e la leva per la regolazione della profondità di taglio. Fare riferimento a <i>Lubrificazione del prodotto alla pagina 204</i> .	X	
Lubrificare il dado sulla piastra della cinghia di trasmissione e sull'asse. Fare riferimento a <i>Lubrificazione del prodotto alla pagina 204</i> .		X

Per pulire il prodotto



AVVERTENZA: Utilizzare occhiali protettivi. Quando si pulisce il prodotto, sporcizia e materiali dannosi possono fuoriuscire dal prodotto.



ATTENZIONE: Una presa d'aria ostruita riduce le prestazioni del prodotto e può causare il surriscaldamento del motore.

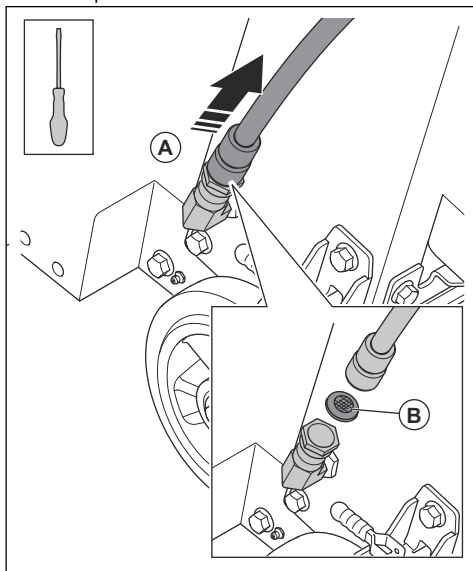
- Lasciare raffreddare il prodotto prima di pulirlo.
- Non pulire i componenti elettrici con l'acqua.
- Utilizzare un detergente delicato. Indossare guanti protettivi per evitare l'irritazione della pelle.
- Pulire sempre tutta l'attrezzatura alla fine della giornata lavorativa. Non utilizzare una lancia ad alta pressione per pulire il prodotto.
- Rimuovere le ostruzioni da tutte le aperture per l'aria.

Pulizia del filtro dell'acqua



ATTENZIONE: Un filtro dell'acqua ostruito riduce il flusso di acqua verso la lama a disco e può surriscaldarsi.

1. Disinserire il tubo esterno (A) dall'ingresso dell'acqua.



2. Rimuovere il filtro dell'acqua (B) con un cacciavite piatto.
3. Controllare il filtro dell'acqua. Se necessario, pulire il filtro dell'acqua.
4. Montare il filtro dell'acqua e collegare il tubo flessibile esterno.

Ispezione generale

- Controllare che tutti i dadi e le viti del prodotto siano ben serrati.
- Accertarsi che i cavi del prodotto non siano in una posizione in cui possono danneggiarsi.
- Controllare la presenza di eventuali danni alle parti elettriche. Non utilizzare un prodotto con parti elettriche danneggiate.
- Controllare i flessibili dell'acqua per verificare che non presentino perdite. Non utilizzare un prodotto con flessibili dell'acqua danneggiati.

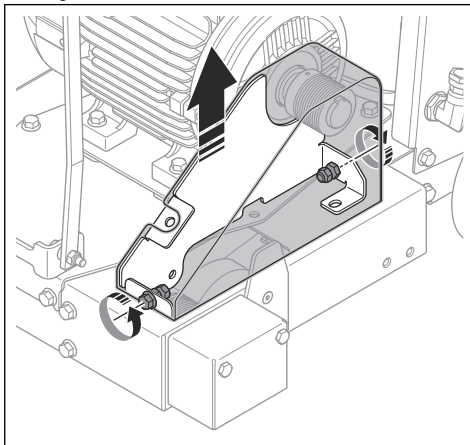
Regolazione del tensionamento della cinghia di trasmissione



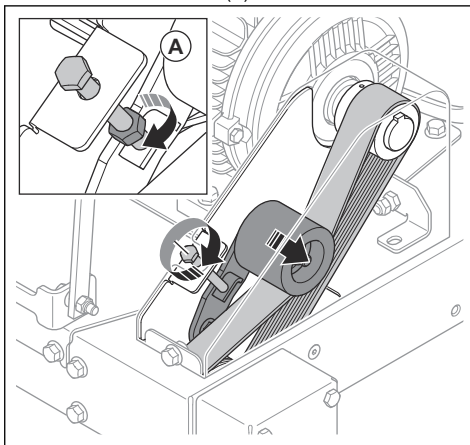
ATTENZIONE: Accertarsi che la cinghia di trasmissione non sia danneggiata.

La tensione di una cinghia di trasmissione nuova deve essere regolata dopo 2 ore.

1. Allentare le 2 viti e rimuovere il coperchio della cinghia di trasmissione.



2. Allentare il controdado (A).



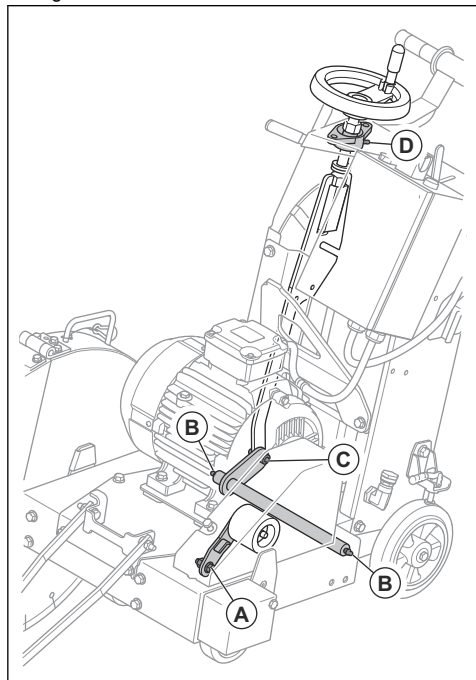
3. Ruotare la vite di tensionamento per regolare la pressione della puleggia contro la cinghia di trasmissione. La tensione della cinghia di trasmissione è corretta quando la frequenza della cinghia di trasmissione rientra nell'intervallo indicato in *Dati tecnici alla pagina 207*.
4. Serrare il controdado.
5. Montare il coperchio della cinghia di trasmissione e serrare le 2 viti.

Lubrificazione del prodotto

Nota: La leva della rotella della profondità di taglio deve sempre essere bloccata quando tale rotella non è in uso.

Lubrificare i seguenti componenti. Lubrificare fino a quando il grasso non è visibile sui bordi. Per informazioni sul grasso idoneo, vedere *Dati tecnici alla pagina 207*.

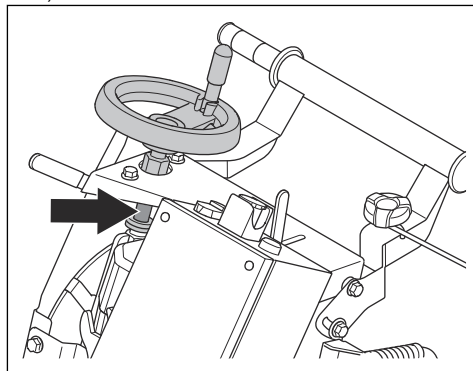
1. Collegare la siringa all'ingrassatore.
2. Lubrificare la boccola (a) in corrispondenza della piastra della cinghia di trasmissione con un pennello.
3. Lubrificare le boccole (B) sul lato sinistro e sul lato destro del prodotto. Utilizzare una pistola ingrassatrice.



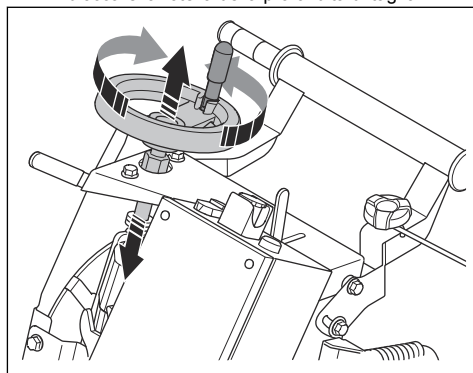
4. Lubrificare l'asse (C) con un pennello.

5. Lubrificare i punti di lubrificazione della leva per la regolazione della profondità di taglio (D). Utilizzare una pistola ingrassatrice.

- a) Lubrificare l'asse sotto al dado.



- b) Ruotare la rotella della profondità di taglio in senso orario e di nuovo in senso antiorario e lubrificare in modo uniforme. Spingere la leva per bloccare la rotella della profondità di taglio.



Ricerca guasti

Il prodotto non si avvia

- Assicurarsi che l'alimentatore e il cavo di alimentazione non siano danneggiati.
- Esaminare il pulsante di arresto della macchina, ruotare il pulsante in senso orario per rilasciare il pulsante di arresto della macchina.
- Esaminare l'indicatore di errore. Fare riferimento a *Indicatore di errore alla pagina 206*.

Il prodotto si arresta improvvisamente

- Se il carico di lavoro è troppo elevato per il prodotto, la protezione del motore si innesta e arresta il

motore. Fare riferimento a *Indicatore di errore alla pagina 206*.

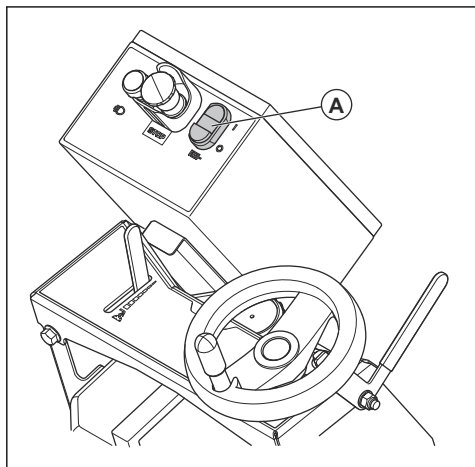
Il prodotto si arresta durante l'avviamento

Per prestazioni ottimali del motore, è necessaria un'alimentazione con la tensione adeguata. Cavi di prolunga troppo lunghi o troppo deboli riducono la potenza del motore durante il funzionamento.

- Se il carico di lavoro è troppo elevato per il prodotto, la protezione dal sovraccarico interviene e arresta il motore. Fare riferimento a *Indicatore di errore alla pagina 206*.

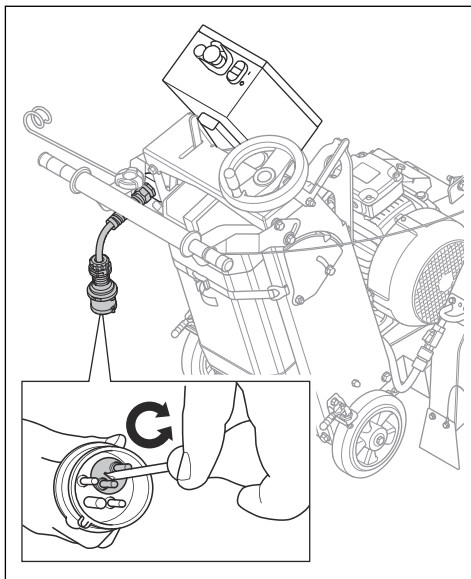
- Accertarsi che i cavi di prolunga non siano troppo lunghi o troppo deboli. Provare ad avviare nuovamente il prodotto.
- Accertarsi che la lama a disco possa ruotare liberamente.
- Se il prodotto continua ad arrestarsi durante l'avviamento, rivolgersi a un'officina di assistenza autorizzata.

Indicatore di errore



L'indicatore di errore (A) si accende in queste situazioni:

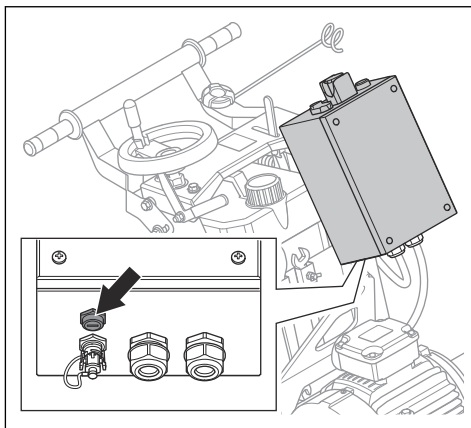
- Il motore è stato sovraccaricato. Il motore si arresta.
- Si è verificato un errore di fase. È necessario regolare la spina della corrente.



Lasciare raffreddare la protezione del motore e l'indicatore di errore prima di riavviare il motore. È necessario attendere circa 60 secondi.

La luce di lavoro non si accende

- Controllare il fusibile della luce di lavoro. Se il fusibile è rotto, sostituirlo con un fusibile integro. Fare riferimento a *Dati tecnici alla pagina 207*.



Trasporto, stoccaggio e smaltimento

Trasporto

- Rimuovere il disco di taglio prima del trasporto.
- Questo prodotto è pesante. Prestare attenzione quando si solleva il prodotto, rischio di lesioni. Vedere *Sollevamento del prodotto alla pagina 207*.

- Rispettare i requisiti speciali per il trasporto commerciale.
- Mettere in sicurezza il prodotto durante il trasporto. Assicurarsi che non si possa spostare.

Sollevamento del prodotto



AVVERTENZA: Accertarsi che l'attrezzatura di sollevamento sia delle dimensioni corrette. La targhetta dati di funzionamento sul prodotto mostra il peso del prodotto.



AVVERTENZA: Accertarsi che il golfare di sollevamento non sia danneggiato.



AVVERTENZA: Non camminare o sostare sotto o vicino a un prodotto sollevato.

- Utilizzare l'attrezzatura di sollevamento appropriata per sollevare il prodotto. Non sollevare il prodotto manualmente.
- Utilizzare il golfare di sollevamento collegato al prodotto quando lo si solleva.
- Utilizzare stivali con calotte di acciaio e soles antiscivolo.

Conservazione del prodotto

- Conservare il prodotto in un'area chiusa a chiave per impedire l'accesso a bambini o persone non autorizzate.
- Tenere sempre il prodotto in ambienti chiusi.
- Conservare il prodotto in un luogo asciutto e al riparo dal gelo.
- Rimuovere il disco di taglio dal prodotto dopo l'utilizzo. Accertarsi che il disco di taglio sia asciutto quando lo si ripone in magazzino.
- Parcheggiare il prodotto su una superficie piana.

Smaltimento

I simboli sul prodotto o sull'imballaggio indicano che il presente prodotto non può essere trattato come rifiuto domestico. Deve essere portato presso un centro di raccolta specializzato nel recupero di apparecchiature elettriche ed elettroniche.

Trattando questo prodotto correttamente, si contribuisce a contrastare il potenziale impatto negativo sull'ambiente e sulle persone che può altrimenti sorgere da una gestione impropria del prodotto come rifiuto. Per informazioni più dettagliate sul riciclaggio di questo prodotto, contattare l'autorità municipale, il servizio rifiuti domestici o il punto vendita in cui è stato acquistato.

Dati tecnici

Dati tecnici

Uscita motore, kW	7,5
Tensione nominale, frequenza @ V CA, Hz	3~400 @ 50 (CE) 3~415 @ 50 (AUS)
Corrente nominale, A	15
Presa di corrente	CEE, 3~, 16 A (CE) 56P420, 20 A, 500 V (AUS)
Diametro della lama max., mm	600
Profondità di taglio, mm	240
Velocità di rotazione dell'albero max. (a un regime motore nominale di 2925 giri/min), giri/min	1765
Diametro albero, mm	25,4
Diametro della flangia della lama, mm	116
Pressione dell'acqua consigliata max., bar	6

Peso nominale (senza imballo), kg	178
Peso operativo massimo senza serbatoio d'acqua, kg	183
Peso operativo massimo con serbatoio d'acqua pieno, kg	214
Grasso	Grasso DIN 51825 classe K2K-30 o K3K-30
Tensione corretta della cinghia, Hz	88-93
Presa per luce di lavoro, V CC	24
Fusibile per luce di lavoro, A	4 (5x20 mm)
Coppia vite lama, Nm/ft lbs	100/74

Livelli di rumorosità

Rumorosità e vibrazioni	
Livello potenza acustica L_{WA} (misurato), dB(A)	105
Livello potenza acustica L_{WA} (garantito), dB(A) ¹⁹	107
Livello di pressione sonora all'orecchio dell'operatore, dB (A) ²⁰	83
Livelli di vibrazioni a_{Hv} , m/s^2 , impugnatura destra/sinistra ²¹	2,6/3,1

Dichiarazione su rumori e vibrazioni

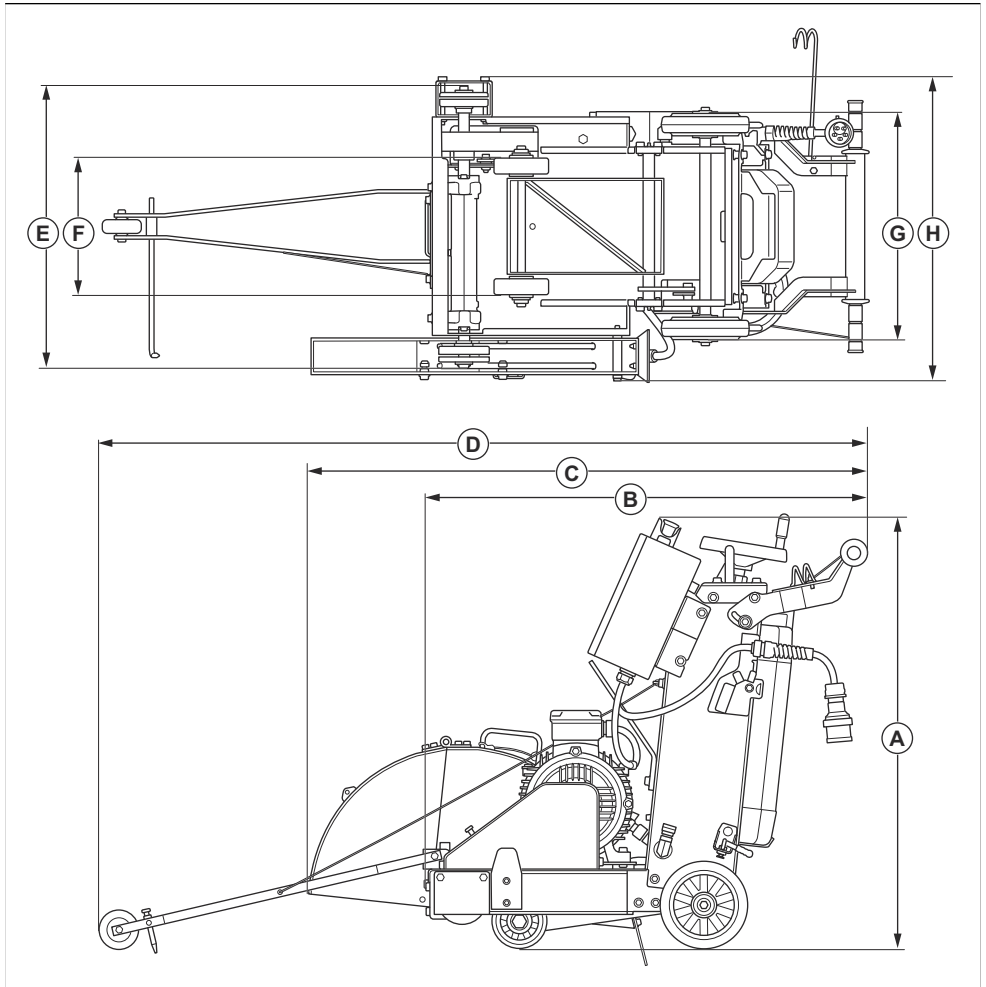
Questi valori dichiarati sono stati ottenuti mediante test di laboratorio in conformità alla direttiva o agli standard indicati e sono adatti per il confronto con i valori dichiarati di altri prodotti testati in conformità alla stessa direttiva o agli stessi standard. Questi valori dichiarati non sono adatti per l'uso nelle valutazioni dei rischi e i valori misurati nei singoli luoghi di lavoro possono essere più elevati. I valori di esposizione effettivi e il rischio di danni riscontrati da un singolo utente sono unici e dipendono dal modo in cui l'utente lavora, dal materiale utilizzato, dal tempo di esposizione e dalle condizioni fisiche dell'utente e del prodotto.

¹⁹ Emissioni di rumore nell'ambiente misurate come potenza sonora (L_{WA}) in base alla direttiva CE 2000/14/CE. La differenza tra potenza acustica misurata e garantita è che la potenza acustica garantita comprende anche la dispersione nel risultato di misurazione e le variazioni tra le diverse macchine dello stesso modello come da Direttiva 2000/14/CE.

²⁰ Livello di pressione acustica in ottemperanza alla norma EN 13862. I dati riportati per il livello di pressione acustica hanno una dispersione statistica tipica (deviazione standard) di 2,5 dB(A).

²¹ Livello di vibrazioni in ottemperanza alla norma EN 13862. I dati riportati per il livello di vibrazioni presentano una dispersione statistica tipica (deviazione standard) di 1 m/s^2

Dimensioni del prodotto



R	Altezza, mm	985	E	Larghezza min. (protezione lama non installata), mm	645
B	Lunghezza min. (puntatore sollevato e protezione lama o lama a disco non installati), mm	1010	F	Larghezza ruota anteriore, mm	320
A	Lunghezza (puntatore sollevato e protezione lama installata), mm	1275	G	Larghezza ruota posteriore, mm	520

D	Lunghezza max. (puntatore abbassato), mm	1.750	H	Larghezza max. (protezione lama installata), mm	700
----------	--	-------	----------	---	-----

Accessori

Accessori Husqvarna omologati

- Kit luce.
- Serbatoio d'acqua.

Dichiarazione di conformità

Dichiarazione di conformità UE

Husqvarna AB, SE 561 82 Huskvarna, SVEZIA, tel:
+46 36 146500, dichiara sotto la propria esclusiva
responsabilità che il prodotto indicato:

Descrizione	Tagliasuolo
Marchio	HUSQVARNA
Tipo/Modello	FS 600 E
Identificazione	Numeri di serie a partire da 2021 e successivi

È pienamente conforme alle seguenti norme e direttive
UE:

Direttiva/norma	Descrizione
2006/42/EC	"sulle macchine"
2014/30/EU	"sulla compatibilità elettromagnetica"
2000/14/EC	"sul rumore esterno"
2011/65/EU	"sulla restrizione dell'uso di sostanze pericolose"

e che sono applicati gli standard e/o le specifiche
tecniche seguenti:

EN ISO 12100:2010

EN 13862:2001+A1:2009

EN 55014-1:2021

EN 61000-6-2:2019

EN 61000-3-2:2019+A1:2021

EN 61000-3-3:2013+A1:2019

EN IEC 63000:2018

Procedura di valutazione della conformità in conformità
a 2000/14/CE: Allegato V.

Per informazioni sulle emissioni di rumore, fare
riferimento a *Dati tecnici alla pagina 207*.

Partille, 2021-12-08

Erik Silfverberg

R&D Director, Concrete Sawing & Drilling Equipment

Husqvarna AB, Construction Division

Responsabile della documentazione tecnica



A handwritten signature in black ink, appearing to be 'Erik Silfverberg', is located at the bottom left of the page.

Inhoud

Inleiding.....	212	Vervoer, opslag en verwerking.....	237
Veiligheid.....	216	Technische gegevens.....	237
Werking.....	221	Accessoires.....	240
Onderhoud.....	232	Verklaring van overeenstemming.....	241
Probleemoplossing.....	235		

Inleiding

Productbeschrijving

Het product is een elektrische vloerzaag (duwmodel).

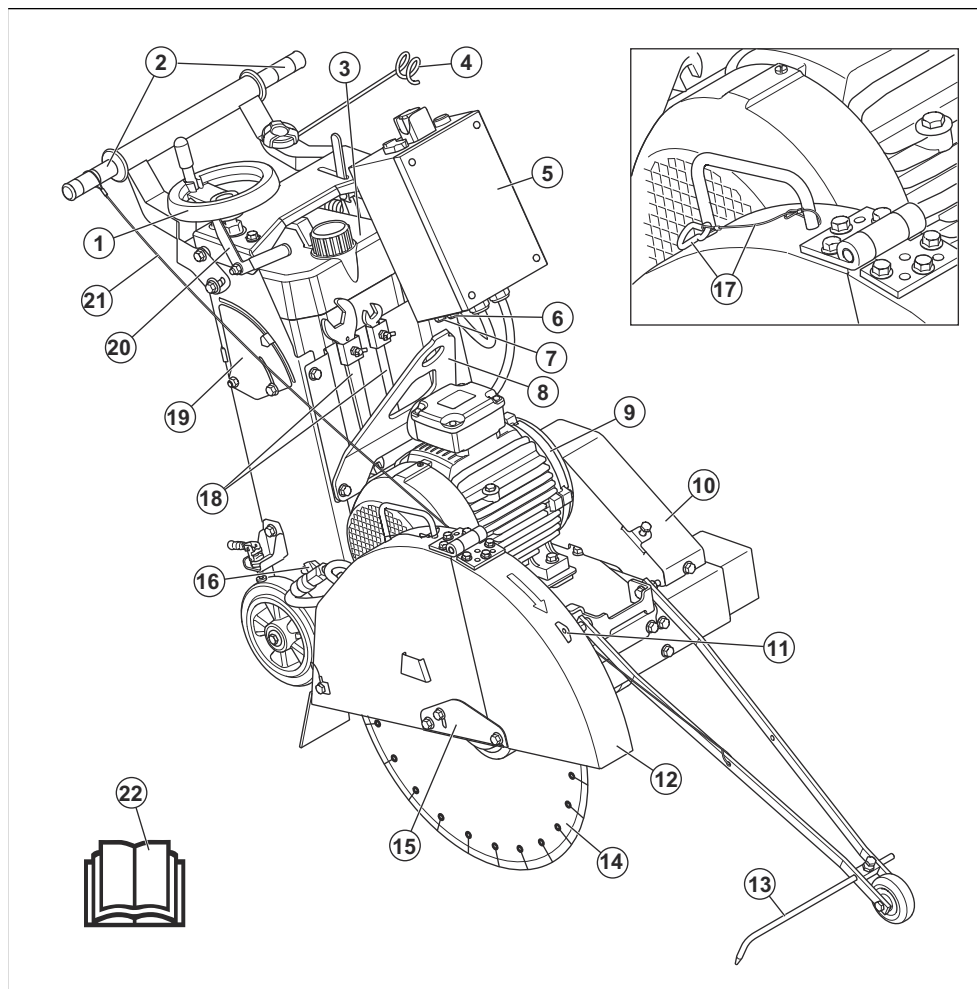
Gebruik

Dit product wordt gebruikt met diamantzaagbladen voor het nat zagen van harde vloeroppervlaktmaterialen zoals beton, asfalt en steen. Elk ander gebruik is niet geschikt.

Het product wordt door ervaren gebruikers toegepast in industriële processen.

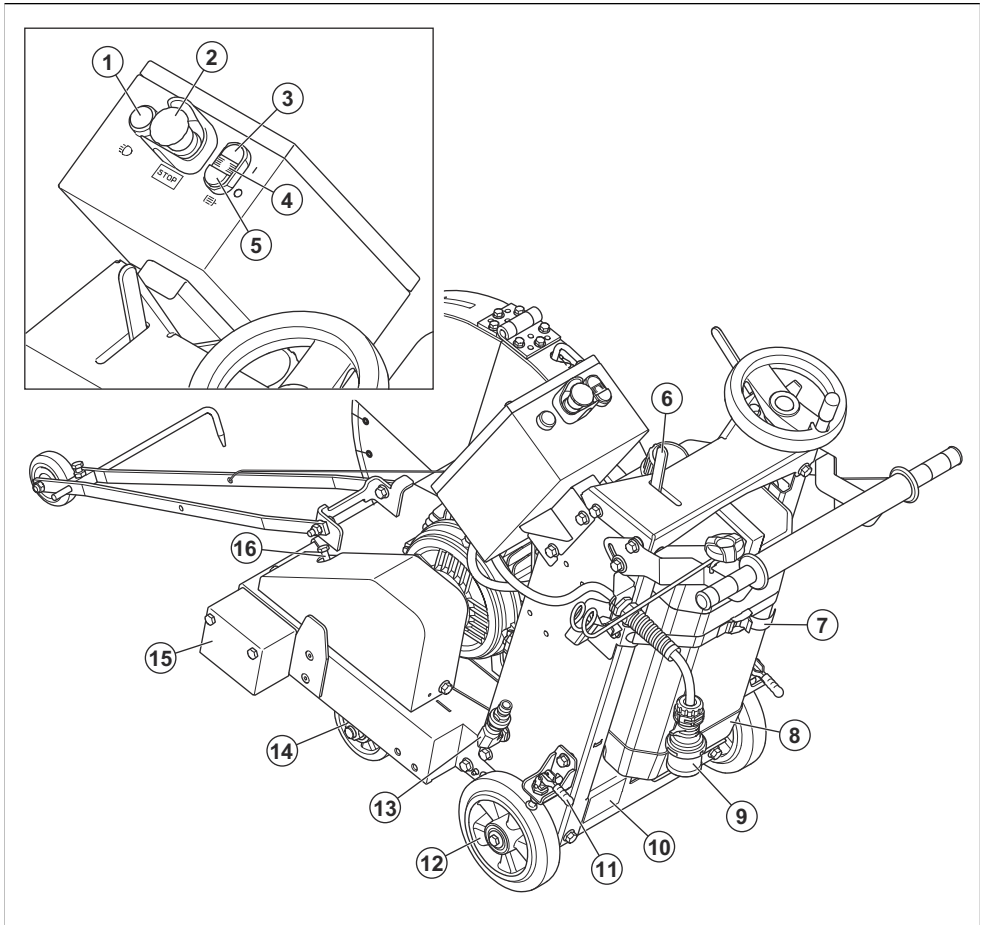
Gebruik het product niet buitenshuis of in natte omstandigheden; het product is uitsluitend bedoeld voor gebruik binnenshuis.

Productoverzicht, rechterzijde



- | | |
|------------------------------------|---|
| 1. Zaagdieptewiel | 12. Bladbeschermkap |
| 2. Handgreep | 13. Aanwijzer |
| 3. Watertank en deksel (optioneel) | 14. Blad (niet inbegrepen) |
| 4. Kabel en slanggeleider | 15. Beschermkapvergrendeling |
| 5. Controlekast | 16. Waterkraan |
| 6. Zekering voor de werklamp | 17. Kabel en karabijnhaak |
| 7. Uitgang voor de werklamp | 18. Servicegereedschappen |
| 8. Hijssoog | 19. Zaagdiepte-indicator |
| 9. Motor | 20. Hendel om de zaagdiepte te vergrendelen |
| 10. Aandrijfriemkap | 21. Geleiderkoord |
| 11. Houder voor de karabijnhaak | 22. Bedieningshandleiding |

Productoverzicht, linkerzijde



1. Lichtschakelaar voor werklampen (verlichtingsset optioneel)
2. Machinestopknop
3. ON-knop
4. Foutindicator
5. OFF-knop
6. Waterklep
7. Watertankband
8. Watertank (optioneel)
9. Voedingsstekker
10. Productplaatje
11. Parkeerrem
12. Achterwiel
13. Waterinlaat en waterfilter
14. Voorwiel

15. Flenskap
16. Spanschroef, aandrijfriem

Symbolen op het product



WAARSCHUWING: Dit product kan gevaarlijk zijn en ernstig of fataal letsel toebrengen aan de gebruiker of anderen. Wees voorzichtig en gebruik het product op de juiste manier.



Lees de bedieningshandleiding goed door en zorg dat u de instructies hebt begrepen voordat u dit product gaat gebruiken.



Gevaar voor snijwonden. Houd alle lichaamsdelen uit de buurt van het zaagblad.



Houd lichaamsdelen uit de buurt van het zaagblad en andere bewegende onderdelen.



Zorg ervoor dat het zaagblad niet bot of beschadigd is, bijvoorbeeld met barsten.



De bladbeschermkappen moeten altijd op het product zijn geïnstalleerd. Laat niet meer dan 180° van het zaagblad bloot.



Het zaagblad moet geschikt zijn voor dezelfde snelheid of een hogere snelheid dan aangegeven op het product. Een zaagblad dat op te hoge snelheid wordt gebruikt, kan breken en letsel of schade veroorzaken.



WAARSCHUWING: Het stof kan gezondheidsproblemen veroorzaken. Gebruik goedgekeurde ademhalingsbescherming. Zorg voor goede ventilatie.



WAARSCHUWING: Kijk niet in de straal. Deze waarschuwing is alleen van toepassing wanneer de verlichtingsset is geïnstalleerd.



Gebruik gehoorbescherming, oogbescherming en ademhalingsbescherming. Zie *Persoonlijke beschermingsuitrusting op pagina 219*.



Gevaar voor elektrische schok: Inspectie en/of onderhoud moet worden uitgevoerd terwijl de motor is gestopt en met de stekker uit het stopcontact.



Alle verplaatsingen van de machine buiten het zaaggebied dienen te geschieden met niet-roterend zaagblad.



Verwijder het zaagblad vóór transport en wanneer u het product optilt, plaatst of verwijdert.



De pijl op de bladbeschermkap geeft aan in welke richting het zaagblad draait.



Schakel de parkeerremmen in of uit.



Vul de tank alleen met water.



Klep voor de waterkoelsystemen voor het zaagblad.



Hef-/neerlaatregeling voor het aanpassen van de zaagdiepte.



Til het product altijd op aan het hefpunt.



Veiligheidsaarde.



ON-knop.



OFF-knop.



Machinestopknop.



Lichtschakelaar voor werklamp.



ON/OFF-knop motor, foutindicator.



Label met geluidsemissies naar de omgeving conform de richtlijnen en voorschriften van de EU en het VK. Het gegarandeerde geluidsvermogensniveau van het product staat vermeld in *Geluidsniveau op pagina 238, Verklaring van overeenstemming op pagina 241* en op het label.



Risico van elektrische schok. Deze apparatuur mag alleen worden onderhouden door bevoegd personeel.



Dit product voldoet aan de geldende EU-richtlijnen.



Dit product voldoet aan de geldende VK-regelgeving.



Het product of de verpakking ervan is geen huishoudelijk afval. Lever het in bij een erkende verwijderingslocatie voor elektrische en elektronische apparatuur.

Productplaatje

1 Husqvarna®		2	3
4	Husqvarna AB, S-561 82, Huskvarna, Sweden	5	
ARTICLE NO.		Made in China	
SERIAL NO. (HID)		6	
7	9	12	
	10	13	Ø
8	11	14	
15			

1. Fabrikant
2. Adres fabrikant
3. Scanbare QR-code
4. Typeaanduiding
5. Artikelnummer
6. Serienummer
7. Gewicht van het product, kg
8. Productiedatum, jaar/maand
9. Spanning: 3-fasige wisselstroom, V
10. Frequentie, Hz
11. Nominale stroom, A
12. Uitgangsvermogen motor, kW
13. Maximale diameter blad, mm
14. Maximaal spiltoerental, n/min
15. Aanvullende informatie

Productaansprakelijkheid

Zoals uiteengezet in de wet voor productaansprakelijkheid zijn wij niet aansprakelijk voor schade die door ons product wordt veroorzaakt, indien:

- het product niet goed is gerepareerd.
- het product is gerepareerd met onderdelen die niet van de fabrikant afkomstig zijn, of onderdelen die niet zijn goedgekeurd door de fabrikant.
- het product een accessoire bevat dat niet afkomstig is van de fabrikant of niet is goedgekeurd door de fabrikant.
- het product niet is gerepareerd door een erkend servicepunt of door een erkende autoriteit.

Veiligheid

Veiligheidsdefinities

Waarschuwingen, voorzorgsmaatregelen en opmerkingen worden gebruikt om te wijzen op belangrijke delen van de handleiding.



WAARSCHUWING: Wordt gebruikt om te wijzen op de kans op ernstig of fataal letsel voor de gebruiker of omstanders wanneer de instructies in de handleiding niet worden gevolgd.



OPGELET: Wordt gebruikt indien er een risico bestaat op schade aan het product en andere eigendommen of aan de omgeving wanneer de instructies in de handleiding niet worden gevolgd.

Let op: Geven verdere informatie die nodig is in een bepaalde situatie.

Algemene veiligheids waarschuwingen voor elektrisch gereedschap



WAARSCHUWING: Lees alle veiligheids waarschuwingen, instructies, illustraties en specificaties die worden meegeleverd met dit elektrisch gereedschap. Het niet opvolgen van ieder van de onderstaande instructies kan leiden tot elektrische schokken, brand en/of ernstig letsel.

Bewaar alle waarschuwingen en instructies voor later gebruik. De term "elektrisch gereedschap" in de waarschuwingen verwijst zowel naar gereedschappen die op het lichtnet (met snoer) werken als gereedschappen die met een accu (snoerloos) werken.

Veiligheid van het werkgebied

- **Zorg ervoor dat de werkplek schoon en goed verlicht is.** In rommelige of donkere gebieden gebeuren eerder ongelukken.
- **Gebruik elektrisch gereedschap niet in een omgeving waar ontploffingsgevaar bestaat, zoals in de buurt van brandbare vloeistoffen, gassen of stof.** Elektrische apparaten creëren vonken waardoor het stof of de dampen kunnen ontbranden.
- **Houd kinderen en omstanders op afstand wanneer u elektrisch gereedschap gebruikt.** U kunt de controle over het apparaat verliezen als u afgeleid wordt.

Elektrische veiligheid

- **Elektrisch gereedschap moet geschikt zijn voor het betreffende stopcontact. Wijzig nooit de stekker. Gebruik geen andere adapterstekkers.** Ongewijzigde stekkers en overeenkomende stopcontacten verkleinen het risico op elektrische schokken.
- **Vermijd lichamelijk contact met geaarde oppervlakken, zoals buizen, radiatoren, fornuizen en koelkasten.** Er is een verhoogd risico op elektrische schokken als uw lichaam geaard is.
- **Stel elektrische gereedschappen niet bloot aan regen of vochtige omstandigheden.** Water dat in elektrisch gereedschap binnendringt, verhoogt het risico op elektrische schokken.
- **Gebruik de kabel niet voor oneigenlijke doeleinden. Gebruik de kabel nooit om het elektrische apparaat te dragen, het mee te slepen of om de stekker uit het stopcontact te trekken. Houd de kabel uit de buurt van warmte, olie, scherpe randen en bewegende onderdelen.** Beschadigde of in de knoop geraakte kabels verhogen het risico op elektrische schokken.
- **Gebruik een verlengkabel die geschikt is voor gebruik buitenshuis wanneer u werkt met elektrisch gereedschap.** Het gebruik van een snoer dat geschikt is voor gebruik buitenshuis vermindert het risico op elektrische schokken.
- **Gebruik bij elektrisch gereedschap altijd een netvoeding met aardlekschakelaar (RCD).** Het gebruik van een aardlekschakelaar vermindert het risico op elektrische schokken.
- **Controleer of de voedingsaansluiting dezelfde spanning heeft als op het typeplaatje van het product. Zie *Productplaatje op pagina 216*.**

Persoonlijke veiligheid

- **Wees altijd alert, kijk wat u doet en gebruik uw gezonde verstand wanneer u elektrisch gereedschap gebruikt. Gebruik elektrisch gereedschap niet als u moe bent of onder invloed bent van drugs, alcohol of medicijnen.** Een moment van onoplettendheid tijdens het gebruik van elektrisch apparaat kan leiden tot ernstig persoonlijk letsel.
- **Maak altijd gebruik van persoonlijke beschermingsmiddelen. Draag altijd oogbescherming.** Beschermingsmiddelen zoals een

- stofmasker, veiligheidsschoenen met antislipprofiel, een veiligheidshelm of gehoorbescherming in relevante werkomstandigheden beperken letsel.
- **Voorkom een onbedoelde start. Zorg ervoor dat de schakelaar in de stand Off staat voordat u het gereedschap aansluit op een spanningsbron en/of accupack, oppakt of draagt.** Het dragen van elektrische apparaten met uw vinger op de schakelaar of het onder spanning zetten van elektrische apparaten waarvan de schakelaar op aan staat, kan makkelijk leiden tot ongelukken.
- **Verwijder eventuele (instel)sleutels voordat u het elektrisch gereedschap inschakelt.** Een sleutel die is bevestigd aan een draaiend onderdeel van het elektrische gereedschap kan persoonlijk letsel tot gevolg hebben.
- **Voorkom overstrekken. Zorg dat u te allen tijde stevig en in balans staat.** Hierdoor heeft u een betere controle over het apparaat in onverwachte situaties.
- **Draag geschikte kleding. Draag geen losse kleding of sieraden. Houd uw haar en kleding uit de buurt van bewegende onderdelen.** Losse kleding, sieraden of lang haar kunnen verstrikt raken in bewegende onderdelen.
- **Als de mogelijkheid bestaat voor het opvangen van stof moet u ervoor zorgen dat deze is aangesloten en op de juiste wijze wordt gebruikt.** Het gebruik van stofopvang kan stofgerelateerde gevaren beperken.
- **Laat de vertrouwdheid met de door u gebruikte apparaten door het frequente gebruik ervan niet toe leiden dat u de veiligheidsprincipes negeert.** Een onzorgvuldige handeling kan binnen een fractie van een seconde leiden tot ernstig letsel.

Gebruik en verzorging van elektrische apparaten

- **Gebruik elektrisch gereedschap niet voor taken waarvoor het niet geschikt is. Gebruik het juiste elektrische apparaat voor uw toepassing.** Met het juiste elektrische apparaat kunt u de taak beter en veiliger uitvoeren met de snelheid waarvoor het is ontworpen.
- **Gebruik het elektrisch gereedschap niet als de aan/uitschakelaar niet werkt.** Elektrische apparaten die niet bediend kunnen worden met de schakelaar zijn gevaarlijk en moeten gerepareerd worden.
- **Haal de stekker uit het stopcontact en/of verwijder het accupack (indien verwijderbaar) van het elektrische gereedschap voordat u aanpassingen maakt, accessoire verwisselt of het elektrische gereedschap opbergt.** Deze voorzorgsmaatregelen verkleinen het risico op het per ongeluk starten van het elektrische apparaat.
- **Berg elektrisch gereedschap dat u niet nodig hebt op buiten het bereik van kinderen en laat personen die onbekend zijn met het elektrisch gereedschap of deze instructies niet werken met het elektrisch**

- gereedschap. Elektrische apparaten zijn gevaarlijk in handen van ongetrainde gebruikers.
- **Zorg voor een deugdelijk onderhoud van elektrische gereedschappen en accessoires. Controleer op onjuiste montage of vastlopen van bewegende delen, gebroken onderdelen en andere condities die de werking van het elektrische gereedschap kunnen beïnvloeden. Als het elektrische apparaat beschadigd is, moet u het laten repareren voordat u het gebruikt.** Veel ongelukken worden veroorzaakt door slecht onderhouden elektrische apparaten.
- **Houd snijgereedschappen scherp en schoon.** Goed onderhouden snijgereedschappen met scherpe snijranden zullen minder gauw vastlopen en zijn eenvoudiger onder controle te houden.
- **Gebruik het elektrisch gereedschap, de accessoires, gereedschapsbits en dergelijke in overeenstemming met deze instructies en houd hierbij rekening met de werkomstandigheden en het type klus dat moet worden uitgevoerd.** Als u het elektrische apparaat voor andere toepassingen gebruikt dan waarvoor het is bedoeld, kan er een gevaarlijke situatie ontstaan.
- **Houd de handgrepen en grijppoppervlakken droog, schoon en vrij van olie en vet.** Als handgrepen en grijppoppervlakken glad zijn, kan dit ervoor zorgen dat het gereedschap in onverwachte situaties niet veilig kan worden gehanteerd en bediend.

- Laat het product niet door een kind bedienen.
- Het product mag alleen worden gebruikt door goedgekeurde personen.
- De gebruiker is verantwoordelijk indien ongelukken gebeuren met andere mensen of hun eigendommen.
- Gebruik het product nooit als u moe of ziek bent, of onder invloed van alcohol, drugs of medicijnen verkeert.
- Wees altijd voorzichtig en gebruik uw gezond verstand.
- Dit product produceert tijdens bedrijf een elektromagnetisch veld. Dit veld kan onder bepaalde omstandigheden de werking van actieve of passieve medische implantaten verstoren. Om het risico op ernstig of fataal letsel te verminderen, raden we personen met een medisch implantaat aan om contact op te nemen met hun arts en de fabrikant van het medische implantaat voordat ze dit product gebruiken.
- Houd het product schoon. Zorg ervoor dat u de aanduidingen en stickers duidelijk kunt lezen.
- Gebruik het product niet als het defect is.
- Breng geen wijzigingen aan dit product aan.
- Gebruik het product niet als de mogelijkheid bestaat dat andere personen wijzigingen aan het product hebben aangebracht.

Service

- **Laat uw elektrische apparaat repareren door een gekwalificeerde monteur en gebruik uitsluitend identieke vervangingsonderdelen.** Dit zorgt ervoor dat de veiligheid van het elektrisch gereedschap wordt gehandhaafd.

Veiligheidsinstructies voor bediening



WAARSCHUWING: Lees de volgende waarschuwingen voordat u het product gaat gebruiken.

Algemene veiligheidsinstructies



WAARSCHUWING: Lees de volgende waarschuwingen voordat u het product gaat gebruiken.

- Dit product kan bij onvoorzichtig of onjuist gebruik een gevaarlijk gereedschap zijn. Dit product kan ernstig of fataal letsel toebrengen aan de gebruiker of anderen. Het is erg belangrijk dat u deze gebruiksaanwijzing leest en begrijpt voordat u dit product gaat gebruiken.
- Bewaar alle waarschuwingen en instructies.
- U dient alle toepasselijke wet- en regelgeving in acht te nemen.
- De gebruiker en de werkgever van de gebruiker dienen op te hoogte te zijn van de risico's tijdens het gebruik van het product en moeten deze voorkomen.
- Zorg ervoor dat dit product alleen wordt gebruikt door personen die de inhoud van de gebruikershandleiding hebben gelezen en begrepen.
- Gebruik het product alleen als u voorafgaand aan gebruik training hebt ontvangen. Zorg ervoor dat alle gebruikers getraind worden.
- Lees de waarschuwingen die zijn meegeleverd bij het zaagblad door de fabrikant van het zaagblad.
- Sluit het product alleen op een voeding aan die beschermd wordt door een geschikte zekering of stroomonderbreker, maximaal 30 A.
- Controleer of het product correct is gemonteerd.
- Gebruik het product niet als de beschermkap en de beschermkappen niet correct zijn gemonteerd en bevestigd.
- Gebruik het product niet met omhoog geheven beschermkap. De beschermkap moet omlaag worden gebracht en moet correct worden vergrendeld en bevestigd.
- Onjuist gebruik van het product kan ertoe leiden dat het zaagblad breekt en letsel of schade veroorzaakt.
- Zorg ervoor dat u weet hoe u de motor in een noodsituatie snel kunt stoppen.
- Maak altijd gebruik van persoonlijke beschermingsmiddelen. Zie *Persoonlijke beschermingsuitrusting op pagina 219*.
- Zorg ervoor dat er alleen goedgekeurde personen in het werkgebied zijn.
- Zorg ervoor dat er geen elektrische kabels onder spanning staan in het werkgebied.

- Controleer voordat u het product gebruikt of er niet-zichtbare bedrading, kabels en leidingen in het werkgebied aanwezig zijn. Als het product een niet-zichtbaar object raakt, stop dan de motor onmiddellijk en onderzoek het product en het voorwerp. Gebruik het product pas weer als u zeker weet dat het veilig is om door te gaan.
- Zorg ervoor dat u stabiel en veilig staat tijdens het gebruik.
- Het product kan objecten met hoge snelheid uitwerpen. Zorg ervoor dat alle personen in de werkomgeving gebruikmaken van goedgekeurde persoonlijke beschermingsmiddelen. Verwijder losse voorwerpen uit het werkgebied.
- Voordat u het product achterlaat, moet u de motor stoppen en controleren of er geen risico bestaat dat de motor per ongeluk wordt gestart.
- Loop nooit weg van het product wanneer de parkeerremmen niet zijn ingeschakeld.
- Wees extra voorzichtig bij het werken op hellingen. Dit product is zwaar en kan ernstig letsel veroorzaken als het valt of te snel beweegt.
- Verzekeer u ervan dat er geen materiaal los kan raken en letsel kan veroorzaken bij de gebruiker.
- Zorg ervoor dat er geen kleding, lang haar en juwelen vast komen te zitten in bewegende delen.
- Gebruik het product alleen als u weet dat u hulp kunt krijgen indien zich een ongeval voordoet.
- Verplaats de watertank weg op een veilige afstand van het product als u de watertank vult.

Instructies voor geaard product



WAARSCHUWING: Een verkeerde aansluiting kan leiden tot elektrische schokken. Raadpleeg een erkende elektricien als u niet zeker weet of de contactdoos van het elektriciteitsnet correct geaard is.

Breng geen wijzigingen aan de stekker aan ten opzichte van de fabrieksspecificatie. Als de stekker of de voedingskabel beschadigd is of moet worden vervangen, raadpleeg dan uw Husqvarna-servicewerkplaats. Volg de lokale regel- en wetgeving.

Neem contact op met een erkende elektricien als u de instructies over het geaarde product niet volledig begrijpt.

Gebruik alleen geaarde verlengkabels voor buitengebruik met geaarde stekkers en geaarde contactdozen die geschikt zijn voor de stekker van het product.

Het product heeft een geaarde voedingskabel en een geaarde stekker. Sluit het product altijd aan op een geaard stopcontact. Dit vermindert het risico op elektrische schokken in geval van een storing.

Gebruik geen adapters in combinatie met het product.

Persoonlijke beschermingsuitrusting



WAARSCHUWING: Lees de volgende waarschuwingen voordat u het product gaat gebruiken.

- Draag tijdens het gebruik van het product altijd goedgekeurde persoonlijke beschermingsuitrusting. Persoonlijke beschermingsuitrusting kunnen niet alle risico's uitsluiten maar kunnen de ernst van eventueel letsel helpen beperken. Vraag uw dealer u te helpen bij het kiezen van de juiste beschermingsuitrusting.
- Controleer regelmatig de toestand van uw persoonlijke beschermingsmiddelen.
- Draag een goedgekeurde veiligheidshelm.
- Gebruik goedgekeurde gehoorbescherming.
- Gebruik goedgekeurde ademhalingsbescherming.
- Gebruik goedgekeurde oogbescherming met zijbescherming. Er bestaat een groot risico op oogletsel door wegslingerende voorwerpen.
- Draag veiligheidshandschoenen.
- Gebruik laarzen met stalen neus en antislipzool.
- Gebruik goedgekeurde werkkleding of gelijkwaardige nauwsluitende kleding met lange mouwen en lange broekspijpen.

Brandblusser

- Zorg dat er een brandblusser in de buurt is tijdens het gebruik van dit product.
- Gebruik een poederblusser of een kooldioxidebrandblusser.

Veiligheidsvoorzieningen op het product

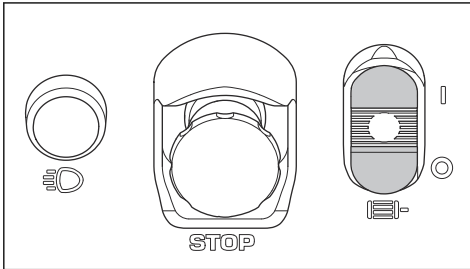


WAARSCHUWING: Lees de volgende waarschuwingen voordat u het product gaat gebruiken.

- Gebruik het product nooit wanneer de veiligheidsvoorzieningen defect zijn.
- Controleer de veiligheidsvoorzieningen regelmatig op een juiste werking. Als de veiligheidsvoorzieningen defect zijn, neem dan contact op met uw Husqvarna servicewerkplaats.

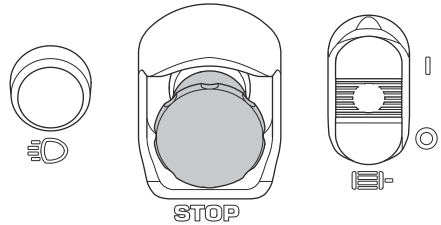
ON-knop en OFF-knop

De ON-knop (I) en OFF-knop (0) worden gebruikt om de motor te starten en te stoppen.



Machinestopknop

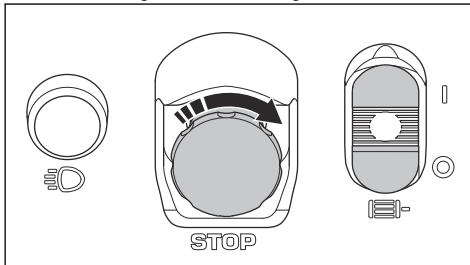
De machinestopknop (STOP) wordt gebruikt om de motor te stoppen. De machinestopknop stopt deze verlichting niet.



De ON-knop en OFF-knop controleren

Let op: Als het product niet kan worden gestart, raadpleegt u *Het product start niet op pagina 235*.

1. Ontkoppel het product van het stopcontact.
2. Zorg ervoor dat het zaagblad licht boven de grond staat.
3. Zorg ervoor dat het zaagblad en de bladflens goed zijn bevestigd en de beschermkap correct is geïnstalleerd. Zie *Een zaagblad monteren op pagina 223* en *De beschermkap installeren op pagina 225*.
4. Sluit het product met een verlengsnoer aan op het stopcontact.
5. Draai de machinestopknop (STOP) rechtsom om ervoor te zorgen dat deze is uitgeschakeld.

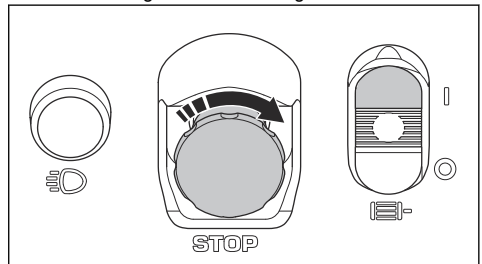


6. Druk de ON/OFF-knop naar "I" om het product te starten.
7. Wacht 5 seconden totdat het product met het juiste toerental werkt.
8. Druk de ON/OFF-knop naar "0" en controleer of de motor stopt.

Let op: Gebruik de machinestopknop alleen in noodgevallen om het product uit te schakelen. Raadpleeg *Product stoppen op pagina 230* voor de juiste procedure om het product tijdens bedrijf stop te zetten.

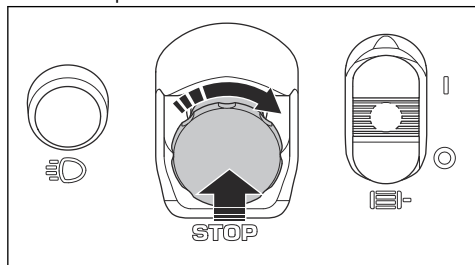
De machinestopknop controleren

1. Ontkoppel het product van het stopcontact.
2. Zorg ervoor dat het zaagblad licht boven de grond staat.
3. Zorg ervoor dat het zaagblad en de bladflens goed zijn bevestigd en de beschermkap correct is geïnstalleerd. Zie *Een zaagblad monteren op pagina 223* en *De beschermkap installeren op pagina 225*.
4. Sluit de stekker van het product aan op het stopcontact.
5. Draai de machinestopknop (STOP) rechtsom om ervoor te zorgen dat deze is uitgeschakeld.



6. Druk de ON/OFF-knop naar "I" om het product te starten.

7. Druk op de machinestopknop en controleer of de motor stopt.



8. Draai de machinestopknop rechtersom om deze uit te schakelen.

Beschermkap



WAARSCHUWING: Gebruik het product niet zonder beschermkap of als de beschermkap defect is. Zorg ervoor dat de beschermkap correct is geïnstalleerd en bevestigd voordat u het product start.

De beschermkap voorkomt dat delen van het blad of het materiaal dat wordt gezaagd, weg kunnen springen richting de gebruiker.

De beschermkap controleren

- Controleer of de beschermkap correct is geïnstalleerd en bevestigd. Zie *De beschermkap installeren op pagina 225*.
- Controleer de beschermkap op beschadigingen, zoals scheuren.
- Als de beschermkap beschadigd is, moet deze worden vervangen.
- Vervang de beschermkap als deze geraakt, verbogen of anderszins defect is.

Aandrijfriemkap



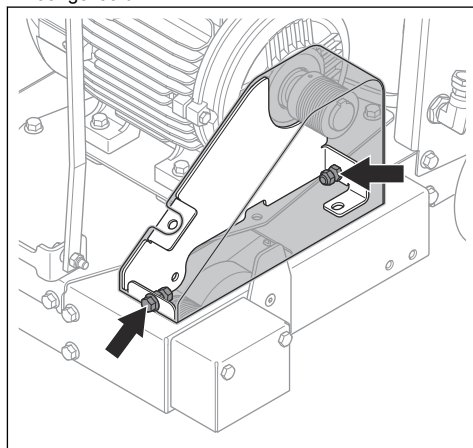
WAARSCHUWING: Gebruik het product niet zonder aandrijfriemkap of als de aandrijfriem defect is. Zorg ervoor dat de

aandrijfriemkap correct is geïnstalleerd en aangebracht voordat u het product start.

De aandrijfriemkap beschermt de poelies en de aandrijfriem af.

De aandrijfriemkap controleren

- Controleer de aandrijfriemkap op beschadigingen en scheuren. Vervang de aandrijfriemkap indien nodig.
- Zorg ervoor dat de 2 schroeven van de aandrijfriemkap correct zijn geïnstalleerd en aangehaald.



Veiligheidsinstructies voor onderhoud

- Zorg ervoor dat alle onderdelen in een goede staat blijven en controleer of alle fittingen goed vastzitten.
- Gebruik geen product dat defect is. Voer de in deze handleiding beschreven veiligheidscontroles en onderhouds- en servicetaken uit. Alle overige onderhoudswerkzaamheden moeten worden uitgevoerd door een erkende servicewerkplaats.
- Stop de motor en haal de stekker uit het stopcontact als u de diamantgereedschappen vervangt.
- Voer de inspectie en/of het onderhoud uit terwijl de motor is gestopt en de stekker is verwijderd.
- Controleer het product regelmatig om een goede werking te waarborgen. Zie *Onderhoudsschema op pagina 233*.

Werking

Inleiding



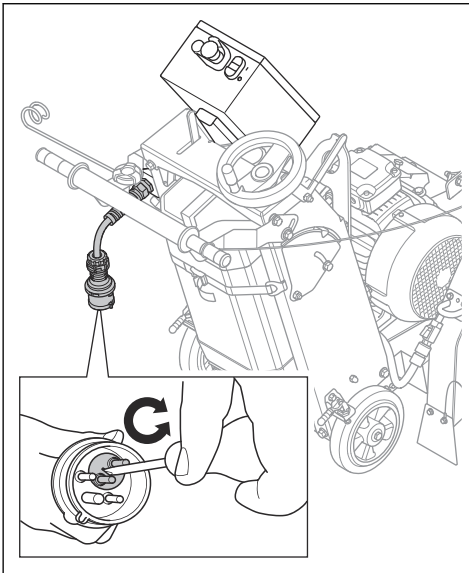
WAARSCHUWING: Zorg dat u het hoofdstuk over veiligheid hebt gelezen en begrepen voordat u het product gebruikt.

Voordat u het product gebruikt



OPGELET: Gebruik geen verlengsnoer langer dan 25 m en minder dan 2,5 mm².

- Lees de gebruikershandleiding zorgvuldig door en zorg dat u de instructies hebt begrepen.
- Lees de instructies die zijn meegeleverd bij het zaagblad door de fabrikant van het zaagblad.
- Voer altijd de volgende stappen uit voordat u het product gebruikt:
 - a) Voer dagelijks onderhoud uit. Zie *Onderhoudsschema op pagina 233*.
 - b) Maak lijnmarkeringen voor alle zaagsneden. Breid de werkvolgorde zorgvuldig voor om letsel en schade te voorkomen.
 - c) Zorg ervoor dat het zaagblad en de beschermkap correct zijn geïnstalleerd. Zie *Een zaagblad monteren op pagina 223* en *De beschermkap installeren op pagina 225*.
 - d) Stel de hendel af op de gewenste werkstand. Zie *Hoogte van de handgreep afstellen op pagina 223*.
 - e) Vul de watertank of sluit de externe watertoevoerbron aan. Zie *De watertank vullen op pagina 228* en *De externe watertoevoer aansluiten op pagina 229*.
 - f) Zorg ervoor dat de waterleiding in de beschermkap niet geblokkeerd is. Aan beide zijden van het zaagblad moet voldoende water worden toegevoerd.
 - g) Zorg ervoor dat de aanwijzer is uitgelijnd met het zaagblad. Zie *De aanwijzer uitlijnen met het zaagblad op pagina 227*.
 - h) Steek de stekker van het product in een verlengsnoer en vervolgens in het stopcontact.
 - i) Onder bepaalde omstandigheden dient u de fasen om te keren. Zie *Foutindicator op pagina 236*.



- j) Draai de machinestopknop rechtsom om ervoor te zorgen dat de deze wordt uitgeschakeld.

Slijpschijven



WAARSCHUWING: Gebruik een zaagblad niet voor andere materialen dan waarvoor het is bedoeld.



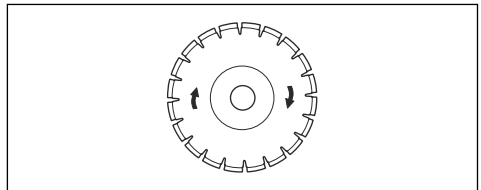
WAARSCHUWING: Gebruik alleen diamantzaagbladen voor nat zagen. Het diamantzaagblad moet geschikt zijn voor dezelfde snelheid of een hogere snelheid dan aangegeven op het producttypeplaatje. Gebruik alleen diamantzaagbladen die voldoen aan nationale of regionale standaarden, bijvoorbeeld EN13236 of ANSI B7.1.

De fabrikant van het zaagblad verstrekt waarschuwingen en aanbevelingen voor gebruik en correct onderhoud van het zaagblad. Deze waarschuwingen worden meegeleverd met het zaagblad.

Diamantzagen



WAARSCHUWING: Zorg ervoor dat de draairichting van het diamantzaagblad op het diamantzaagblad overeenkomt met de draairichting op het product.



OPGELET: Gebruik altijd een scherpe diamantzaag.

Er is een breed assortiment diamantzaagbladen dat voor verschillende werkzaamheden kan worden gebruikt. Van nieuw gestort beton tot beton en asfalt dat hard is geworden en voor verschillende hardheidsklassen.

Diamantzaagbladen hebben een stalen kern, met segmenten die zijn gemaakt van industriële diamanten.

Waterkoelsysteem

Gebruik altijd water tijdens gebruik, om de temperatuur van de diamantzaagbladen laag te houden. Het waterkoelsysteem verlengt ook de levensduur van de diamantzaagbladen en voorkomt ophoping van stof.

Zorg dat de watertoevoer niet verstopt is.

Diamantzaagbladen voor natzagen



WAARSCHUWING: Gebruik altijd een bladflens met een afmeting die is gespecificeerd voor de afmeting van het huidige blad. Gebruik geen beschadigde bladflenzen.

Tijdens gebruik kan frictie ervoor zorgen dat het diamantzaagblad zeer heet wordt. Als het diamantzaagblad te heet wordt, neemt de spanning van het zaagblad af of barst de kern.

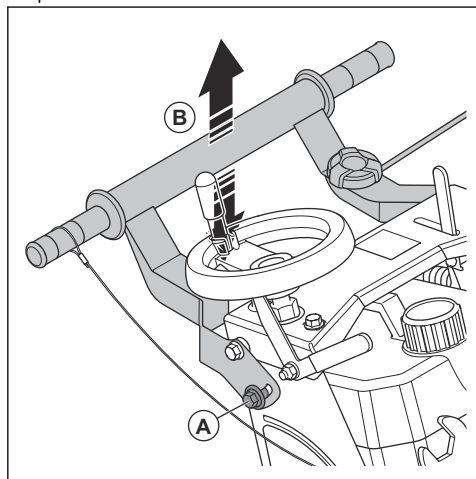
Laat het diamantzaagblad afkoelen voordat u het aanraakt.

- Diamantzaagbladen voor nat zagen moeten in combinatie met water worden gebruikt om te zorgen dat de kern van het diamantzaagblad en de segmenten koel blijven tijdens het zagen. Diamantzaagbladen voor nat zagen kunnen niet worden gebruikt voor droog zagen.
- Als u diamantzaagbladen voor nat zagen gebruikt, maar geen water gebruikt, kan het diamantzaagblad te heet worden. Dit leidt tot slechte prestaties en schade aan het blad, en leidt daarnaast tot een veiligheidsrisico.

Hoogte van de handgreep afstellen

De hoogte van de handgreep kan naar wens worden afgesteld.

1. Draai de schroeven (A) aan elke kant van het product los.



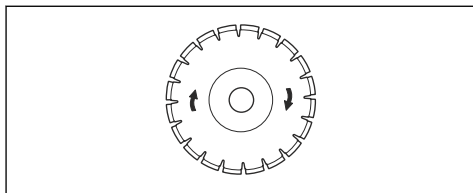
2. Stel de handgreep in op de vereiste werkhoogte (B).
3. Draai de schroeven (A) vast.

Een zaagblad monteren

Het zaagblad kan aan de rechterkant en de linkerkant van het product worden geïnstalleerd.

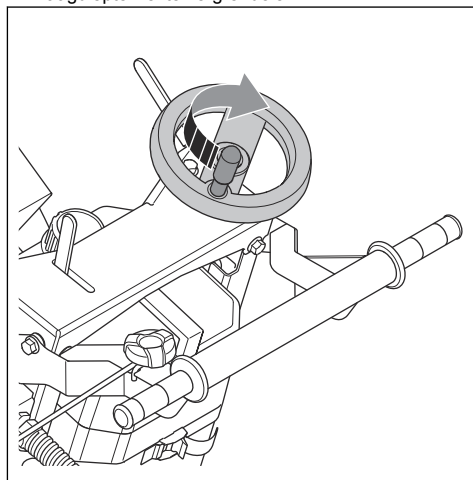


OPGELET: Als het zaagblad in tegengestelde richting van de draairichting wordt gemonteerd, kan dit leiden tot beschadiging van het zaagblad. Zorg ervoor dat het zaagblad draait in de richting van de pijlen op het zaagblad.



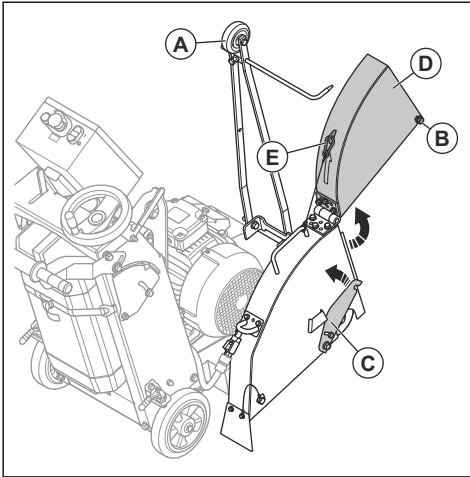
Let op: De hendel voor het zaagdieptewiel moet altijd vergrendeld zijn als het zaagdieptewiel niet in gebruik is.

1. Stop de motor en haal de stekker uit het stopcontact.
2. Draai het zaagdieptewiel rechtersom om het zaagblad volledig te heffen. Duw de hendel om het zaagdieptewiel te vergrendelen.

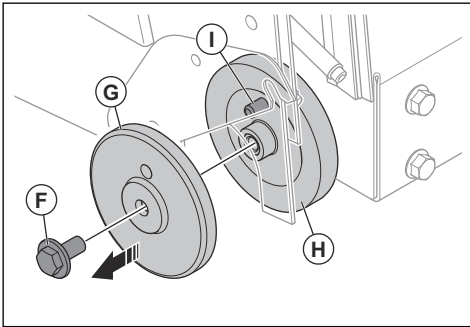


3. De beschermkap moet aan dezelfde kant van het product als het zaagblad worden geïnstalleerd. Als de beschermkap niet aan de correcte kant is geïnstalleerd, zie *De beschermkap installeren op pagina 225*.

4. Til de aanwijzer (A) in rechtopstaande stand.



5. Draai de voorste bout (B) op de beschermkap los en til de beschermkapvergrendeling (C) omhoog.
6. Til de voorkant van de beschermkap (D) omhoog.
7. Vergrendel de beschermkap in rechtopstaande stand met de diamantkabel en de karabijnhaak (E).
8. Verwijder de bladschroef (F) met de meegeleverde sleutel en contrasleutel.



Let op: De bladschroef aan de rechterkant van het product heeft een linkse schroefdraad. De bladschroef aan de linkerkant van het product heeft een rechtse schroefdraad.

9. Verwijder de bladflens (G).

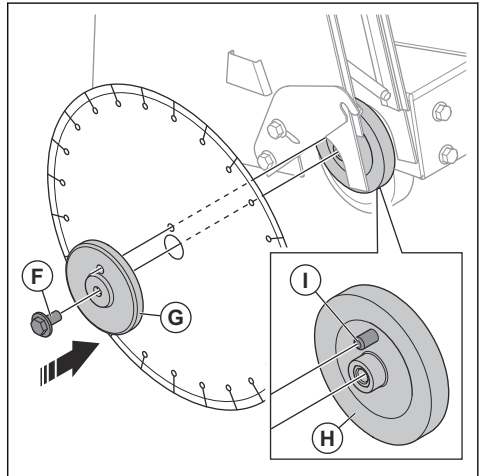


WAARSCHUWING:

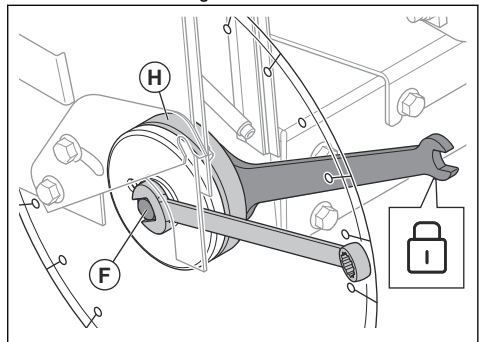
Beschadigde of vuile onderdelen kunnen een correcte installatie van het zaagblad verhinderen. Controleer de bladschroef (F), de bladflens (G), de binnenste flens (H) en de borgpen (I) op schade. Vervang versleten of beschadigde onderdelen. Reinig de contactvlakken

van het zaagblad en de flenzen. Reinig de schroefdraden van de bladschroef en de binnenste flens.

10. Installeer het zaagblad op de binnenste flens (H).

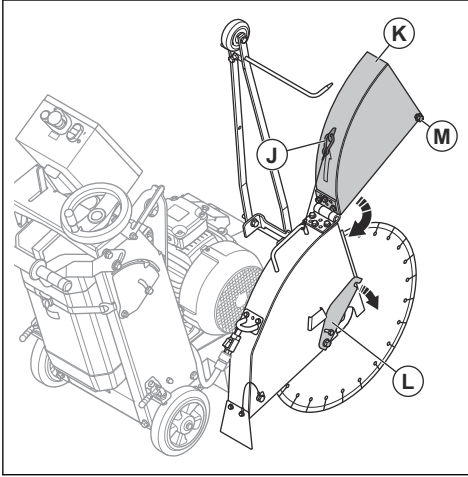


11. Installeer de bladflens (G) en de bladschroef (F). Zorg ervoor dat de borgpen (I) op de binnenste flens door het zaagblad gaat en in de bladflens (G) schuift.
12. Houd het zaagblad vast en duw dit tegen de draairichting in. Draai tegelijkertijd de bladschroef (F) met de meegeleverde sleutel vast.
13. Vergrendel de binnenste flens (H) met de meegeleverde sleutel en draai de bladschroef (F) met de andere meegeleverde sleutel aan.



14. Draai de bladschroef (F) aan tot 100 Nm/74 ft lbs.

15. Ontgrendel de beschermkap van de karabinhaak (J) en breng de voorkant van de beschermkap (K) omlaag.



16. Zet de beschermkapvergrendeling (L) op de voorste bout van de beschermkap. Haal de voorste bout (M) van de beschermkap aan.



OPGELET: Bedien het product niet zonder omlaaggebrachte beschermkap en vergrendelde beschermkapvergrendeling. Gebruik het product niet als de onderdelen beschadigd zijn

17. Zorg ervoor dat de bladschroef aan de tegenoverliggende kant van het product is aangehaald.
18. Start het product. Zie *Product starten op pagina 229*.
19. Let op ongebruikelijke geluiden. Verwijder het zaagblad als u ongebruikelijke geluiden hoort.
- Controleer het zaagblad op beschadigingen.
 - Monteer het zaagblad weer. Vervang de het zaagblad als dit is beschadigd.

Het zaagblad verwijderen



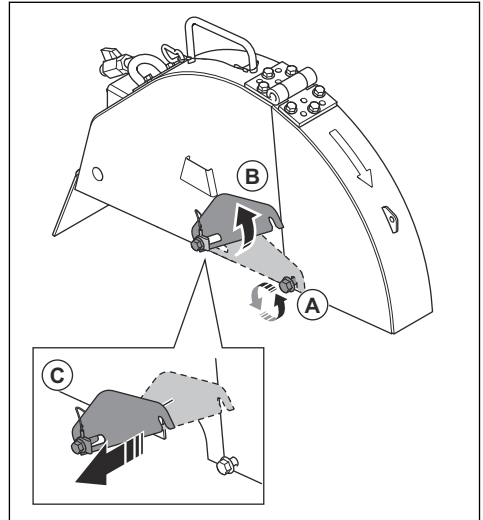
WAARSCHUWING: Laat het product afkoelen en gebruik veiligheidshandschoenen bij het verwijderen van diamantzaagbladen. Diamantzaagbladen kunnen na gebruik zeer heet zijn.

- Verwijder het zaagblad door de montage in omgekeerde volgorde uit te voeren. Zie *Een zaagblad monteren op pagina 223*.

De beschermkap installeren

De beschermkap moet aan dezelfde kant van het product als het zaagblad worden geïnstalleerd. Beweeg de beschermkap indien nodig naar de correcte kant van de beschermkap.

- Als de beschermkapvergrendeling niet aan de correcte kant van de beschermkap is geïnstalleerd, volg dan de onderstaande procedure.
 - Draai de 2 schroeven voor de flenskap los en verwijder de flenskap.
 - Draai de voorste bout (A) op de beschermkap los en til de beschermkapvergrendeling (B) omhoog.

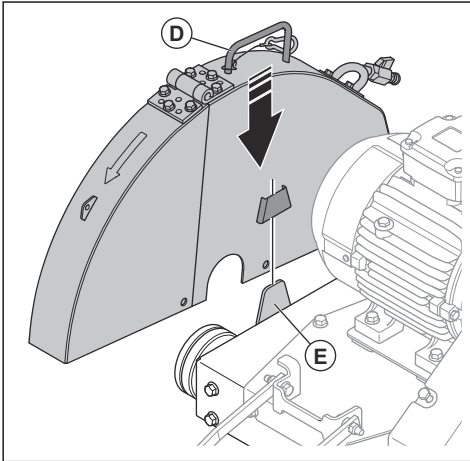


- Verwijder de achterste bout en de beschermkapvergrendeling (C).
- Beweeg de beschermkapvergrendeling naar de tegenoverliggende kant van de beschermkap. Voer de volgende procedure uit.
 - Installeer de beschermkapvergrendeling en haal de achterste bout aan.
 - Zet de beschermkapvergrendeling op de voorste bout van de beschermkap. Haal de voorste bout (A) aan.

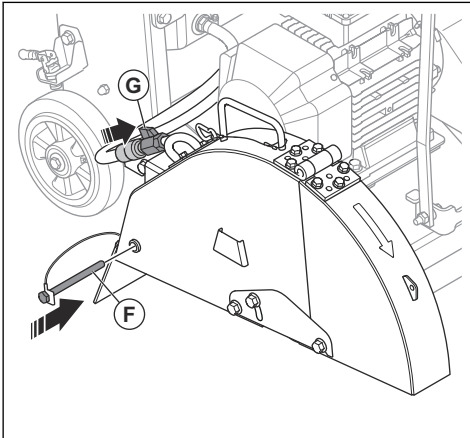


OPGELET: Gebruik het product niet zonder ingeschakelde beschermkapvergrendeling. Gebruik het product niet als de onderdelen beschadigd zijn.

3. Gebruik de handgreep (D) om de beschermkap omhoog te heffen en de beschermkap op de steun (E) te installeren.

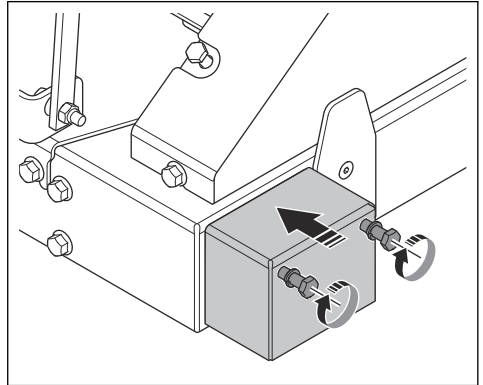


4. Installeer de schroef (F) voor de beschermkap.



5. Sluit de waterslang (G) aan.

6. Installeer de flenskap aan de tegenoverliggende kant van het product en haal de 2 schroeven aan.



De beschermkap verwijderen

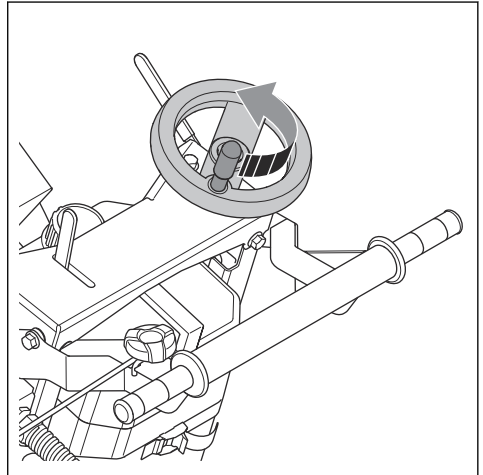
1. Stop de motor. Zie *Product stoppen* op pagina 230.
2. Verwijder de beschermkap door de installatie in omgekeerde volgorde uit te voeren. Zie *De beschermkap installeren* op pagina 225.

De zaagdiepte-indicator instellen

De indicator moet worden gekalibreerd voordat u het product gebruikt.

Let op: De hendel voor het zaagdieptewiel moet altijd vergrendeld zijn als het zaagdieptewiel niet in gebruik is.

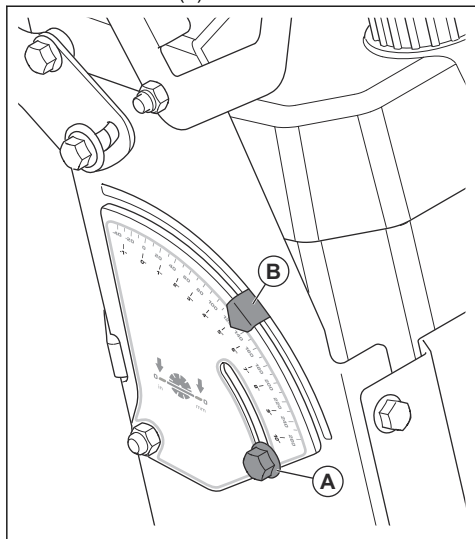
1. Draai aan het zaagdieptewiel totdat het zaagblad de grond licht raakt. Duw de hefboom om het zaagdieptewiel te vergrendelen.





OPGELET: Laat het zaagblad niet te snel zakken. Als het zaagblad met kracht tegen het oppervlak slaat, kan het zaagblad beschadigd raken.

2. Draai de schroef (A) los.



3. Draai de indicatorplaat tot de positie "0" in het midden van de pijl (B) staat.
4. Draai de schroef (A) vast.



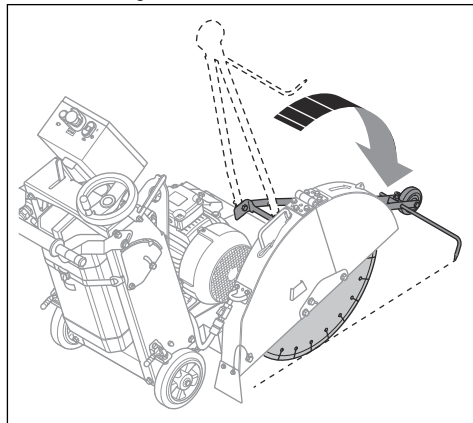
OPGELET: Controleer altijd of de zaagdiepte correct is. De indicator helpt u bij het verkrijgen van de juiste zaagdiepte, maar geeft slechts een indicatie van de dieptewaarde.

De aanwijzer uitlijnen met het zaagblad

Let op: De aanwijzer moet worden uitgelijnd met het zaagblad.

1. Plaats de binnenste flens langs een lijn.

2. Laat de aanwijzer zakken en lijn de machine uit met de markeringen.



3. Lijn de aanwijzer uit met de lijn.
4. Stel indien nodig de aanwijzer af totdat deze volledig is uitgelijnd met de lijn.

Basistechniek

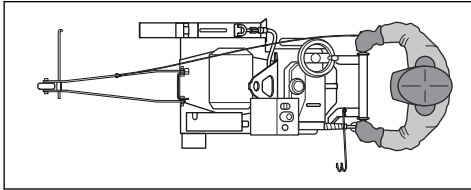


WAARSCHUWING: Wanneer de motor wordt gestart, gaat de zaagbladas draaien.

- Zorg ervoor dat u tijdens gebruik altijd op de machinestopknop kunt drukken.
- Controleer of er geen gereedschap of andere voorwerpen op het product zijn blijven liggen.
- Behoud de controle over het product als de motor wordt gestart.
- Zorg ervoor dat de bladbeschermkap correct is bevestigd voordat u het product start. Voer nooit zaagwerkzaamheden uit zonder de bladbeschermkap.
- Maak lijnmarkeringen voor alle zaagsneden voordat u het bedrijf start. Zorg ervoor dat er geen risico ontstaat voor de gebruiker of het product.
- Draai, kantel of verplaats het product niet van de ene naar de andere kant terwijl het zaagblad draait.
- Zorg ervoor dat er altijd één persoon in de buurt is wanneer u het product gebruikt. Als er dan een ongeval plaatsvindt, kan die persoon u helpen.
- Loop nooit weg van het product wanneer de parkeerremmen niet zijn ingeschakeld.

De juiste werktechniek gebruiken

- Blijf uit de buurt van de baan van het blad terwijl de motor is ingeschakeld. De plaats voor de gebruiker is achter de handgrepen met beide handen aan de handgrepen.



- Controleer het zaagblad gedurende de werkdag regelmatig op barsten en kapotte onderdelen. Gebruik nooit een beschadigd zaagblad.



WAARSCHUWING: Stop de motor en haal de stekker uit het stopcontact voordat u het zaagblad inspecteert.

- Slijp NIET met de zijkant van het zaagblad. Het zaagblad kan breken, wat kan leiden tot verwondingen voor de gebruiker of omstanders. Gebruik alleen de zaagkant.
- Buig of draai het zaagblad niet in de snede.
- Zorg ervoor dat het zaagblad vrij kan bewegen en niet in de snede blijft haken.

Watertoevoer

Het zaagblad moet voldoende watertoevoer hebben tijdens het bedrijf. Gebruik water uit de watertank van het product of van een externe waterslang. Zie *De watertank vullen op pagina 228* en *De externe watertoevoer aansluiten op pagina 229*.

De watertank vullen

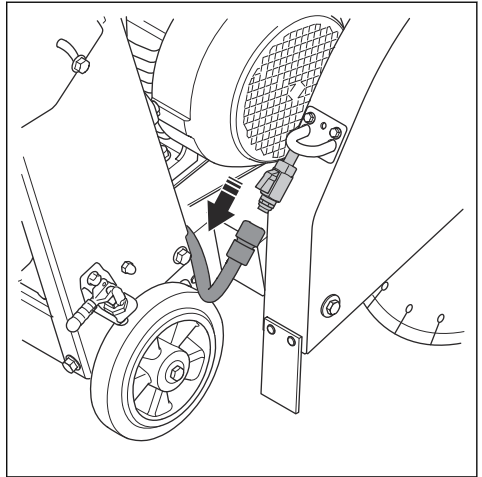


WAARSCHUWING: Doe alleen water in de tank. Doe geen andere vloeistoffen in de watertank.

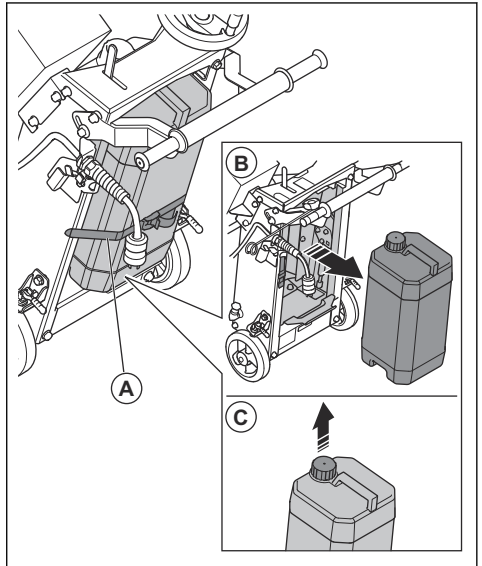


WAARSCHUWING: Zorg ervoor dat het zaagblad licht boven de grond staat als u de waterkraan draait om het water aan te passen.

1. Sluit de waterkraan en koppel de waterslang los.

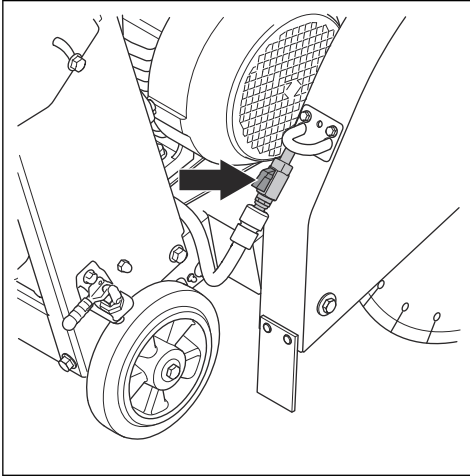


2. Verwijder de watertankband (A) en de watertank (B). Mors geen water op het product. Beweeg de watertank op een veilige afstand weg van het product.



3. Verwijder het watertankdeksel (C) en vul de watertank met water.
4. Installeer het watertankdeksel.
5. Installeer de watertank.
6. Installeer de watertankband en sluit de waterslang aan.

7. Draai de waterkraan op de beschermkap om de watertoevoer aan te passen.

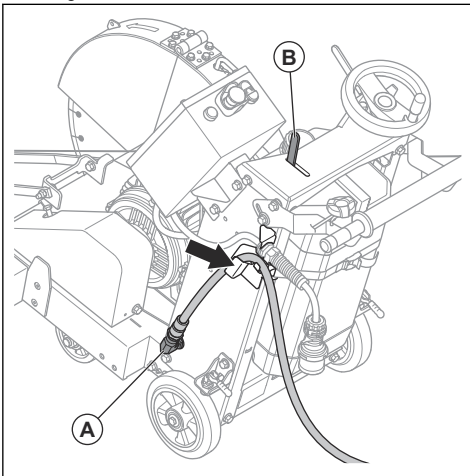


De externe watertoevoer aansluiten

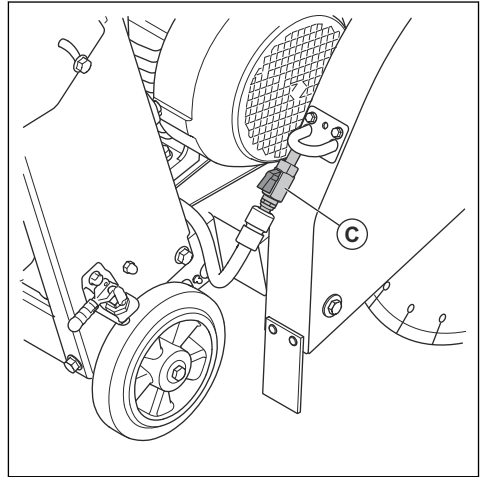


WAARSCHUWING: Zorg ervoor dat het zaagblad licht boven de grond staat als u de waterkraan draait om het water aan te passen.

1. Sluit een externe waterslang op de waterinlaat (A) aan. Plaats de externe waterslang in de slanghouder.



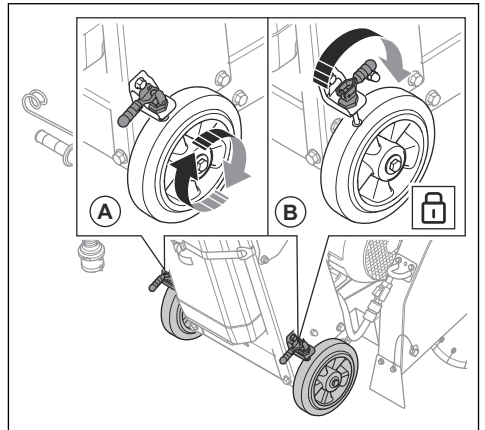
2. Om het water te starten of te stoppen drukt u op de waterklep (B) of draait u de waterkraan (C) op de beschermkap.



3. Om de watertoevoer aan te passen, drukt u op de waterklep of draait u de waterkraan op de beschermkap.

De parkeerremmen in- en uitschakelen

1. Schakel de parkeerremmen (A) uit om het product te verplaatsen.



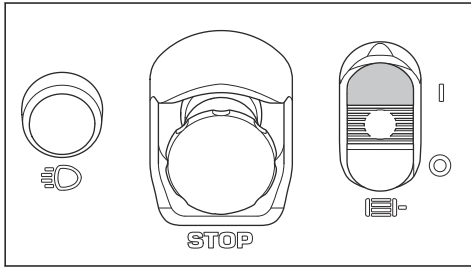
2. Schakel de parkeerremmen (B) in om het product op zijn plaats te houden.

Product starten



WAARSCHUWING: Zorg ervoor dat het zaagblad licht boven de grond staat.

- Druk de ON/OFF-knop naar "I" om het product te starten. Het product bereikt binnen 5 seconden het juiste bedrijfstoerental.



Bedrijf stoppen

Let op: De hendel voor het zaagdieptewiel moet altijd vergrendeld zijn als het zaagdieptewiel niet in gebruik is.

1. Trek aan de hefboom om het zaagdieptewiel te ontgrendelen.
2. Draai het zaagdieptewiel rechtsom totdat het zaagblad licht boven de grond staat.
3. Duw de hendel om het zaagdieptewiel te vergrendelen.
4. Draai de waterkraan of druk op de waterklep om de watertoevoer te stoppen. Zie *De externe watertoevoer aansluiten op pagina 229*.

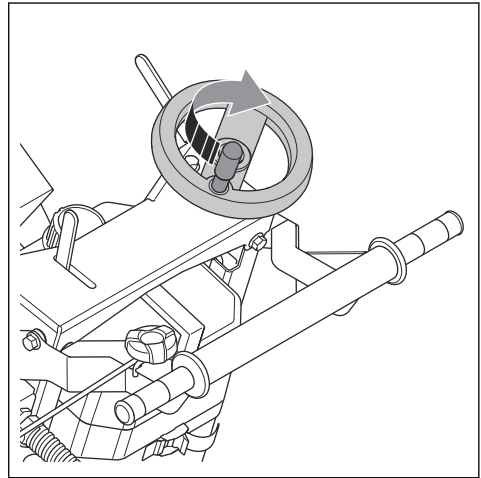
Product stoppen



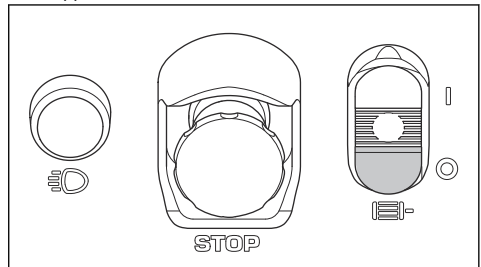
WAARSCHUWING: Het zaagblad blijft nog enige tijd draaien nadat de motor is uitgeschakeld.

Let op: De hendel voor het zaagdieptewiel moet altijd vergrendeld zijn als het zaagdieptewiel niet in gebruik is.

1. Draai het zaagdieptewiel rechtsom om het zaagblad omhoog te heffen. Duw de hefboom om het zaagdieptewiel te vergrendelen.



2. Druk de ON/OFF-knop naar "0" om de motor te stoppen.



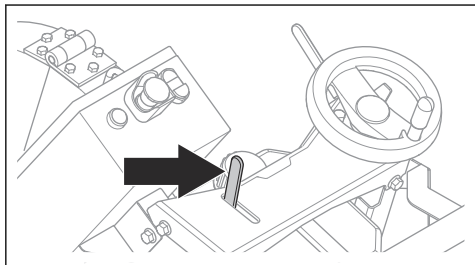
3. Schakel de parkeerremmen in.
4. Haal de stekker uit het stopcontact.

Oppervlakken zagen

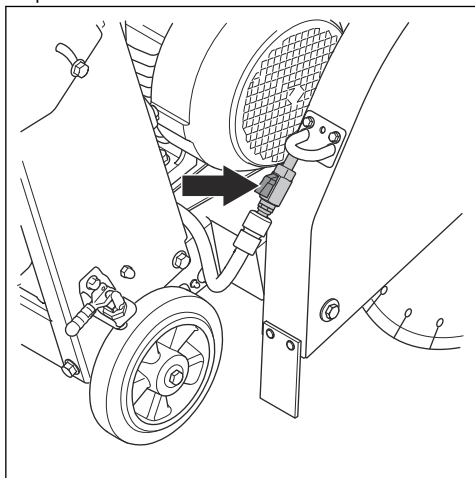
Let op: De hendel voor het zaagdieptewiel moet altijd vergrendeld zijn als het zaagdieptewiel niet in gebruik is.

1. Lijn het zaagblad uit op de markeringen op de grond of de geleidingsnede.

- Als een externe waterslang wordt gebruikt drukt u op de waterklep om het water wel/niet te laten instromen.

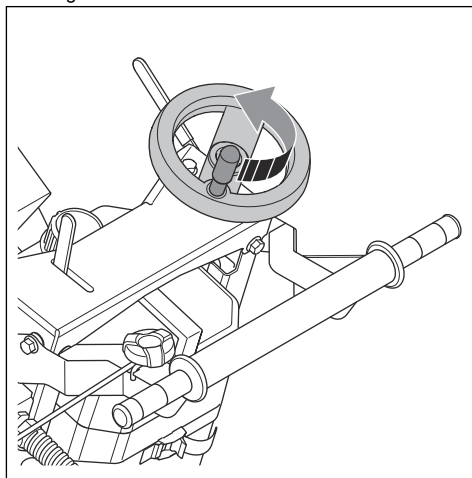


- Draai de waterkraan om de watertoevoer aan te laten passeren.

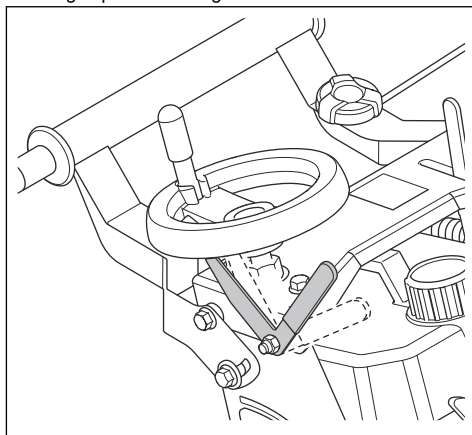


- Controleer de waterstroom. Stel de watertoevoer af indien nodig.
- Start de motor. Zie *Product starten op pagina 229*.

- Draai het zaagdieptewiel langzaam linksom om het zaagblad naar te laten.



- Maak een snede van ongeveer 20 tot 30 mm ter geleiding.
- Snij in stappen van 50 mm totdat u de gewenste diepte hebt bereikt. Duw de hendel om het zaagdieptewiel te vergrendelen.



- Pas de watertoevoer aan als u het product gebruikt. Aan beide zijden van het zaagblad moet voldoende water worden toegevoerd om het zaagblad af te koelen. Het water voorkomt ook stofophoping.
- Zaag uitsluitend in een rechte lijn en lijn het zaagblad uit met de markeringen.
- Duw het product langzaam naar voren en zorg ervoor dat de aanwijzer en het zaagblad zijn uitgelijnd met de markeringen.



OPGELET: Verplaats het product niet van de ene naar de andere kant om het zaagblad uit te lijnen met de markeringen.

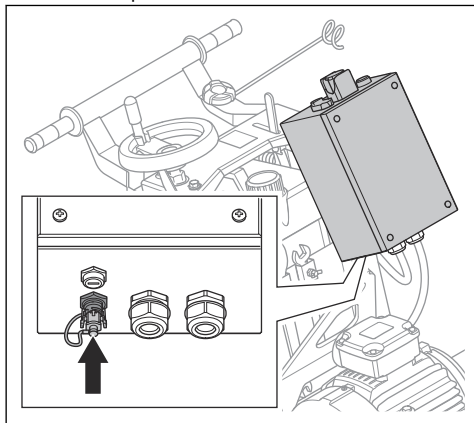
De verlichtingsset gebruiken

De verlichtingsset is een accessoire. Gebruik de 24 V-uitgang voor de werkklamp alleen voor Husqvarna goedgekeurde verlichtingssets.

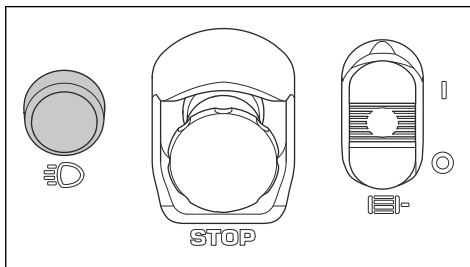


WAARSCHUWING: Kijk niet in de straal.

1. Installeer de verlichtingsset op de 24 V-uitgang voor de werkklamp.



2. Druk de lichtschakelaar om de verlichtingsset in te schakelen.



3. Druk de lichtschakelaar opnieuw om de verlichtingsset uit te schakelen.

Onderhoud

Inleiding



WAARSCHUWING: Zorg dat u het hoofdstuk over veiligheid hebt gelezen en begrepen voordat u onderhoud aan het product gaat uitvoeren.

Voor alle onderhouds- en reparatiewerkzaamheden aan het product is speciale training nodig. Wij garanderen de beschikbaarheid van professionele reparaties en onderhoud. Indien uw dealer geen servicewerkplaats heeft, vraag hem dan naar de dichtstbijzijnde servicewerkplaats.

Neem voor reserveonderdelen contact op met uw dealer of servicewerkplaats van Husqvarna.

Vereiste handelingen voorafgaand aan onderhoud

- Parkeer het product op een vlakke ondergrond en schakel de motor uit. Druk op de machinestopknop op het bedieningspaneel om te voorkomen dat de motor onbedoeld start tijdens het onderhoud.
- Zorg dat het product niet kan bewegen tijdens het onderhoud. Schakel de parkeerremmen in en zet wielblokken achter en voor de wielen.
- Trek altijd de stekker uit het stopcontact voordat u het product reinigt, onderhoudt of monteert.
- Verwijder olie en vuil van het gebied rondom het product. Verwijder ongewenste voorwerpen.
- Plaats duidelijke borden rond het onderhoudsgebied, om omstanders te waarschuwen dat er onderhoudswerkzaamheden worden uitgevoerd.
- Zorg dat brandblussers, medische hulpmiddelen en een noodtelefoon binnen handbereik zijn.

Onderhoudsschema

Onderhoud	Elke dag	Maand- lijks
Reinig de buitenkant van het product met water. Zie <i>Product reinigen op pagina 233</i> .	X	
Voer een algemene inspectie uit. Zie <i>Algemene inspectie uitvoeren op pagina 234</i> .	X	
Controleer de aandrijfriem. De spanning van de aandrijfriem afstellen indien nodig. Zie <i>De spanning van de aandrijfriem afstellen op pagina 234</i> .	X	
Controleer de machinestopknop. Zie <i>De machinestopknop controleren op pagina 220</i> .	X	
Controleer de ON-knop en OFF-knop. Zie <i>De ON-knop en OFF-knop controleren op pagina 220</i> .	X	
Controleer de waterstroom. Als de waterstroom niet voldoende is, moet u het waterfilter controleren. Reinig indien nodig het waterfilter. Zie <i>Het waterfilter reinigen op pagina 233</i> .	X	
Controleer de bladbeschermkappen. Zie <i>De beschermkap controleren op pagina 221</i> .	X	
Controleer het zaagblad. Zie <i>Slijpschijven op pagina 222</i> .	X	
Smeer de geleidebussen en de hefboom voor afstelling van de zaagdiepte. Zie <i>Het product smeren op pagina 234</i> .	X	
Smeer de moer op de aandrijfriemplaat en de as. Zie <i>Het product smeren op pagina 234</i> .		X

Product reinigen



WAARSCHUWING: Draag een veiligheidsbril. Wanneer u het product reinigt, kunnen vuil en schadelijk materiaal uit het product komen.



OPGELET: Een geblokkeerde luchtinlaat leidt tot verminderde prestaties van het product en kan leiden tot oververhitting van de motor.

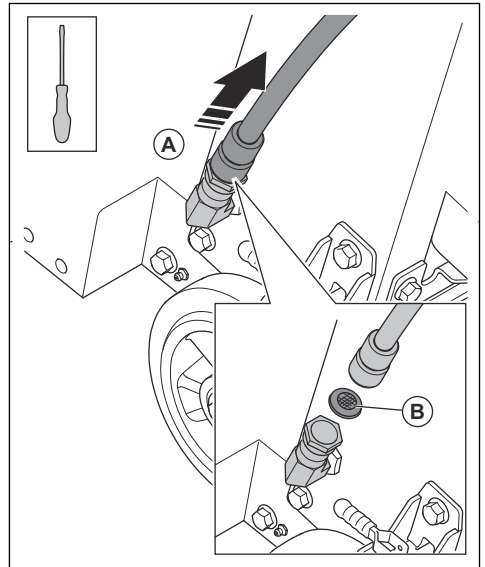
- Laat het product afkoelen voordat u het gaat reinigen.
- Reinig elektrische componenten nooit met water.
- Gebruik een mild reinigingsmiddel. Trek beschermende handschoenen aan om huidirritatie te voorkomen.
- Reinig altijd alle apparatuur aan het einde van de werkdag. Reinig het product niet met een hogedrukspuit.
- Verwijder blokkades van alle luchtopeningen.

Het waterfilter reinigen



OPGELET: Een verstopt waterfilter verlaagt de waterstroom naar het zaagblad en kan ervoor zorgen dat het zaagblad te heet wordt.

1. Koppel de externe slang (A) los van de waterinlaat.



2. Verwijder het waterfilter (B) met een platte schroevendraaier.
3. Controleer het waterfilter. Reinig indien nodig het waterfilter.
4. Installeer het waterfilter en sluit de externe slang aan.

Algemene inspectie uitvoeren

- Controleer of de moeren en schroeven op het product goed zijn vastgedraaid.
- Zorg dat de kabels van het product zich in een positie vinden waarin ze niet beschadigd kunnen raken.
- Inspecteer de elektrische onderdelen op beschadiging. Gebruik een product niet als dit beschadigde elektrische onderdelen heeft.
- Inspecteer de waterslangen op lekkage. Gebruik een product niet als dit beschadigde waterslangen heeft.

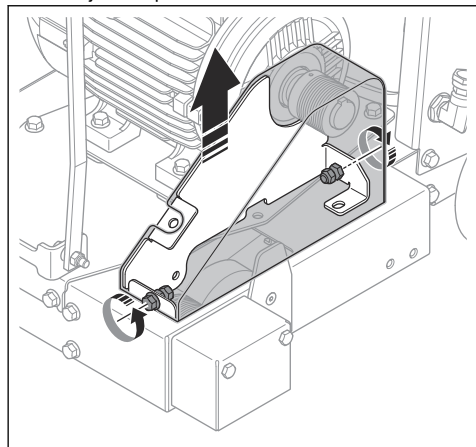
De spanning van de aandrijfriem afstellen



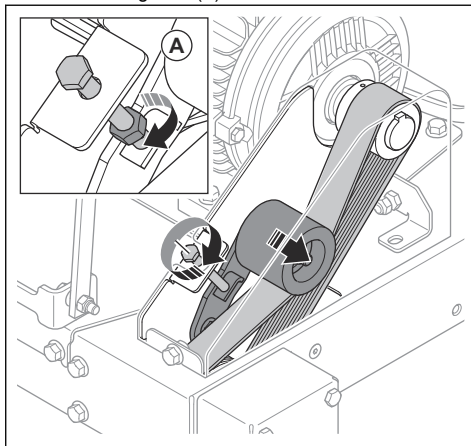
OPGELET: Controleer of de aandrijfriem niet beschadigd is.

De spanning van een nieuwe aandrijfriem moet na 2 uur nogmaals worden afgesteld.

1. Draai de 2 schroeven los en verwijder de aandrijfriemkap.



2. Draai de borgmoer (A) los.



3. Draai de spanschroef om de druk van de poelie tegen de aandrijfriem aan te passen. De spanning van de aandrijfriem is correct als de aandrijfriemfrequentie in de interval is, zoals weergegeven in *Technische gegevens op pagina 237*.
4. Draai de borgmoer vast.
5. Installeer de aandrijfriemkap en haal de 2 schroeven aan.

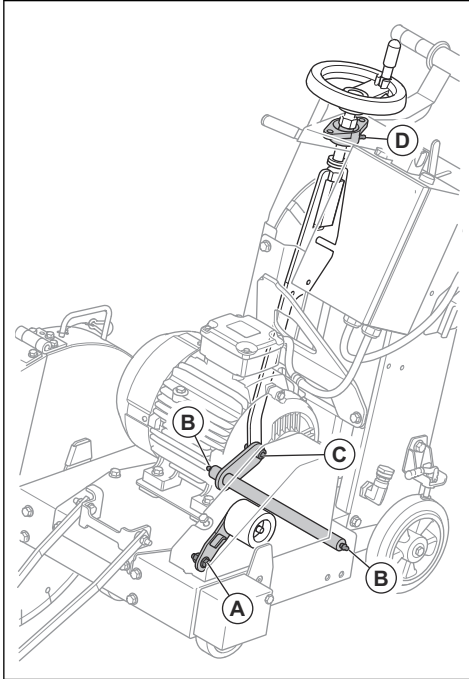
Het product smeren

Let op: De hendel voor het zaagdieptewiel moet altijd vergrendeld zijn als het zaagdieptewiel niet in gebruik is.

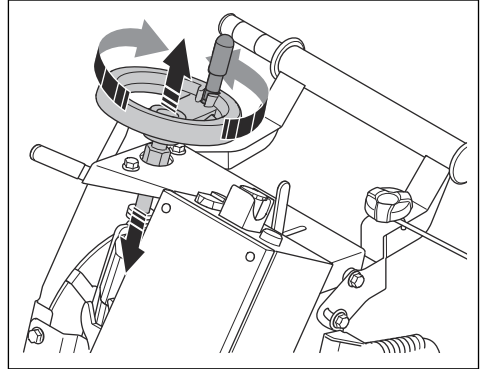
Smeer de hieronder genoemde onderdelen. Smeer totdat het vet zichtbaar is aan de randen. Zie *Technische gegevens op pagina 237* voor het juiste smeervet.

1. Sluit de vetspuit aan op de smeernippel.
2. Smeer de geleidebus (A) op de aandrijfriemplaat met een borstel.

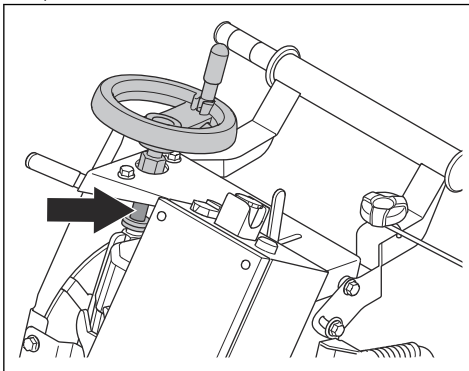
3. Smeer de geleidenbussen (B) aan de linker- en rechterkant van het product. Gebruik een vetspuit.



- b) Draai het zaagdieptewiel rechtsom en weer linksom en smeer dit gelijkmatig. Duw de hendel om het zaagdieptewiel te vergrendelen.



4. Smeer de as (C) met een borstel.
5. Smeer de smeerpunten van de hendel voor afstelling van de zaagdiepte (D). Gebruik een vetspuit.
a) Smeer de as onder de moer.



Probleemoplossing

Het product start niet

- Controleer of de voedingseenheid en de voedingskabels niet zijn beschadigd.
- Controleer de machinestopknop en draai de knop rechtsom om de machinestopknop te ontgrendelen.
- Controleer de foutindicator. Zie *Foutindicator op pagina 236*.

Het product stopt plotseling

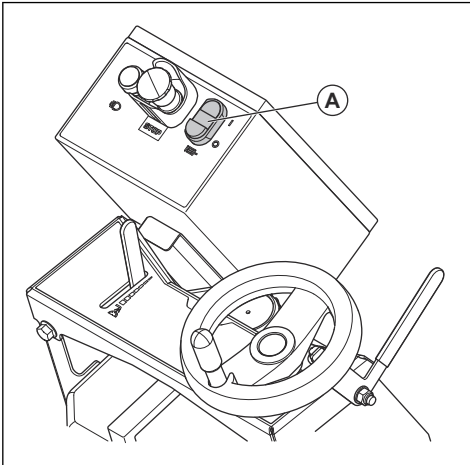
- Als de werklast te hoog is voor het product, wordt de motorbeveiliging ingeschakeld en wordt de motor gestopt. Zie *Foutindicator op pagina 236*.

Het product stopt tijdens het starten

De juiste voedingsspanning is noodzakelijk voor goede motorprestaties. Als te lange verlengsnoeren of verlengsnoeren van een te laag kaliber wordt gebruikt, neemt de kracht van de motor af tijdens het bedrijf.

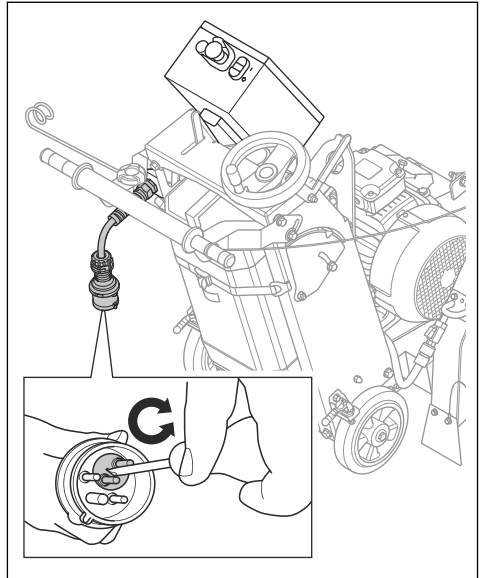
- Als de werklast te hoog is voor het product, wordt de motorbeveiliging uitgeschakeld en wordt de motor gestopt. Zie *Foutindicator op pagina 236*.
- Controleer of de verlengsnoeren niet te lang of van een te laag kaliber zijn. Probeer het product opnieuw te starten.
- Controleer of het zaagmes vrij draait.
- Neem contact op met een erkende onderhoudswerkplaats als het product blijft stoppen tijdens de opstartprocedure.

Foutindicator



De foutindicator (A) gaat branden in de volgende situaties:

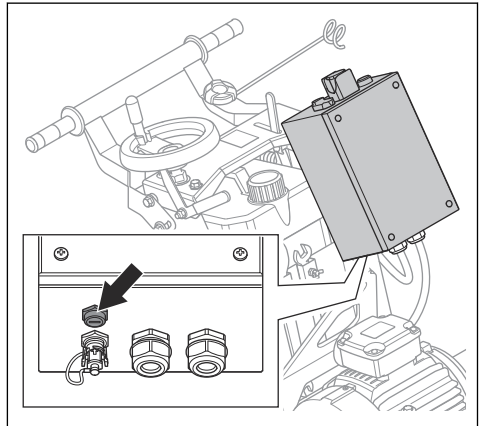
- De motor is overbelast. De motor stopt.
- Er is sprake van een fasefout. De stekker moet worden afgesteld.



Laat de motorbeveiliging afkoelen en de foutindicator uitgaan voordat u de motor weer opnieuw opstart. U moet ongeveer 60 seconden wachten.

De werklamp start niet

- Controleer de zekering voor de werklamp. Als de zekering defect is, moet u deze door een correcte zekering vervangen. Zie *Technische gegevens op pagina 237*.



Vervoer, opslag en verwerking

Transport

- Verwijder het zaagblad voordat u het product gaat vervoeren.
- Dit product is zwaar. Wees voorzichtig wanneer u het product optilt, er bestaat een risico op letsel. Zie *Het product optillen op pagina 237*.
- Houd u aan de speciale vereisten voor commercieel transport.
- Zorg dat het product tijdens vervoer stevig is vastgezet. Zorg ervoor dat het niet kan bewegen.

Het product optillen



WAARSCHUWING: Zorg ervoor dat de hijsapparatuur de juiste afmetingen heeft. Het typeplaatje op het product geeft het gewicht van het product aan.



WAARSCHUWING: Controleer of het hijssoog niet beschadigd is.



WAARSCHUWING: Loop nooit onder een opgeheven product door en blijf er niet onder of in de buurt staan.

- Gebruik correcte hijsapparatuur om het product te hijsen. Hijs het product niet handmatig op.
- Gebruik het hijssoog dat aan het product is bevestigd om het product te hijsen.

- Gebruik laarzen met een stalen neus en antislipzool.

Het product opslaan

- Bewaar het product in een afgesloten ruimte om toegang door kinderen of onbevoegde personen te verhinderen.
- Bewaar dit product altijd binnen.
- Bewaar het product in een droge en vorstvrije ruimte.
- Verwijder het zaagblad uit het product na gebruik. Wanneer u het zaagblad opbergt, moet dit droog zijn.
- Houd het product op een vlakke ondergrond.

Afvoeren

Symbolen op het product of op de verpakking van het product geven aan dat dit product niet beschouwd kan worden als huishoudelijk afval. Het moet worden ingeleverd bij een geschikt inzamelstation voor het terugwinnen van elektrische en elektronische apparatuur.

Als u ervoor zorgt dat dit product goed wordt verwerkt, helpt u mogelijk negatieve gevolgen voor het milieu en mensen door verkeerd afvalbeheer van dit product tegen te gaan. Neem voor meer informatie over het recyclen van dit product contact op met de gemeente, het afvalverwerkingsbedrijf of de winkel waar u het product hebt gekocht.

Technische gegevens

Technische gegevens

Uitgangsvermogen motor, kW	7,5
Nominale spanning, VAC @ frequentie, Hz	3~400 @ 50 (CE) 3~415 @ 50 (AUS)
Nominale stroom, A	15
Voedingsstekker	CEE, 3~, 16A (CE) 56P420, 20A, 500V (AUS)
Max. bladdiameter, mm	600
Max. zaagdiepte, mm	240
Maximumtoerental van de spil (bij nominaal motortoerental 2925 tpm), tpm	1765

Diameter hoofdas, mm	25,4
Diameter zaagbladflens, mm	116
Max. waterdruk, bar	6
Nominaal gewicht (zonder krat), kg	178
Max. bedrijfsgewicht zonder watertank, kg	183
Max. bedrijfsgewicht met volle watertank, kg	214
Smeervet	DIN 51825 vetklasse K2K-30 of K3K-30
Juiste riemspanning, Hz	88-93
Uitgang voor werkklamp, VDC	24
Zekering voor werkklamp, A	4 (5x20 mm)
Aanhaalmoment bladschroef, Nm/ft lbs	100/74

Geluidsniveau

Geluids- en trillingsemissies	
Geluidsvermogeniveau L_{WA} (gemeten), dB (A)	105
Geluidsvermogeniveau L_{WA} (gegarandeerd), dB (A) ²²	107
Geluidsdruk niveau bij het oor van de gebruiker, dB(A) ²³	83
Trillingsniveaus a_{hv} , m/s^2 , rechterhandgreep/linkerhandgreep ²⁴	2,6/3,1

Verklaring inzake geluid- en trillingsemissies

Deze aangegeven waarden zijn verkregen door middel van typeonderzoek in een laboratorium in overeenstemming met de genoemde richtlijn of normen en zijn geschikt voor vergelijking met aangegeven waarden van andere producten die volgens dezelfde richtlijn of normen zijn getest. Deze aangegeven waarden zijn niet geschikt voor gebruik ten behoeve van risicoanalyses. Waarden die worden gemeten op afzonderlijke werkplekken, kunnen hoger zijn. De werkelijke blootstellingswaarden en het risico op letsel dat een individuele gebruiker ondervindt, zijn uniek en zijn afhankelijk van de manier waarop de gebruiker werkt, het materiaal waarvoor het product gebruikt

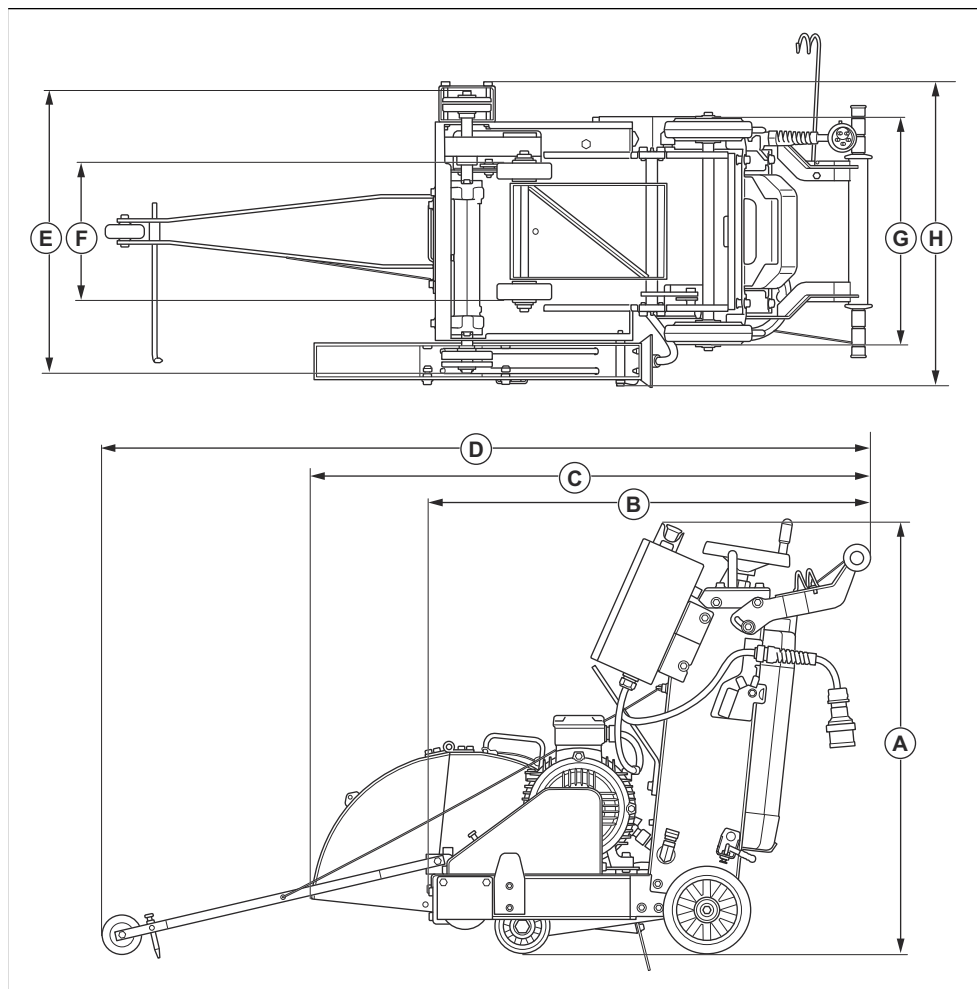
wordt, de blootstellingstijd en de fysieke toestand van de gebruiker en de toestand van het product.

²² Geluidsemissie naar de omgeving gemeten als geluidsvermogen (L_{WA}) volgens EG-richtlijn 2000/14/EG. Het verschil tussen gegarandeerd en gemeten geluidsvermogen is dat het gegarandeerde geluidsvermogen ook spreiding in het meetresultaat omvat en de verschillen tussen de verschillende machines van hetzelfde model conform Richtlijn 2000/14/EG.

²³ Geluidsdruk niveau volgens EN 13862. De gerapporteerde gegevens voor het geluidsdruk niveau vertonen een typische statistische spreiding (standaardafwijking) van 2,5 dB (A)

²⁴ Trillingsniveau volgens EN 13862. De gerapporteerde gegevens voor een trillingsniveau vertonen een typische statistische spreiding (standaardafwijking) van 1 m/s^2

Productafmetingen



S	Hoogte, mm	985	E	Min. breedte (beschermkap is niet geïnstalleerd), mm	645
B	Min. lengte (aanwijzer omhoog en beschermkap of zaagblad is niet geïnstalleerd), mm	1010	F	Breedte voorwiel, mm	320
R	Lengte (aanwijzer omhoog en beschermkap is geïnstalleerd), mm	1275	G	Breedte achterwiel, mm	520

D	Max. lengte (aanwijzer om- laag), mm	1750	H	Max. breedte (beschermkap is geïnstalleerd), mm	700
----------	---	------	----------	--	-----

Accessoires

Goedgekeurde Husqvarna accessoires

- Verlichtingsset.
- Watertank.

Verklaring van overeenstemming

EU-verklaring van overeenstemming

Wij, Husqvarna AB, SE561 82 Huskvarna, SWEDEN,
Tel: +46- 36-146500, verklaren onder onze
verantwoordelijkheid dat het product:

Beschrijving	Vloerzaagmachine
Merk	HUSQVARNA
Type/model	FS 600 E
Identificatie	Serienummers vanaf 2021 en verder

volledig voldoet aan de volgende EU-richtlijnen en
-regelgeving:

Richtlijn/Verordening	Beschrijving
2006/42/EC	"betreffende machines"
2014/30/EU	"betreffende elektromagnetische compatibiliteit"
2000/14/EC	"betreffende geluid buitenshuis"
2011/65/EU	"betreffende beperking van gevaarlijke stoffen"

en dat de volgende normen en/of technische
specificaties zijn toegepast:

EN ISO 12100:2010

EN 13862:2001+A1:2009

EN 55014-1:2021

EN 61000-6-2:2019

EN 61000-3-2:2019+A1:2021

EN 61000-3-3:2013+A1:2019

EN IEC 63000:2018

Conformiteitsbeoordelingsprocedure volgens
2000/14/EG: Bijlage V.

Voor informatie over geluidsemisies, zie *Technische
gegevens op pagina 237*.

Partille, 2021-12-08

Erik Silfverberg

Directeur R&D, Betonzagen en -boormachines

Husqvarna AB, Construction-divisie

Verantwoordelijk voor technische documentatie



A handwritten signature in black ink, appearing to be 'Erik Silfverberg', is located at the bottom left of the page.

INNHold

Innledning.....	242	Transport, oppbevaring og avhending.....	265
Sikkerhet.....	246	Tekniske data.....	266
Drift.....	251	Tilbehør.....	269
Vedlikehold.....	261	Samsvarserklæring.....	270
Feilsøking.....	264		

Innledning

Produktbeskrivelse

Produktet er en elektrisk gå-bak-gulvsag.

Bruksområder

Dette produktet brukes med diamantsagblad for våtkapping ved skjæring av harde gulvflatematerialer,

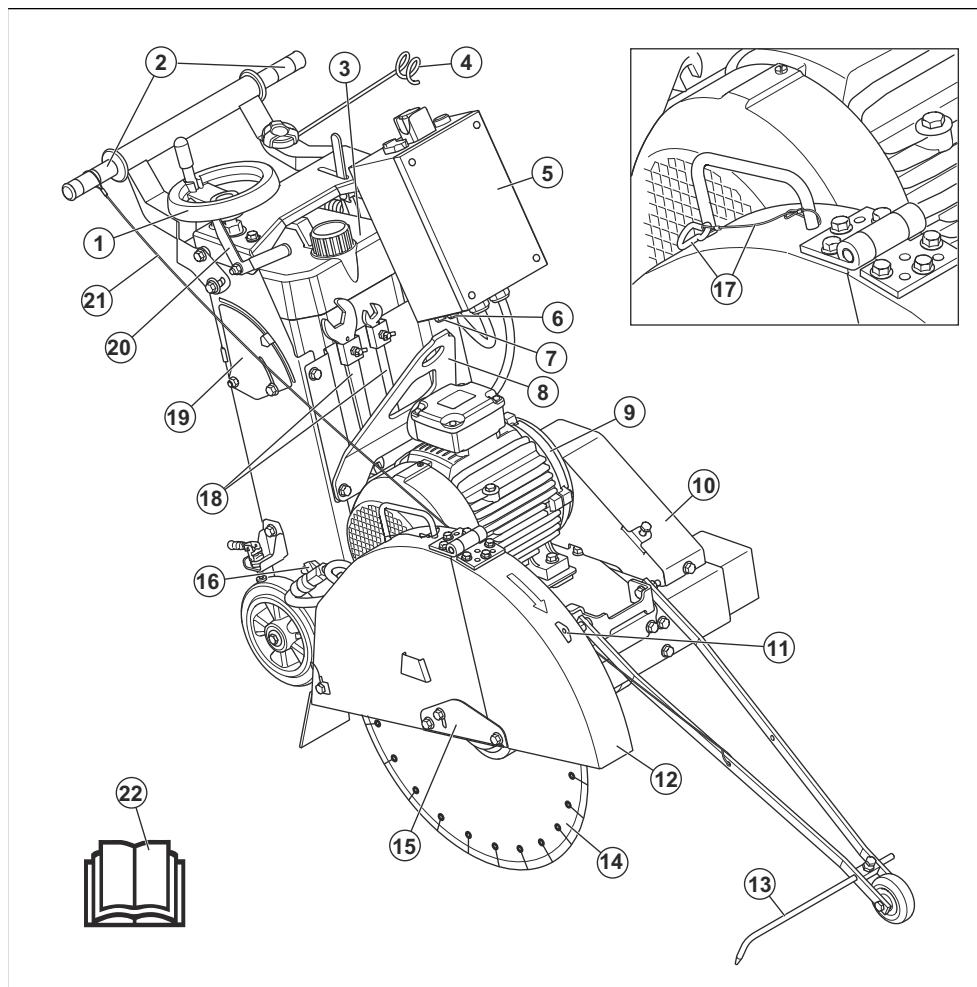
f.eks. betong, asfalt og stein. Produktet skal ikke brukes på andre måter.

Produktet skal brukes i industrivirksomhet av brukere med erfaring.

Ikke bruk produktet utendørs eller under våte forhold.

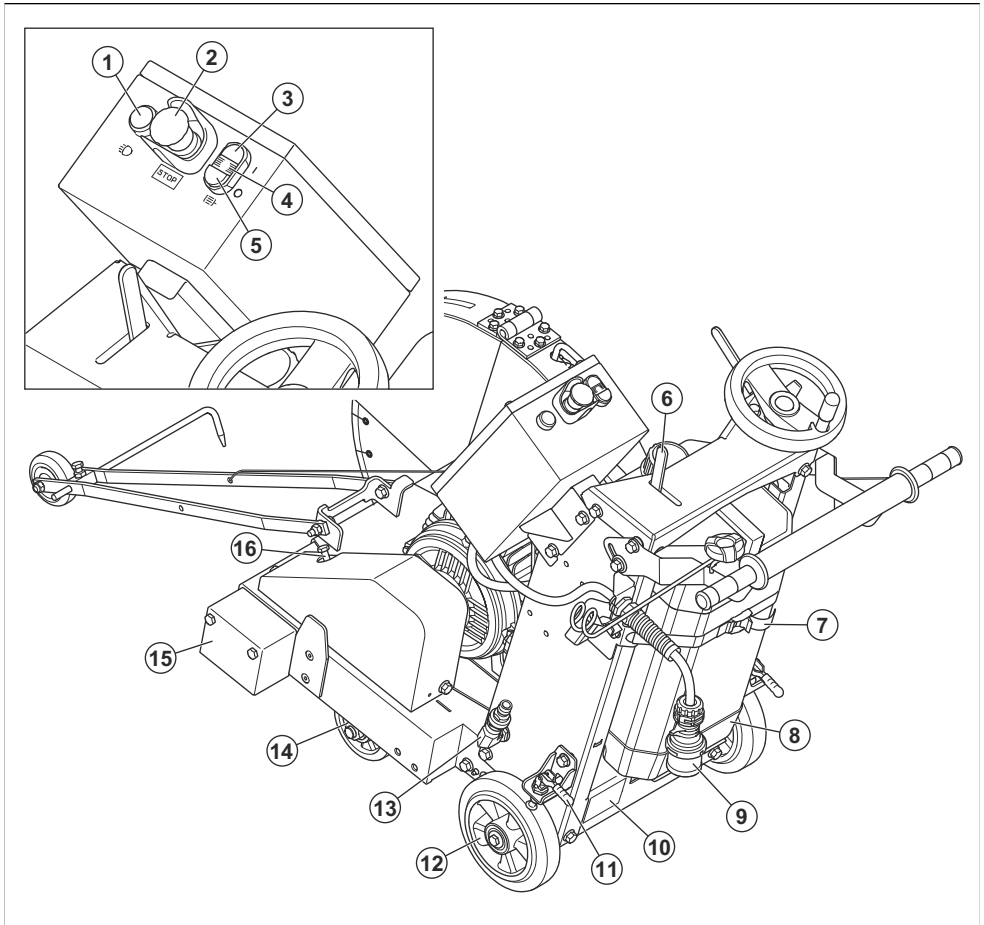
Produktet er kun ment til bruk innendørs.

Produktoversikt, høyre side



- | | |
|--------------------------------------|----------------------------------|
| 1. Hjul for skjæredybde | 12. Skivebeskyttelse |
| 2. Håndtak | 13. Peger |
| 3. Vanntank og lokk (tilleggsutstyr) | 14. Blad (medfølger ikke) |
| 4. Kabel- og slangefører | 15. Bladbeskyttelseslås |
| 5. Elektronikkboks | 16. Vannkran |
| 6. Sikring for arbeidslys | 17. Wire og karabinkrok |
| 7. Uttak for arbeidslys | 18. Serviceverktøy |
| 8. Løfteøye | 19. Indikator for skjæredybde |
| 9. Motor | 20. Spak for å låse skjæredybden |
| 10. Deksel til drivrem | 21. Pekersnor |
| 11. Brakett for karabinkroken | 22. Bruksanvisning |

Produktoversikt, venstre side



1. Lysbryter for arbeidslys (lysettet tilleggustyr)
2. Maskinstoppknapp
3. PÅ-knapp
4. Feilindikator
5. AV-knapp
6. Vannventil
7. Rem til vanntank
8. Vanntank (tilleggustyr)
9. Støpsel
10. Typeskilt
11. Parkeringsbrems
12. Bakhjul
13. Vanninntak og vannfilter
14. Forhjul
15. Flensedeksel

16. Strammeskrue, drivrem

Symboler på produktet



ADVARSEL: Dette produktet kan være farlig og føre til alvorlig personskade eller død for brukeren eller andre. Vær forsiktig, og bruk produktet riktig.



Les bruksanvisningen nøye, og forsikre deg om at du forstår instruksjonene før du bruker produktet.



Fare for kuttskader. Hold alle kroppsdeler unna sagbladet.



Hold kroppsdelenes unna sagbladet og andre bevegelige deler.



Kontroller at sagbladet ikke er sløvt eller har skader, for eksempel sprekker.



Bladbeskyttelsene må alltid være montert på produktet. Ikke la mer enn 180° av sagbladet vises.



Kontroller at sagbladet er beregnet for en hastighet som er lik eller høyere enn den som er angitt på produktet. Et sagblad som kjøres ved for høy hastighet, kan knekke og forårsake personskaade eller skade.



ADVARSEL: Støvet kan føre til helseproblemer. Bruk godkjent åndedrettsvern. Sørg alltid for god ventilasjon.



ADVARSEL: Ikke se inn i strålen. Denne advarselen gjelder bare når lyssettet er montert.



Bruk hørselsvern, vernebriller og åndedrettsvern. Se *Personlig verneutstyr på side 249*.



Fare for elektrisk støt: Inspeksjon og/eller vedlikehold må utføres når motoren er slått av og støpselet er koblet fra.



All forflytning av maskinen utenfor skjæreområdet skal utføres når verktøyet ikke roterer.



Fjern sagbladet før transport, når du løfter, setter på eller tar av produktet.



Pilen på bladbeskyttelsen viser hvilken retning sagbladet roterer.



Koble inn/ut parkeringsbremsene.



Fyll kun vann i beholderen.



Ventil for vannkølesystem for sagbladet.



Heve-/senkekontroll for justering av skjæredybde.



Løft alltid produktet etter løftepunktet.



Beskyttende jording.



PÅ-knapp.



AV-knapp.



Maskinstoppknapp.



Lysbryter for arbeidslys.



AV/PÅ-knapp for motor, feilindikator.



Merking for støutslipp til miljøet i henhold til EU- og UK-direktiver og -forskrifter. Garantert lydeffektivnivå for produktet er angitt i *Lydnivåer på side 267, Samsvarserklæring på side 270* og på etiketten.



Fare for elektrisk støt. Service på dette utstyret skal utføres av godkjent personell.



Dette produktet samsvarer med gjeldende EF-direktiver.



Dette produktet samsvarer med gjeldende britiske direktiver.



Produktet og produktemballasjen er ikke restavfall. Lever det til et godkjent gjenvinningsanlegg for elektrisk og elektronisk utstyr.

Typeskilt

1		2	
4		Husqvarna AB, S-561 82, Husqvarna, Sweden	3
ARTICLE NO.		Made in China	
5			
SERIAL NO. (HID)		6	
7	9	12	
	10	13	Ø
8	11	14	
15			

2. Produsentens adresse
3. QR-kode som kan skannes
4. Typebetegnelse
5. Artikkelnnummer
6. Serienummer
7. Produktvekt, kg
8. Produksjonsdato, år/måned
9. Spenning: 3-faset vekselstrøm, V
10. Frekvens, Hz
11. Merkestrøm, A
12. Motoreffekt, kW
13. Bladets maksimale diameter, mm
14. Maks. spindelhastighet, n/min
15. Mer informasjon

Produktansvar

Som nevnt i lovverket om produktansvar er vi ikke ansvarlig for skader som produktet vårt forårsaker, i følgende tilfeller:

- Produktet er reparert på feil måte.
- Produktet er reparert med deler som ikke kommer fra produsenten eller som ikke er godkjent av produsenten.
- Produktet har et tilbehør som ikke kommer fra produsenten eller som ikke er godkjent av produsenten.
- Produktet er ikke reparert på et godkjent servicesenter eller av en godkjent aktør.

1. Produsent

Sikkerhet

Sikkerhetsdefinisjoner

Advarsler, oppfordringer og merknader brukes for å understreke spesielt viktige deler av bruksanvisningen.



ADVARSEL: Brukes hvis det er fare for personskade eller død for brukeren eller andre personer om instruksjonene i håndboken ikke følges.



OBS: Brukes hvis det er fare for skade på produktet, annet materiell eller nærliggende områder om instruksjonene i håndboken ikke følges.

Merk: Brukes for å gi mer nødvendig informasjon for en spesifikk situasjon.

Generelle sikkerhetsadvarsler for elektroverktøy



ADVARSEL: Les alle sikkerhetsadvarsler, -instruksjoner, -illustrasjoner og spesifikasjoner som fulgte med dette elektroverktøyet. Hvis du ikke følger alle instruksjonene som er angitt nedenfor, kan det føre til elektrisk støt, brann og/eller alvorlige skader.

Ta vare på alle advarsler og instruksjoner for fremtidig bruk. Begrepet «el-verktøy» i advarslene referer til elektrisk verktøy som drives av nettstrøm (med ledning) eller batteri (uten ledning).

Sikkerhet i arbeidsområdet

- **Hold arbeidsområdet rent og godt opplyst.** Rot og dårlig opplyste områder kan lett føre til ulykker.
- **Bruk ikke el-verktøy i eksplosiv atmosfære, for eksempel der det finnes brennbare væsker, gasser eller støv.** El-verktøy danner gnister som kan antenne støv eller gasser.

- **Hold barn og andre tilskuere på avstand når el-verktøyet er i bruk.** Distraksjoner kan føre til at du mister kontrollen.

El-sikkerhet

- **Støpselet til elektroverktøyet må passe til stikkkontakten.** Du må aldri modifisere støpselet på noen måte. Ikke bruk adapterstøpsler. Når støpselet ikke er modifisert og stikkkontakten passer, vil dette redusere faren for elektrisk støt.
- **Unngå kroppskontakt med jordede flater, for eksempel rør, radiatorer, komfyrer og kjøleskap.** Faren for elektrisk støt øker hvis kroppen til brukeren er jordnet.
- **Elektroverktøy må ikke utsettes for regn eller fuktighet.** Hvis det kommer vann inn i elektroverktøyet øker faren for elektrisk støt.
- **Ledningen må håndteres forsiktig.** Bruk aldri ledningen til å bære eller trekke noe, eller til å trekke ut støpselet til elektroverktøyet. Hold ledningen unna varme, olje, skarpe kanter og bevegelige deler. Skadde eller sammenflokete ledninger øker faren for elektrisk støt.
- **Når et elektroverktøy brukes, må det anvendes en skjøteledning som er egnet for bruk utendørs.** Bruk av ledning for utendørs bruk reduserer faren for elektrisk støt.
- **Når elektroverktøyet brukes, må det alltid være koblet til en strømkrets som er beskyttet av jordfeilbryter (RCD).** Bruk av jordfeilbryter reduserer faren for elektrisk støt.
- **Kontroller at spenningen til stikkkontakten samsvarer med spenningen som er angitt på typeskiltet til produktet.** Se *Typeskilt på side 246*.

Personlig sikkerhet

- **Vær oppmerksom, følg med på det du gjør, og utvis sunn fornuft når du bruker elektroverktøyet.** Ikke bruk elektroverktøy hvis du er trett eller påvirket av narkotika, alkohol eller legemidler. Et øyeblikks uoppmerksomhet ved bruk av elektroverktøy kan føre til alvorlig personskade.
- **Bruk personlig verneutstyr.** Bruk alltid vernebriller. Bruk av verneutstyr som støvmaske, vernesko med antisklisåle, hjelm og hørselvern der det kreves, reduserer faren for personskade.
- **Unngå utilsikket oppstart.** Forsikre deg om at bryteren står i av-stillingen før du kobler til strømforsyningen og/eller batteripakken, tar opp verktøyet eller bærer verktøyet. Hvis du bærer verktøyet med en finger på bryteren eller med elektroverktøyet påslått, kan det lett føre til ulykker.
- **Fjern eventuelle justeringsnøkler før du slår på elektroverktøyet.** En nøkkel som sitter på en roterende del av elektroverktøyet, kan føre til personskade.
- **Ikke strekk deg for langt.** Hold alltid føttene på bakken og en balansert stilling. Dette gir deg bedre kontroll over elektroverktøyet i uventede situasjoner.

- **Bruk egnede klær.** Bruk ikke løstsittende klær eller smykker. Hold hår og klær borte fra bevegelige deler. Løstsittende klær, smykker eller langt hår kan sette seg fast i bevegelige deler.
- **Hvis apparatet er forsynt med tilkobling for støvsuger eller oppsamlar, må du forsikre deg om at disse er riktig tilkoblet og brukes på riktig måte.** Bruk av støvoppsamlar kan redusere faren for støvrelaterede skader.
- **Selv om du har lang erfaring med bruk av elektroverktøy, må du ikke bli uforsiktig eller ignorere sikkerhetsreglene.** En uforsiktig handling kan føre til alvorlig personskade i løpet av en brøkdell av et sekund.

Bruk og vedlikehold av elektroverktøy

- **Bruk ikke makt på elektroverktøyet.** Bruk riktig elektroverktøy for arbeidet som skal utføres. Riktig elektroverktøy gjør jobben på en bedre og sikrere måte i den hastigheten det er konstruert for.
- **Bruk ikke elektroverktøyet hvis bryteren ikke lar seg slå på og av.** Elektroverktøy som ikke kan kontrolleres med bryteren, er farlig, og må repareres.
- **Koble støpselet fra strømforsyningen og/eller batteripakken fra elektroverktøyet, hvis den er avtakbar, før du foretar justeringer, skifter tilbehør eller lagrer elektroverktøyet.** Slike forebyggende sikkerhetstiltak reduserer faren for at elektroverktøyet starter ved et uhell.
- **Elektroverktøy som ikke er i bruk, må oppbevares utlignelig for barn.** La ikke elektroverktøyet brukes av personer som ikke er kjent med elektroverktøyet eller disse instruksjonene. Elektroverktøy er farlige når de brukes av uerfarne brukere.
- **Vedlikehold elektroverktøy og tilbehør.** Kontroller justeringen av bevegelige deler, samt at de ikke sitter fast. Kontroller at det ikke finnes ødelagte deler eller andre feil som kan påvirke bruken av elektroverktøyet. Hvis elektroverktøyet er skadet, må det repareres før bruk. Mange ulykker forårsakes av dårlig vedlikeholdt elektroverktøy.
- **Hold skjæreverktøy skarpe og rene.** Riktig vedlikeholdte skjæreverktøy med skarpe skjærekanter har mindre fare for å sette seg fast, og er lettere å kontrollere.
- **Bruk elektroverktøyet, tilbehør og verktøybits osv. i henhold til disse instruksjonene, og i forhold til arbeidsforholdene og arbeidet som skal utføres.** Bruk av elektroverktøy til andre oppgaver enn dem de er laget for, kan føre til farlige situasjoner.
- **Hold håndtakene og gripeflatene tørre, rene og frie for olje og fett.** Glatte håndtak og gripeflater gjør trygg håndtering og kontroll av verktøyet i uventede situasjoner umulig.

Service

- **La en kvalifisert tekniker/reparatør utføre service, og gjøre eventuelle utskiftninger kun med identiske**

reservedeler. Dette sikrer at elektroverktøyets sikkerhet opprettholdes.

Generelle sikkerhetsinstruksjoner



ADVARSEL: Les de følgende advarselinstruksjonene før du bruker produktet.

- Dette produktet er et farlig verktøy hvis du ikke er forsiktig, eller hvis du bruker produktet på feil måte. Dette produktet kan føre til alvorlig personskade eller død for operatøren eller andre. Før du bruker dette produktet, må du ha lest og forstått innholdet i denne bruksanvisningen.
- Ta vare på alle advarsler og instruksjoner.
- Følg alle gjeldende lover og forskrifter.
- Operatøren og operatørens arbeidsgiver må kjenne til og forhindre risiko som bruk av produktet medfører.
- Ikke la en person bruke produktet med mindre de har lest og forstått innholdet i bruksanvisningen.
- Ikke bruk produktet med mindre du har fått opplæring før bruk. Pass på at alle brukerne får opplæring.
- Ikke la barn bruke produktet.
- Bare la godkjente personer bruke produktet.
- Brukeren er ansvarlig for ulykker som personer eller eiendeler utsettes for.
- Ikke bruk produktet dersom du er trett eller syk eller under påvirkning av alkohol, andre rusmidler eller medisiner.
- Vær alltid forsiktig, og bruk sunn fornuft.
- Dette produktet danner et elektromagnetisk felt når det er i bruk. Dette feltet kan under visse forhold forstyrre aktive eller passive medisinske implantater. For å redusere faren for alvorlig eller livstruende personskade anbefaler vi at personer med medisinske implantater rådfører seg med legen sin og produsenten av det medisinske implantatet før de bruker dette produktet.
- Hold produktet rent. Sørg for at du kan lese skilt og merker.
- Ikke bruk produktet hvis det er defekt.
- Ikke modifiser dette produktet.
- Ikke bruk produktet hvis det er fare for at andre personer har modifisert produktet.

Sikkerhetsinstruksjoner for drift



ADVARSEL: Les de følgende advarselinstruksjonene før du bruker produktet.

- Les advarselen som følger med sagbladet fra produsenten av sagbladet.

- Produktet må bare kobles til en strømforsyning som er beskyttet av en sikring eller en automatsikring på maksimalt 30 A.
- Kontroller at produktet er riktig montert.
- Ikke bruk produktet hvis bladbeskyttelsen og beskyttelsesdekelet ikke er montert og festet riktig.
- Ikke bruk produktet hvis bladbeskyttelsen foran er løftet. Bladbeskyttelsen foran må senkes, og låses og festes riktig.
- Feil bruk av produktet kan føre til at sagbladet går i stykker og forårsaker personskader eller materielle skader.
- Sørg for at du vet hvordan du stopper motoren raskt i en nødsituasjon.
- Bruk personlig verneutstyr. Se *Personlig verneutstyr på side 249*.
- Pass på at bare godkjente personer befinner seg i arbeidsområdet.
- Sørg for at strømledninger på arbeidsområdet ikke er strømførende.
- Før du bruker produktet, må du sjekke om det finnes skjulte ledninger, kabler og rør på arbeidsområdet. Hvis produktet treffer en skjult gjenstand, må du stoppe motoren umiddelbart og undersøke produktet og objektet. Ikke bruk produktet igjen før du vet at det er trygt å fortsette.
- Sørg for at du står trygt og stabilt under bruk.
- Produktet kan slynge ut gjenstander i høy hastighet. Sørg for at alle personer i arbeidsområdet bruker godkjent personlig verneutstyr. Fjern løse gjenstander fra arbeidsområdet.
- Før du forlater produktet, må du stoppe motoren og sørge for at det ikke er fare for utilsiktet start.
- Ikke forlat produktet uten at parkeringsbremsen er koblet inn.
- Vær svært forsiktig når du bruker produktet i skråninger. Produktet er tungt og kan forårsake alvorlige skader hvis det velter eller beveges for raskt.
- Forsikre deg om at ingen materialer kan løsne og skade brukeren.
- Pass på at klær, langt hår og smykker ikke hekter seg fast i bevegelige deler.
- Ikke bruk produktet med mindre du kan få hjelp hvis det skjer en ulykke.
- Flytt vannbeholderen til en trygg avstand fra produktet når du fyller vannbeholderen.

Instruksjoner for jordet produkt



ADVARSEL: Feil jordingsforbindelse kan føre til elektrisk støt. Kontakt en godkjent elektriker hvis du ikke er sikker på om strømuttaket er riktig jordet.

Ikke modifiser støpselet slik at det avviker fra fabrikkspesifikasjonene. Kontakt Husqvarna-serviceverkstedet, hvis støpselet

eller strømledningen er skadet eller må skiftes ut. Følg lokale lover og forskrifter.

Hvis du ikke forstår instruksjonene om jordet produkt fullstendig, må du rådføre deg med en godkjent elektriker.

Det skal bare brukes jordede utendørs skjøteledninger med jordstøpsler og jordingskontakt som passer til produktets støpsel.

Produktet har jordet strømledning og støpsel. Du må alltid koble produktet til et jordet strømuttak. Dette reduserer faren for elektrisk støt hvis det oppstår en feil.

Ikke bruk strømadaptere med dette produktet.

Personlig verneutstyr



ADVARSEL: Les de følgende advarelinstruksjonene før du bruker produktet.

- Benytt alltid godkjent verneutstyr når du bruker produktet. Verneutstyr kan aldri fullstendig forhindre skade, men det reduserer skadeomfanget hvis ulykken inntreffer. Spør forhandleren din om hjelp til å velge riktig personlig verneutstyr.
- Kontroller regelmessig tilstanden til det personlige verneutstyret.
- Bruk godkjent vernehjelm.
- Bruk godkjent hørselsvern.
- Bruk godkjent åndedrettsvern.
- Bruk godkjent øyevern med sidebeskyttelse. Det er stor fare for øyeskade på grunn av gjenstander som slynges ut.
- Bruk vernehansker.
- Bruk støvler med ståltupp og sklisikker såle.
- Bruk bare godkjente arbeidsklær eller tilsvarende tettstående klær som har lange ermer og lange ben.

Brannslukkingsapparat

- Ha et brannslukkingsapparat i nærheten under bruk.
- Bruk et pulverapparat eller et CO₂-brannslukkingsapparat.

Sikkerhetsutstyr på produktet

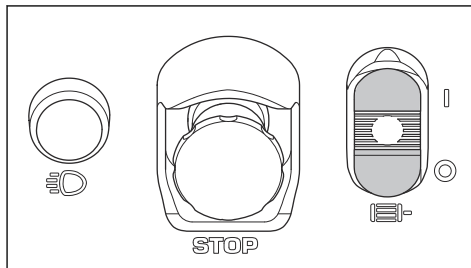


ADVARSEL: Les de følgende advarelinstruksjonene før du bruker produktet.

- Ikke bruk produktet dersom sikkerhetsutstyret er defekt.
- Utfør regelmessig kontroll av sikkerhetsutstyret. Ta kontakt med ditt Husqvarna-serviceverksted, dersom sikkerhetsutstyret er defekt.

PÅ-knapp og AV-knapp

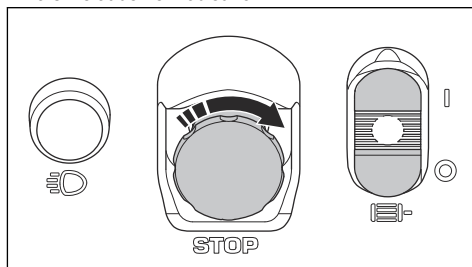
PÅ-knappen (I) og Av-knappen (O) brukes til å starte og stoppe motoren.



Slik kontrollerer du PÅ-knappen og AV-knappen

Merk: Hvis produktet ikke starter, kan du se *Produktet starter ikke på side 264*.

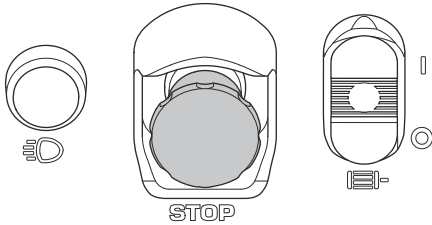
1. Koble produktet fra nettstrømuttaket.
2. Kontroller at sagbladet er rett over bakken.
3. Kontroller at sagbladet og bladflensen er godt festet, og at bladbeskyttelsen er riktig montert. Se *Slik monterer du et sagblad på side 252* og *Slik monterer du bladbeskyttelsen på side 254*.
4. Koble produktet med en skjøteledning til nettstrømuttaket.
5. Vri maskinstoppknappen (STOP) med urviseren for å sikre at den er koblet fra.



6. Skyv PÅ/AV-knappen til «I» for å starte produktet.
7. Vent i 5 sekunder for å at produktet skal få riktig turtall.
8. Skyv PÅ/AV-knappen til «O», og kontroller at motoren stopper.

Maskinstoppknapp

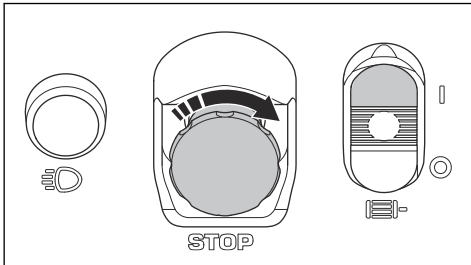
Maskinstoppknappen (STOP) stopper motoren.
Maskinstoppknappen slår ikke av lysene.



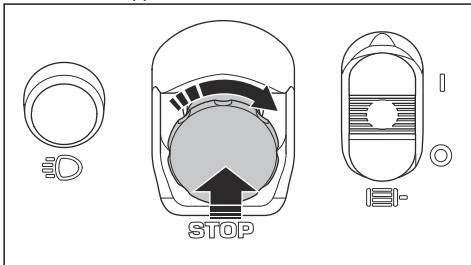
Merk: Bruk ikke maskinstoppknappen til å stoppe produktet med mindre det er en nødsituasjon. Riktig fremgangsmåte for å stoppe produktet under drift finner du under *Slik stopper du produktet på side 259*.

Slik kontrollerer du maskinstoppknappen

1. Koble produktet fra nettstrømuttaket.
2. Kontroller at sagbladet er rett over bakken.
3. Kontroller at sagbladet og bladflensen er godt festet, og at bladbeskyttelsen er riktig montert. Se *Slik monterer du et sagblad på side 252* og *Slik monterer du bladbeskyttelsen på side 254*.
4. Koble støpselet på produktet til strømuttaket.
5. Vri maskinstoppknappen (STOP) med urviseren for å sikre at den er koblet fra.



6. Skyv PÅ/AV-knappen til «I» for å starte produktet.
7. Trykk på maskinstoppknappen, og kontroller at motoren stopper.



8. Vri maskinstoppknappen med urviseren for å koble den ut.

Knivbeskyttelse



ADVARSEL: Ikke bruk produktet uten bladbeskyttelse eller hvis bladbeskyttelsen er defekt. Kontroller at bladbeskyttelsen er riktig montert og festet før du starter produktet.

Bladbeskyttelsen forhindrer at deler av bladet eller materialet som skjæres, skal slynges mot brukeren.

Slik kontrollerer du bladbeskyttelsen

- Kontroller at bladbeskyttelsen er riktig montert og festet. Se *Slik monterer du bladbeskyttelsen på side 254*.
- Undersøk bladbeskyttelsen for skader og sprekker.
- En skadet bladbeskyttelse må alltid skiftes.
- En bladbeskyttelse som har fått slag, er bøyd eller har andre defekter, må alltid skiftes.

Deksel til drivrem

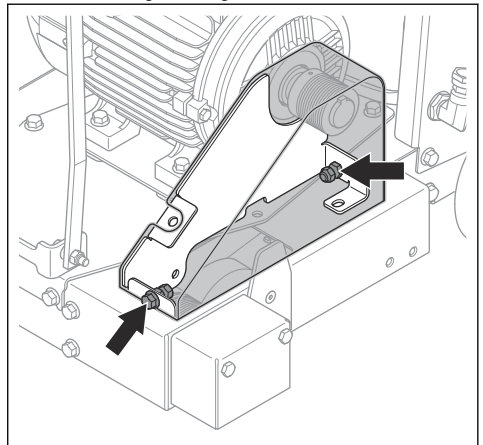


ADVARSEL: Ikke bruk produktet uten drivremdeksel eller hvis drivremdekslet er defekt. Kontroller at drivremdekslet er riktig montert og festet før du starter produktet.

Drivremdekslet beskytter mot trinsene og drivremmen.

Slik kontrollerer du drivremdekslet

- Kontroller at drivremdekslet ikke er skadet eller har sprekker. Bytt ut drivremdekslet ved behov.
- Kontroller at de to skruene på drivremdekslet er skrudd fast og skikkelig strammet.



Sikkerhetsinstruksjoner for vedlikehold

- Hold alle deler i god stand, og sørg for at alle festepunkter er skikkelig strammet.
- Ikke bruk produktet hvis det er defekt. Utfør sikkerhetskontrollene, og følg vedlikeholds- og serviceinstruksjonene i denne bruksanvisningen. Alt annet vedlikehold må utføres av et godkjent serviceverksted.

- Stopp motoren og koble fra strømkontakten når du erstatter diamantverktøyene.
- Utfør inspeksjonen og/eller vedlikeholdet med motoren stoppet og støpselet frakoblet.
- Utfør nødvendig vedlikehold for å sikre at produktet fungerer som det skal. Se *Vedlikeholdsskjema på side 262*.

Drift

Innledning



ADVARSEL: Les og forstå kapittelet om sikkerhet før du bruker produktet.

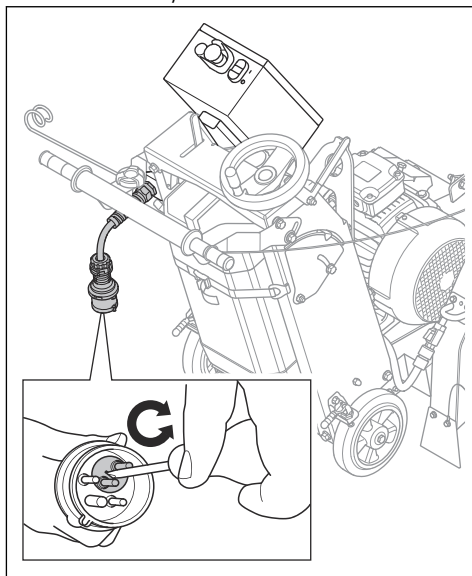
Dette må du gjøre før du bruker produktet



OBS: Ikke bruk en skjøteledning som er lengre enn 25 m eller kortere enn 2,5 mm².

- Les nøye gjennom bruksanvisningen, og sørg for at du har forstått instruksjonene.
- Les instruksjonene som følger med sagbladet fra produsenten av sagbladet.
- Hver gang du skal bruke produktet, må du først gjøre dette:
 - a) Utfør daglig ettersyn. Se *Vedlikeholdsskjema på side 262*.
 - b) Strek opp alle skjærelinjer. Planlegg arbeidsrekkefølgen nøye for å forhindre personskader og materielle skader.
 - c) Kontroller at sagbladet og bladbeskyttelsen er riktig installert. Se *Slik monterer du et sagblad på side 252* og *Slik monterer du bladbeskyttelsen på side 254*.
 - d) Juster håndtaket til en aktuell driftsstilling. Se *Slik justerer du høyden på håndtaket på side 252*.
 - e) Fyll vannbeholderen, eller koble til den eksterne vannforsyningen. Se *Slik fyller du vanntanken på side 257* og *Slik kobler du til ekstern vannforsyning på side 258*.
 - f) Kontroller at vannrøret på bladbeskyttelsen er åpen. Hver side av sagbladet må ha tilstrekkelig vanntilførsel.
 - g) Kontroller at pekeren er i flukt med sagbladet. Se *Slik justerer du pekeren med sagbladet på side 256*.
 - h) Koble produktets støpselet til en skjøteledning og deretter til stikkkontakten.

- i) I noen tilfeller må du reversere fasene. Se *Fellindikator på side 265*.



- j) Vri maskinstoppknappen med urviseren for å sikre at maskinstoppknappen er koblet ut.

Sagblad



ADVARSEL: Ikke bruk sagbladet på andre materialer enn den er laget for.



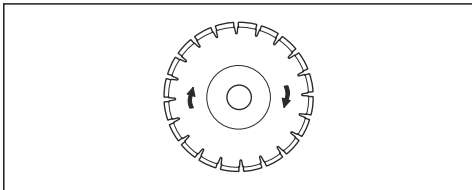
ADVARSEL: Bruk bare diamantsagblad til våtkapping. Diamantsagbladet må være beregnet til en hastighet som er lik eller høyere enn det som er angitt på produktets typeskilt. Bruk bare diamantsagblad som er i samsvar med nasjonale eller regionale standarder, for eksempel EN 13236 eller ANSI B7.1.

Produsenten av sagbladet gir ut advarsler og anbefalinger for bruk og riktig vedlikehold av sagbladet. Disse advarslene følger med sagbladet.

Diamantskiver



ADVARSEL: Kontroller at rotasjonsretningen for diamantbladet som vises på diamantbladet, samsvarer med rotasjonsretningen som vises på produktet.



OBS: Bruk alltid en skarp diamantskive.

Det finnes et bredt utvalg av diamantsagbladet som brukes til ulike arbeidsoppgaver. Fra nylagt betong til betong og asfalt som har blitt harde, og til forskjellige hardhetsklasser.

Diamantsagbladet har en stålkjerne med segmenter som er laget av industridiamanter.

Vannkjølesystem

Bruk alltid vann under bruk for å holde temperaturen på diamantsagbladene nede. Vannkjølesystemet øker også levetiden til diamantsagbladene og forhindrer oppsamling av støv.

Kontroller at vanntilførselen ikke er tett.

Diamantskiver til våtkapping



ADVARSEL: Bruk alltid bladflensstørrelsen som er angitt for den gjeldende bladstørrelsen. Ikke bruk bladflenser som er skadet.

Under bruk vil friksjon gjøre at diamantsagbladet blir svært varmt. Hvis diamantsagbladet blir overopphetet, kan dette gjøre at bladspenningen reduseres, eller at kjernen sprekker.

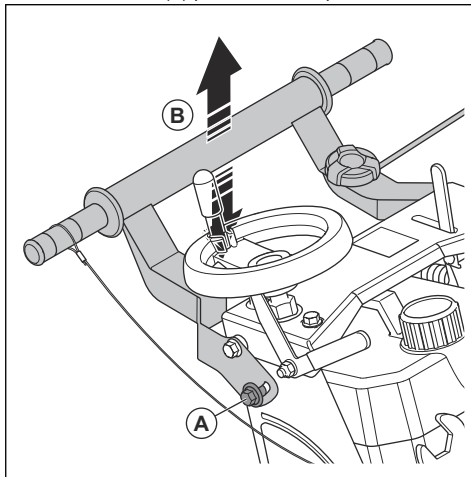
La diamantsagbladet kjøles av før du berører den.

- Diamantsagbladet til våtkapping må brukes med vann for å holde bladkjernen og diamantsegmentene avkjølte mens du kapper. Diamantsagbladet til våtkapping kan ikke brukes tørre.
- Hvis du bruker diamantsagbladet til våtkapping uten vann, kan de bli overopphetet. Dette fører til dårlig ytelse og skade på sagbladet og er en sikkerhetsrisiko.

Slik justerer du høyden på håndtaket

Håndtaket kan justeres til riktig høyde.

1. Løsne skruene (A) på hver side av produktet.



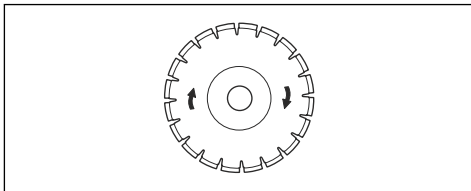
2. Sett håndtaket i stillingen som passer til arbeidet (B).
3. Trekk til skruene (A).

Slik monterer du et sagblad

Sagbladet kan monteres på høyre og venstre side av produktet.



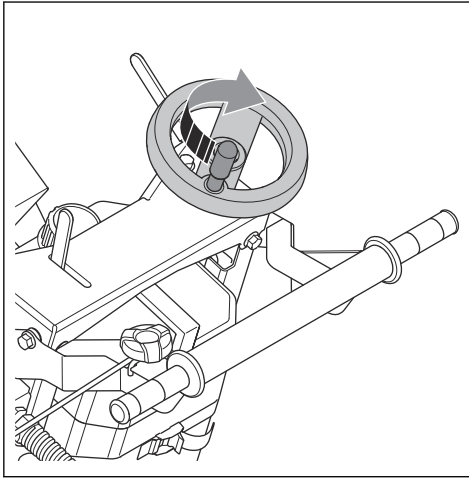
OBS: Sagbladet kan skades hvis det monteres motsatt av rotasjonsretningen. Kontroller at sagbladet roterer i samme retning som pilene på sagbladet.



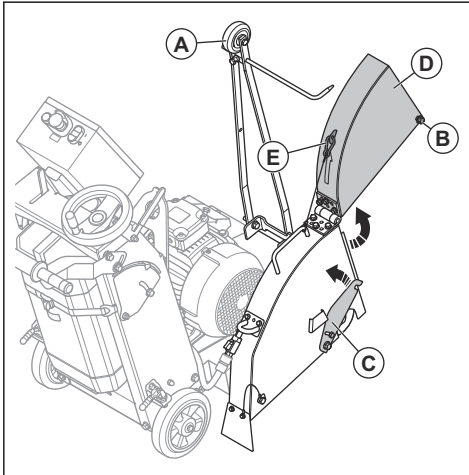
Merk: Spaken til hjulet for skjæredybde må alltid være låst når hjulet for skjæredybde ikke er i bruk.

1. Stopp motoren, og koble produktet fra stikkkontakten.

2. Vri hjulet for skjæredybde med klokka for å løfte sagbladet helt. Skyv spaken for å låse hjulet for skjæredybde.

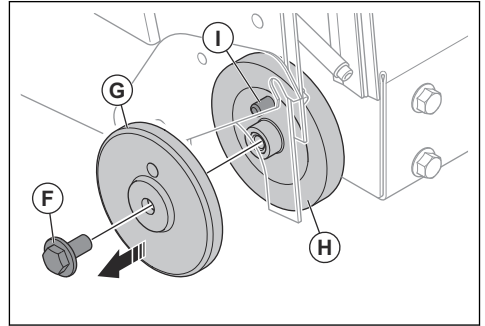


3. Bladbeskyttelsen må monteres på samme side av produktet som sagbladet. Hvis bladbeskyttelsen ikke er montert på riktig side, kan du se *Slik monterer du bladbeskyttelsen på side 254*.
4. Løft pekeren (A) til oppreist stilling.



5. Løsne den fremre bolten (B) på bladbeskyttelsen og løft opp låsen for bladbeskyttelsen (C).
6. Løft fronten på bladbeskyttelsen (D).
7. Lås bladbeskyttelsen i oppreist stilling med kabelen og karabinkroken (E).

8. Fjern bladskruen (F) med skiftenøkkelen som følger med, og motnøkkelen.



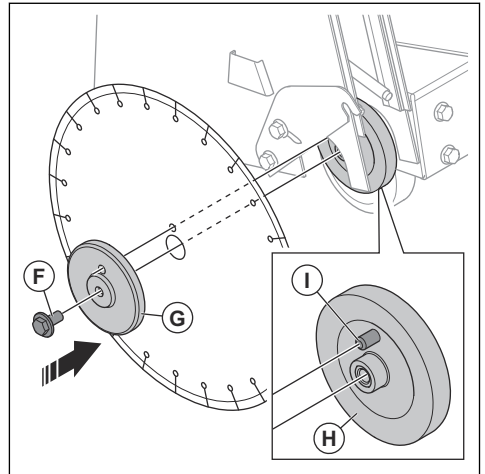
Merk: Bladskruen på høyre side av produktet er venstregjenget. Bladskruen på venstre side av produktet er høyregjenget.

9. Fjern bladflensen (G).



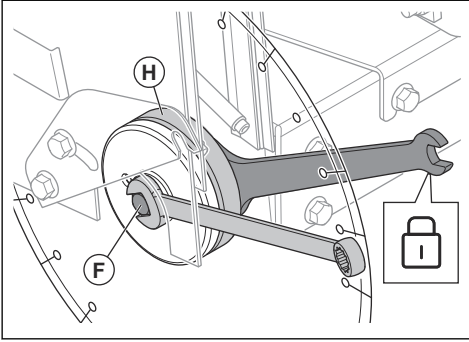
ADVARSEL: Skadde eller skitne deler kan forhindre at sagbladet monteres riktig. Undersøk om bladskruen (F), bladflensen (G), den indre flensen (H) og låsepinnen (I) har skader. Bytt ut slitte eller skadde deler. Rengjør kontaktflatene på bladet og bladflensene. Rengjør gjengene på bladskruen og den indre flensen.

10. Monter sagbladet på den indre flensen (H).

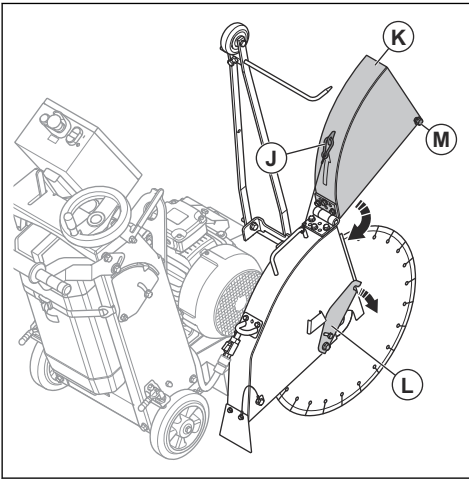


11. Monter bladflensen (G) og bladskruen (F). Kontrollér at låsepinnen (I) på den indre flensen går gjennom sagbladet og inn i bladflensen (G).

12. Hold og skyv sagbladet i motsatt rotasjonsretning. Samtidig strammer du bladskruen (F) med den medfølgende skiftenøkkelen.
13. Lås den indre flensen (H) med skiftenøkkelen som følger med, og stram bladskruen (F) med den andre skiftenøkkelen som følger med.



14. Drei bladskruen (F) til 100 Nm / 74 ft lbs.
15. Lås opp bladbeskyttelsen fra karabinkroken (J), og senk bladbeskyttelsen foran (K).



16. Sett bladbeskyttelseslåsen (L) på den fremre boltten på bladbeskyttelsen. Stram den fremre boltten (M) på bladbeskyttelsen.



OBS: Ikke bruk produktet uten at bladbeskyttelsen foran er senket og bladbeskyttelseshaken er aktivert. Du må ikke bruke produktet hvis delene er skadet

17. Kontroller at bladskruen på motsatt side av produktet er strammet.
18. Start produktet. Se *Slik starter du produktet på side 258*.

19. Lytt etter uvanlige lyder. Ved uvanlige lyder fjerner du sagbladet.
 - a) Undersøk sagbladet for skader.
 - b) Monter sagbladet igjen. Skift ut sagbladet hvis det er skadet.

Slik tar du av sagbladet



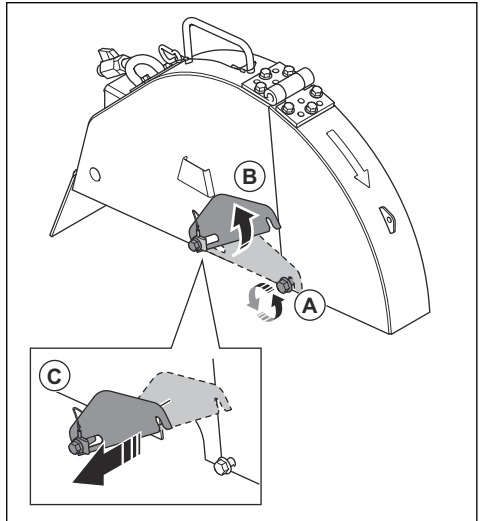
ADVARSEL: Når du skal ta av diamantsagblad, må du la produktet avkjøles. Bruk vernehansker. Diamantsagblad er svært varme etter bruk.

- Ta sagbladet av i motsatt rekkefølge av hvordan den monteres. Se *Slik monterer du et sagblad på side 252*.

Slik monterer du bladbeskyttelsen

Bladbeskyttelsen må monteres på samme side av produktet som sagbladet. Hvis det er nødvendig, flytter du bladbeskyttelseslåsen til riktig side av bladbeskyttelsen.

1. Hvis bladbeskyttelseslåsen ikke er montert på riktig side av bladbeskyttelsen, gjør du følgende.
 - a) Løsne de to skruene på flensedekselet, og ta av flensedekselet.
 - b) Løsne den fremre boltten (A) på bladbeskyttelsen og løft opp bladbeskyttelseslåsen (B).



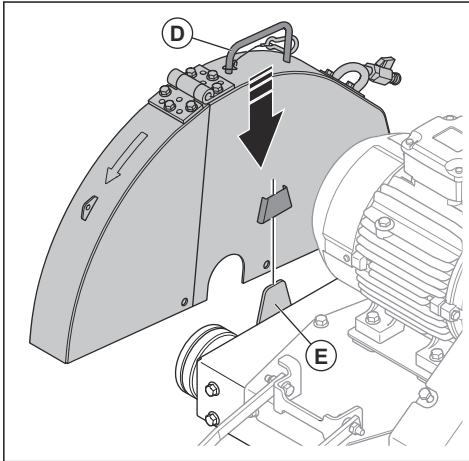
- c) Fjern den bakre boltten og bladbeskyttelseslåsen (C).
2. Flytt bladbeskyttelseslåsen til motsatt side av bladbeskyttelsen. Utfør følgende prosedyre.
 - a) Monter bladbeskyttelseslåsen, og stram den bakre boltten.

- b) Sett bladbeskyttelseslåsen på den fremre bolten på bladbeskyttelsen. Stram den fremre bolten (A).

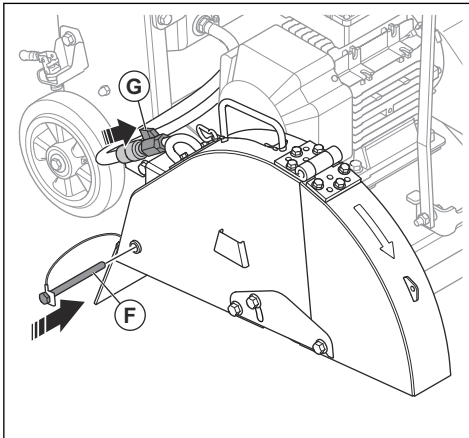


OBS: Ikke bruk produktet uten at bladbeskyttelsen er låst på plass. Du må ikke bruke produktet hvis delene er skadet.

3. Bruk håndtaket (D) til å løfte bladbeskyttelsen, og monter bladbeskyttelsen på støtten (E).

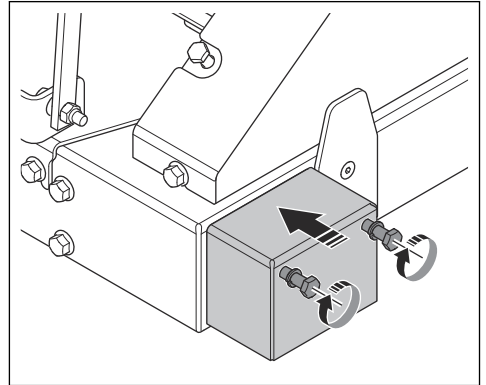


4. Monter skruen (F) for bladbeskyttelsen.



5. Koble til vannslangen (G).

6. Monter flensedekslet på motsatt side av produktet, og stram de to skruene.



Slik fjerner du bladbeskyttelsen

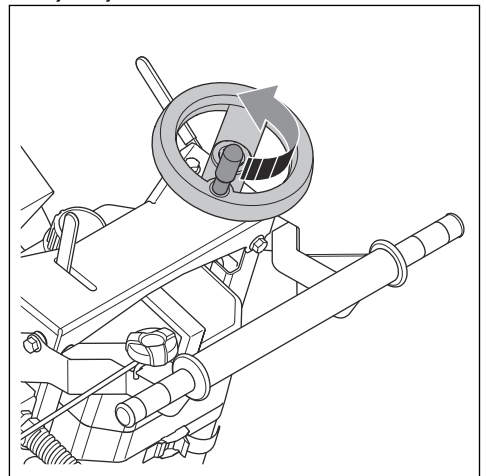
1. Stopp motoren. Se *Slik stopper du produktet på side 259*.
2. Ta bladbeskyttelsen av i motsatt rekkefølge av hvordan den monteres. Se *Slik monterer du bladbeskyttelsen på side 254*.

Slik stiller du inn indikatoren for skjæredybde

Indikatoren må kalibreres før du bruker produktet.

Merk: Spaken for hjulet for skjæredybde må alltid være låst når hjulet for skjæredybde ikke er i bruk.

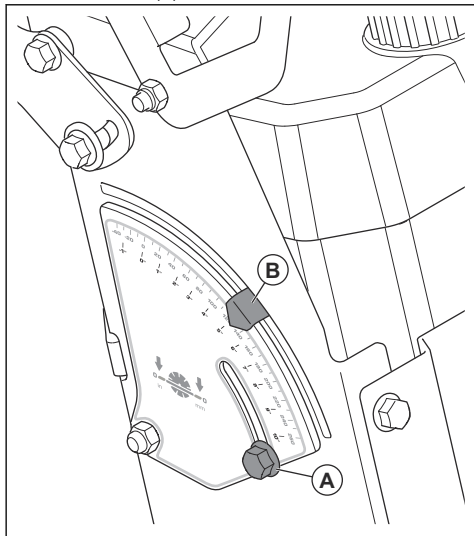
1. Vri hjulet for skjæredybde til sagbladet så vidt berører bakken. Senk spaken som låser hjulet for skjæredybde.





OBS: Ikke senk sagbladet for raskt. Hvis sagbladet treffer overflaten med kraft, kan det føre til skade på sagbladet.

2. Løsne skruen (A).



3. Drei indikatorplaten til posisjonen 0 er i midten av pilen (B).

4. Trekk til skruen (A).



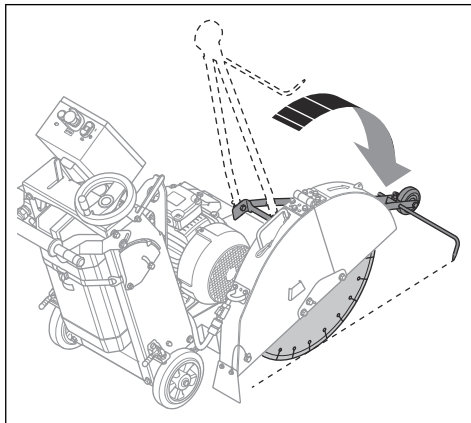
OBS: Kontroller alltid at skjæredybden er riktig. Indikatoren hjelper deg med å få riktig skjæredybde, men gir bare en indikasjon på dybdeverdien.

Slik justerer du pekeren med sagbladet

Merk: Pekeren må være på linje med sagbladet.

1. Plasser den indre flensen langs en linje.

2. Senk pekeren, og still produktet på linje med merkene.



3. Plasser pekeren slik at den er i flukt med linjen.

4. Juster om nødvendig pekeren til den kommer i flukt med linjen.

Grunnleggende arbeidsteknikk

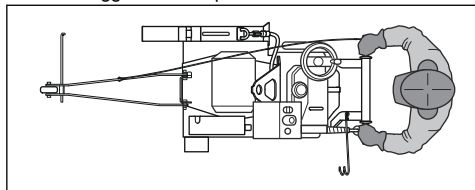


ADVARSEL: Bladakselen roterer når motoren starter.

- Sørg for at du alltid kan trykke på maskinstoppknappen under bruk.
- Kontroller at verktøy eller andre gjenstander ikke ligger igjen på produktet.
- Ha kontroll på produktet når motoren er i gang.
- Kontroller at bladbeskyttelsen er riktig festet før du starter produktet. Ikke skjær uten bladbeskyttelsen.
- Strek opp alle skjærelinjer før du starter operasjonen. Sørg for at det ikke er noen fare for brukeren eller produktet.
- Ikke sving, drei eller beveg produktet fra side til side mens sagbladet roterer.
- Sørg for at det alltid finnes en annen person i nærheten når du bruker produktet. Hvis en ulykke oppstår, kan du få hjelp av denne personen.
- Ikke forlat produktet uten at parkeringsbremsene er koblet inn.

Bruk riktig arbeidsteknikk

- Hold deg unna banen til sagbladet mens motoren er i gang. Operatørens posisjon er bak håndtakene. Hold begge hendene på håndtakene.



- Kontroller sagbladet ofte for sprekker og ødelagte deler i løpet av arbeidsdagen. Ikke bruk et skadet sagblad.



ADVARSEL: Stopp motoren og koble fra strømpluggen før du undersøker sagbladet.

- Ikke slip med siden av sagbladet. Sagbladet kan brette og føre til personskade på brukeren eller personer i nærheten. Bruk kun skjærekanten.
- Ikke bøy eller vri sagbladet i skjæresporet.
- Kontroller at sagbladet beveger seg fritt, og at det ikke setter seg fast i skjæresporet.

Vanntilførsel

Sagbladet må ha tilstrekkelig vannforsyning under drift. Bruk vann fra vannbeholderen på produktet eller fra en ekstern vannslange. Se *Slik fyller du vanntanken på side 257* og *Slik kobler du til ekstern vannforsyning på side 258*.

Slik fyller du vanntanken

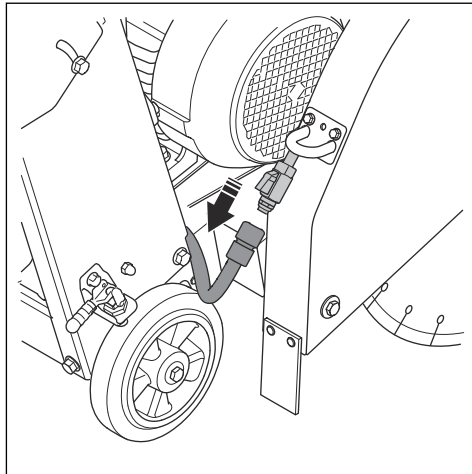


ADVARSEL: Fyll kun vann i tanken. Ikke hell andre væsker i vanntanken.

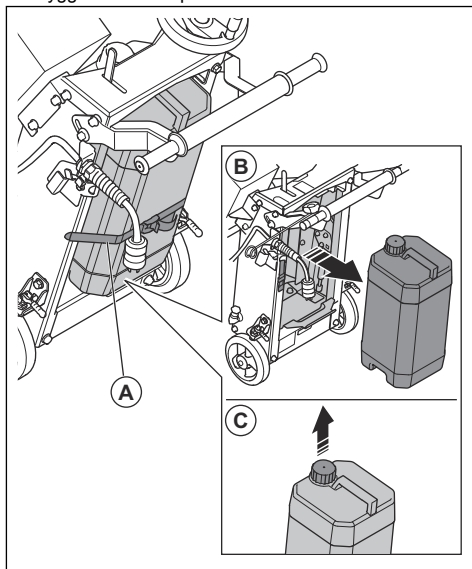


ADVARSEL: Kontroller at sagbladet er litt over bakken når du vrir vannkranen for å justere vannet.

1. Steng vannkranen, og koble fra vannslangen.

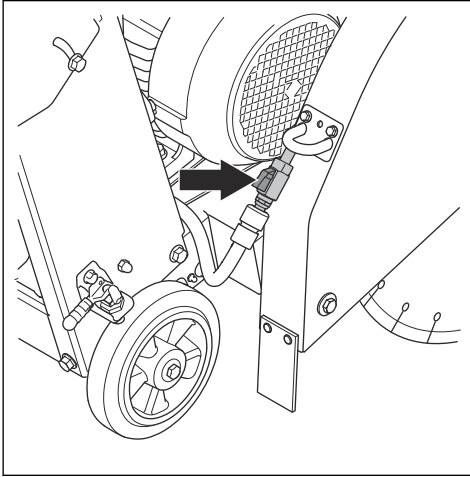


2. Ta bort vanntankstroppen (A) og vanntanken (B). Ikke søl vann på produktet. Flytt vanntanken til en trygg avstand fra produktet.



3. Ta av lokket til vannbeholderen (C), og fyll vanntanken med vann.
4. Sett på lokket til vanntanken.
5. Monter vanntanken.
6. Monter vanntankstroppen, og koble til vannslangen.

7. Vri vannkranen på bladbeskyttelsen for å justere vanntilførselen.

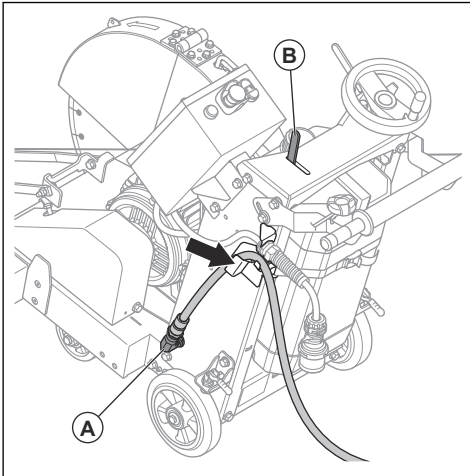


Slik kobler du til ekstern vannforsyning

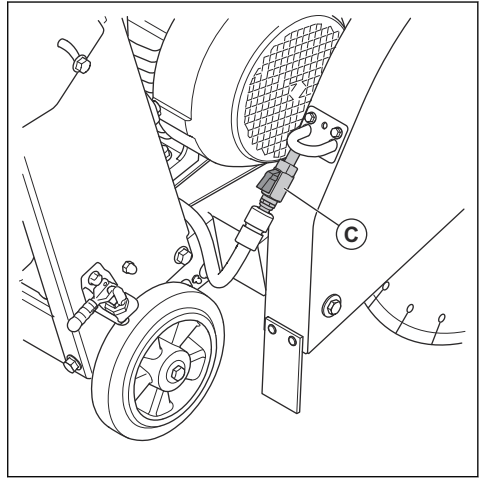


ADVARSEL: Kontroller at sagbladet er litt over bakken når du vrir vannkranen for å justere vannet.

1. Koble den eksterne vannslangen til vanninntaket (A). Sett den eksterne vannslangen i slangeholderen.



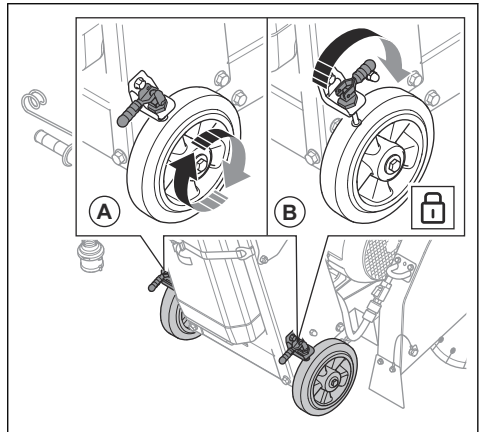
2. Du starter eller stopper vannet ved å trykke på vannventilen (B) eller vri vannkranen (C) på bladbeskyttelsen.



3. Hvis du vil justere vanntilførselen, trykker du på vannventilen eller vrir vannkranen på bladbeskyttelsen.

Slik kobler du parkeringsbremsene inn og ut

1. Koble parkeringsbremsene (A) ut for å bevege produktet.



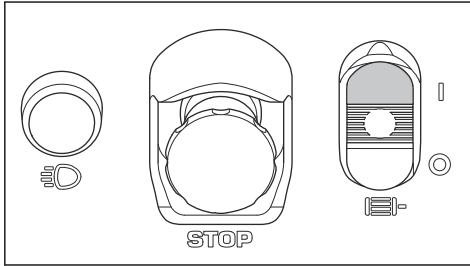
2. Koble parkeringsbremsene (B) inn når produktet skal stå stille.

Slik starter du produktet



ADVARSEL: Kontroller at sagbladet er rett over bakken.

- Press PÅ/AV-knappen til «I» for å starte produktet. I løpet av fem sekunder kjører produktet med riktig turtall.



Slik stopper du arbeidsoperasjonen

Merk: Spaken for hjulet for skjæredybde må alltid være låst når hjulet for skjæredybde ikke er i bruk.

1. Trekk i spaken for å låse opp skjæredybdehjulet.
2. Vri hjulet for skjæredybde med urskiven til sagbladet så vidt er over bakken.
3. Senk spaken for å låse hjulet for skjæredybde.
4. Vri vannkranen eller skyv vannventilen for å stoppe vanntilførselen. Se *Slik kobler du til ekstern vannforsyning på side 258*.

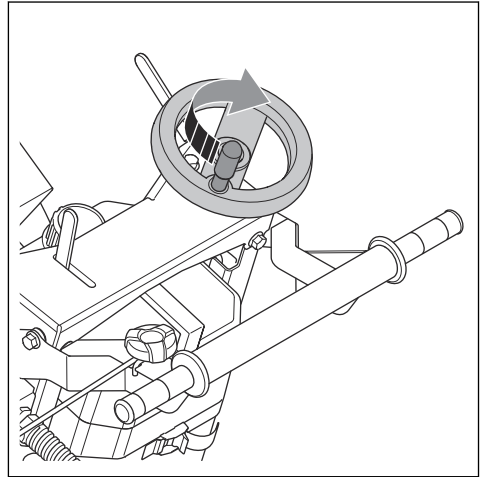
Slik stopper du produktet



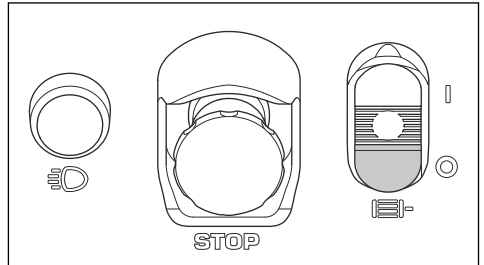
ADVARSEL: Sagbladet fortsetter å rotere en stund etter at motoren stopper.

Merk: Spaken for hjulet for skjæredybde må alltid være låst når hjulet for skjæredybde ikke er i bruk.

1. Vri hjulet for skjæredybde med urviseren for å løfte sagbladet. Senk spaken som låser hjulet for skjæredybde.



2. Press på ON/OFF-knappen til «0» for å stoppe motoren.



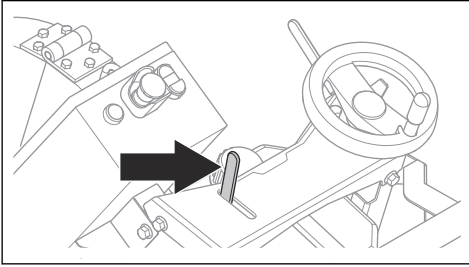
3. Koble inn parkeringsbremsene.
4. Koble fra støpselet.

Slik skjærer du overflaten

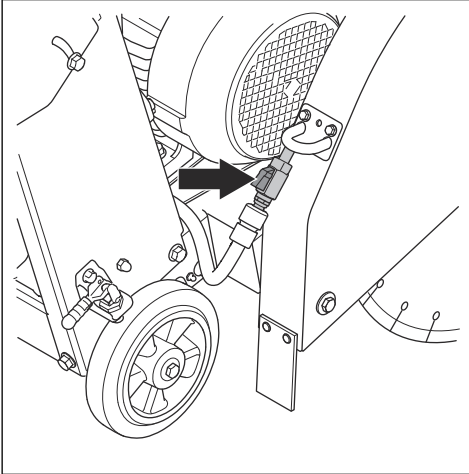
Merk: Spaken for hjulet for skjæredybde må alltid være låst når hjulet for skjæredybde ikke er i bruk.

1. Still inn sagbladet etter merkene på bakken eller styreskjæret.

2. Hvis du bruker en ekstern vannslange, må du trykke på vannventilen for å la vannet være av eller på.

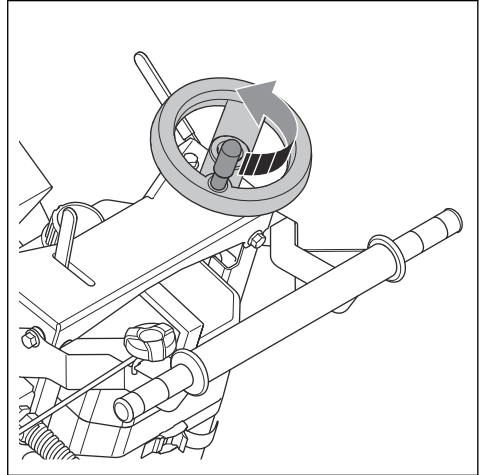


3. Drei vannkranen for å tilpasse vannforsyningen.

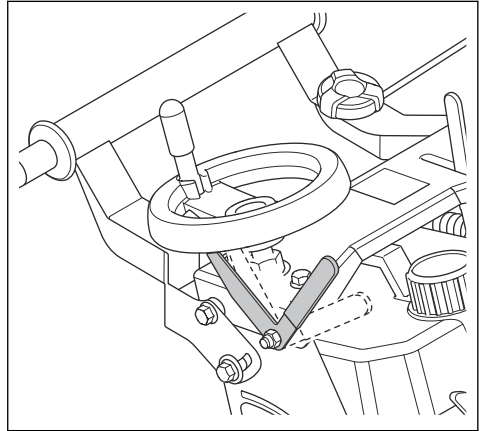


4. Kontroller vannstrømmen. Juster vannforsyningen om nødvendig.
5. Start motoren. Se *Slik starter du produktet på side 258*.

6. Vri hjulet for skjæredybde mot urviseren for å senke sagbladet.



7. Skjær et ledespor på ca. 20–30 mm.
8. Skjær i trinn på 50 mm til du får den nødvendige dybden. Senk spaken for å låse hjulet for skjæredybde.



9. Tilpass alltid vannforsyningen når du bruker produktet. Begge sider av sagbladet må ha nok vann til å kjøle ned sagbladet. Vannet forhindrer også oppsamling av støv.
10. Skjær bare i en linje, og still sagbladet etter merkene.
11. Skyv produktet langsomt fremover, og kontroller at pekeren og sagbladet er på linje med merkene.



OBS: Ikke beveg produktet fra side til side for å stille sagbladet på linje med merkene.

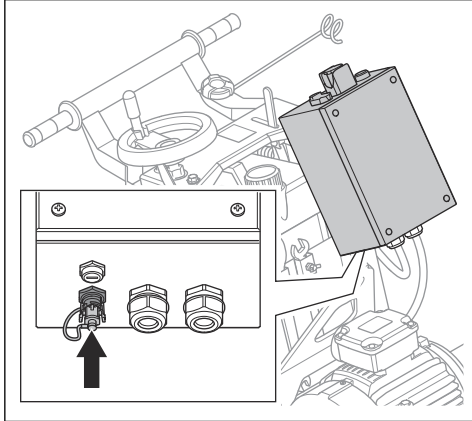
Slik betjenes lyssettet

Lyssettet er et tilbehør. Bruk bare 24 V-uttaket for arbeidslyset for Husqvarna godkjente lyssett.

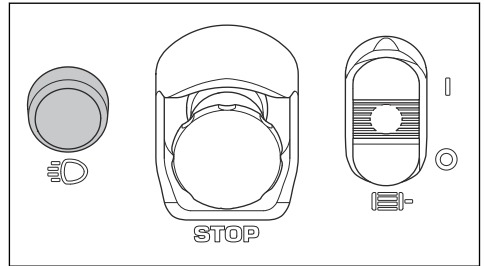


ADVARSEL: Ikke se inn i strålen.

1. Monter lyssettet på 24 V-uttaket for arbeidslyset.



2. Trykk på lysbryteren for å slå på lyssettet.



3. Trykk på lysbryteren igjen for å slå av lyssettet.

Vedlikehold

Innledning



ADVARSEL: Les og forstå kapittelet om sikkerhet før du utfører vedlikehold på produktet.

For alt vedlikehold og reparasjonsarbeid på produktet er det nødvendig med spesiell opplæring. Vi garanterer at profesjonell reparasjon og service er tilgjengelig for deg. Hvis forhandleren ikke er et serviceverksted, må du snakke med dem for å få informasjon om nærmeste serviceverksted.

For informasjon om reservedeler må du snakke med Husqvarna-forhandleren eller et serviceverksted.

Før det utføres vedlikehold

- Parker produktet på et jevnt underlag, og stopp motoren. Trykk på maskinstoppknappen på kontrollpanelet for å forhindre utilsikket start under vedlikeholdet.

- Kontroller at produktet ikke kan forflytte seg under vedlikehold. Sett på parkeringsbremsene, og sett hjulklosser bak og foran hjulene.
- Trekk alltid ut støpselet fra stikkkontakten før du rengjør, utfører vedlikehold eller monterer produktet.
- Rengjør området rundt produktet for olje og smuss. Fjern uønskede gjenstander.
- Sett opp tydelige skilt rundt vedlikeholdsområdet for å varsle utenforstående om at vedlikeholdsarbeid pågår.
- Sørg for at brannslukningsapparater, førstehjelpsutstyr og en telefon til å ringe nødetater finnes i nærheten.

Vedlikeholdsskjema

Vedlikehold	Daglig	Månedlig
Rengjør de utvendige flatene på produktet med vann. Se <i>Slik rengjør du produktet på side 262.</i>	X	
Utfør en generell inspeksjon. Se <i>Slik utfører du en generell inspeksjon på side 263.</i>	X	
Kontroller drivremmen. Juster om nødvendig strammingen av drivremmen. Se <i>Slik justerer du strammingen av drivremmen på side 263.</i>	X	
Kontroller maskinstoppknappen. Se <i>Slik kontrollerer du maskinstoppknappen på side 250.</i>	X	
Kontroller PÅ-knappen og AV-knappen. Se <i>Slik kontrollerer du PÅ-knappen og AV-knappen på side 249.</i>	X	
Kontroller vannstrømmen. Hvis vannstrømmen ikke er tilstrekkelig, må du kontrollere vannfilteret. Rengjør vannfilteret ved behov. Se <i>Slik rengjør du vannfilteret på side 262.</i>	X	
Kontroller bladbeskyttelsene. Se <i>Slik kontrollerer du bladbeskyttelsen på side 250.</i>	X	
Kontroller sagbladet. Se <i>Sagblad på side 251.</i>	X	
Smør hylsene på spaken for justering av skjæredybde. Se <i>Slik smører du produktet på side 263.</i>	X	
Smør mutteren på drivremplaten og akselen. Se <i>Slik smører du produktet på side 263.</i>		X

Slik rengjør du produktet



ADVARSEL: Bruk vernebriller. Når du rengjør produktet, kan smuss og skadelig materiale komme ut av produktet.



OBS: Et blokkert luftinntak reduserer ytelsen til produktet og kan føre til at motoren blir overopphetet.

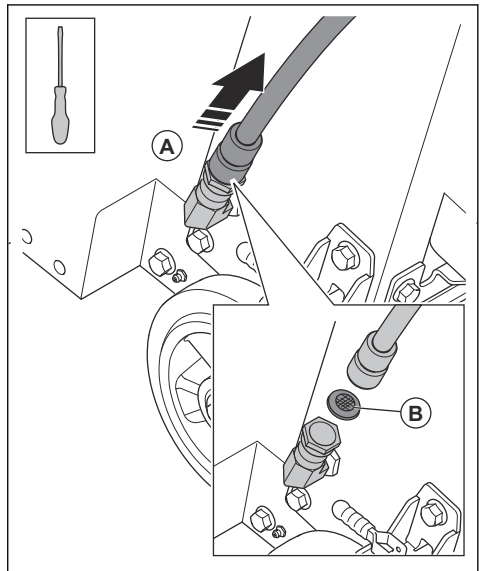
- La produktet bli avkjølt før du rengjør det.
- Ikke rengjør elektriske komponenter med vann.
- Bruk et mildt rengjøringsmiddel. Bruk vernehansker for å forhindre hudirritasjon.
- Rengjør alltid alt utstyret på slutten av arbeidsdagen. Produktet må ikke rengjøres med høytrykksspyler.
- Fjern blokkeringer fra alle luftåpninger.

Slik rengjør du vannfilteret



OBS: Et blokkert vannfilter reduserer vannstrømmen til sagbladet og kan føre til at sagbladet blir for varm.

1. Koble den eksterne vannslangen (A) fra vanninntaket.



2. Fjern vannfilteret (B) med en flat skrutrekker.
3. Kontroller vannfilteret. Rengjør vannfilteret ved behov.
4. Monter vannfilteret, og koble til den eksterne slangen.

Slik utfører du en generell inspeksjon

- Kontroller at mutrene og skruene på produktet er trukket til.
- Sørg for at kablene på produktet ikke er i en posisjon der de kan bli skadet.
- Se etter skade på de elektriske delene. Ikke bruk et produkt som har skadede elektriske deler.
- Undersøk vannslangene for lekkasje. Ikke bruk et produkt som har skadede vannslanger.

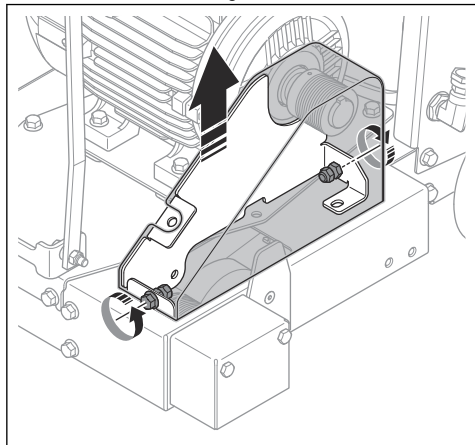
Slik justerer du strammingen av drivremmen



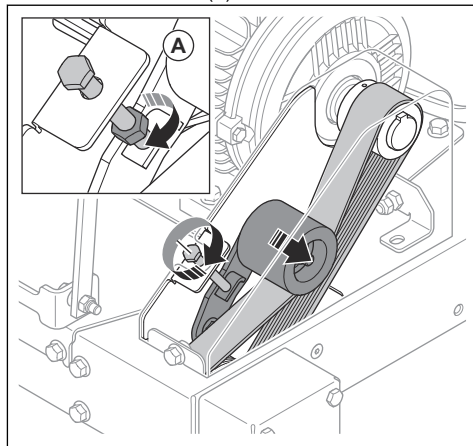
OBS: Kontroller at drivremmen ikke er skadet.

Strammingen av en ny drivrem må justeres etter to timer.

1. Løsne de to skruene, og ta av drivremdekselet.



2. Løsne låsemutteren (A).



3. Drei strammeskruen for å justere trykket på remskiven mot drivremmen. Strammingen av drivremmen er riktig når drivremmens frekvens er i intervallet som er angitt i *Tekniske data på side 266*.
4. Trekk til låsemutteren.
5. Monter drivremdekselet og skru inn de to skruene.

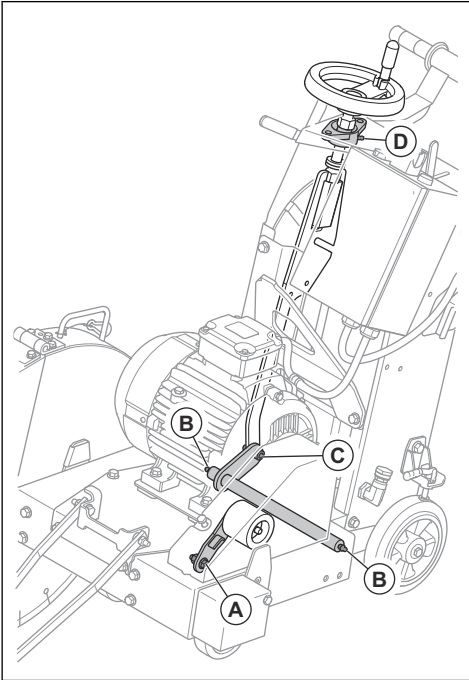
Slik smører du produktet

Merk: Spaken for hjulet for skjæredybde må alltid være låst når hjulet for skjæredybde ikke er i bruk.

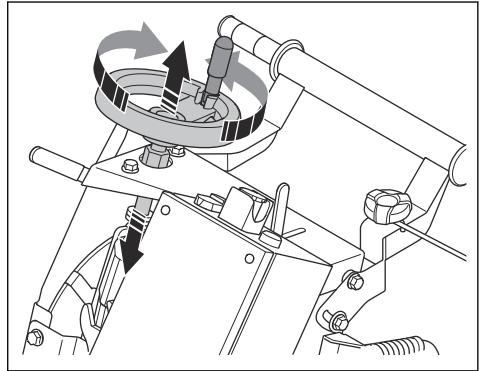
Smør komponentene nevnt nedenfor. Smør til fettet vises i kantene. For riktig fett se *Tekniske data på side 266*.

1. Koble fettpressen til smøreniplene.
2. Smør hylsen (A) ved drivremplaten med en børste.

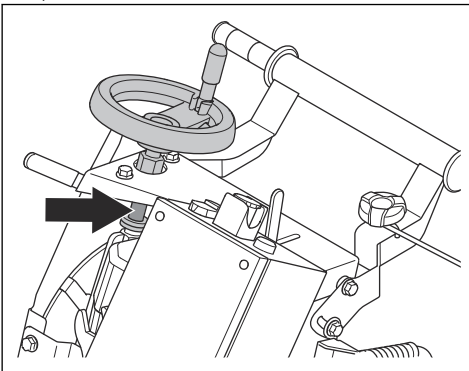
3. Smør hylsene (B) på venstre og høyre side av produktet. Bruk en fettpresse.



- b) Vri hjulet for skjæredybde med og mot urviseren gjentatte ganger og smør likt. Senk spaken for å låse hjulet for skjæredybde.



4. Smør akselen (C) med en børste.
5. Smør smørepunktene på spaken for justering av skjæredybde (D). Bruk en fettpresse.
a) Smør akselen under mutteren.



Feilsøking

Produktet starter ikke

- Kontroller at ikke strømtilførselen eller strømledningen er skadet.

- Undersøk maskinstoppknappen, vri knappen med urviseren for å løse ut maskinstoppknappen.
- Undersøk feilindikatoren. Se *Feilindikator på side 265*.

Produktet stopper plutselig.

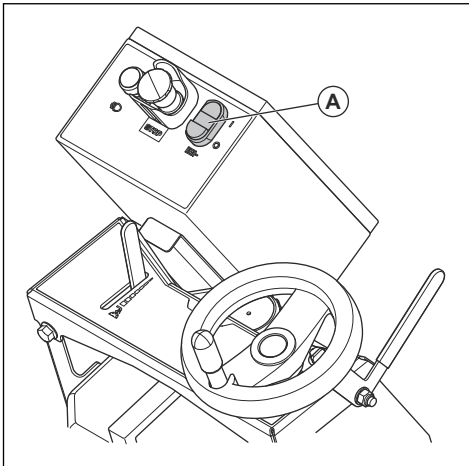
- Hvis belastningen er for stor for produktet, kobles motorvernet inn og stopper motoren. Se *Feilindikator på side 265*.

Produktet stopper under oppstart.

Riktig tilførselsspenning er nødvendig for god motorytelse. Skjøteledninger som er for lange eller har for liten kapasitet, reduserer motorkraften under bruk.

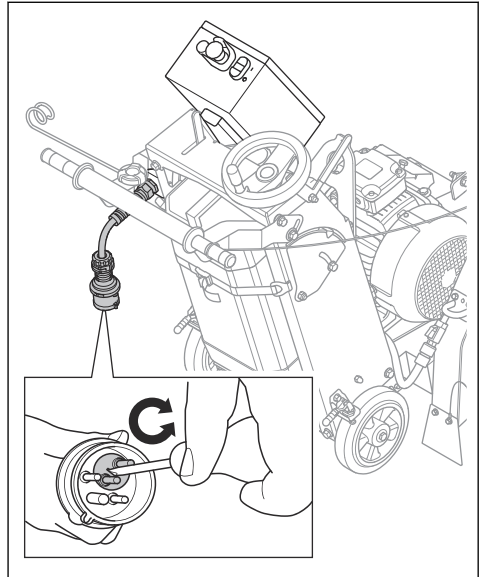
- Hvis belastningen er for stor for produktet, utløses overlastervernet og stopper motoren. Se *Feilindikator på side 265*.
- Kontroller at skjøteledningene ikke er for lange eller har for liten kapasitet. Prøv å starte produktet på nytt.
- Pass på at sagbladet kan rotere fritt.
- Hvis produktet fortsetter å stoppe under oppstart, bør du kontakte et godkjent verksted.

Feilindikator



Feilindikatoren (A) tennes i følgende situasjoner:

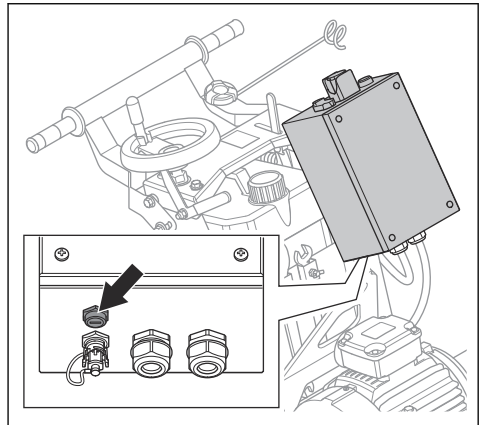
- Motoren er overbelastet. Motoren stopper.
- Det er fasefeil. Støpselet må justeres.



La motorbeskyttelsen bli avkjølt, og feilindikatoren slukkes før du starter motoren igjen. Du må vente i ca. 60 sekunder.

Arbeidslyset starter ikke

- Kontroller sikringen for arbeidslyset. Hvis sikringen er ødelagt, må du skifte sikringen med en riktig sikring. Se *Tekniske data på side 266*.



Transport, oppbevaring og avhending

Transport

- Fjern sagbladet før transport.
- Dette produktet er tungt. Vær forsiktig når du løfter produktet, da det er fare for personskade. Se *Slik løfter du produktet på side 266*.
- Følg spesielle krav for kommersiell transport.

- Sikre produktet under transport. Kontroller at det ikke kan bevege seg.

Slik løfter du produktet



ADVARSEL: Kontroller at løfteutstyret er dimensjonert for operasjonen. Typeskiltet på produktet viser produktets vekt.



ADVARSEL: Kontroller at løfteøyet ikke er skadet.



ADVARSEL: Ikke gå eller opphold deg under eller nær et produkt som løftes.

- Bruk riktig løfteutstyr for å løfte produktet. Ikke løft produktet manuelt.
- Bruk løfteøyet på produktet, når du skal løfte det.
- Bruk støvler med ståltupp og skliskikker såle.

Oppbevaring av produktet

- Oppbevar produktet på et låst sted for å hindre tilgang for barn eller personer som ikke er godkjent.

- Oppbevar alltid produktet innendørs.
- Oppbevar produktet på et tørt og frostfritt sted.
- Ta sagbladet av produktet etter bruk. Sagbladet må være tørt når du skal oppbevare den.
- Hold produktet på et flatt, jevnt underlag.

Kassering

Symbolene på produktet eller produktemballasjen indikerer at produktet ikke skal håndteres som husholdningsavfall. Produktet skal innleveres til et gjenvinningsanlegg som gjenvinner elektrisk og elektronisk utstyr.

Ved å sikre at produktet håndteres på riktig måte, kan du bidra til å motvirke potensielt negative virkninger på miljø og menneske, som kan oppstå som følge av at produktet ikke avfallshåndteres på riktig måte. Kontakt det lokale renovasjonsvesenet eller forhandleren der du kjøpte produktet hvis du ønsker mer detaljert informasjon.

Tekniske data

Tekniske data

Motoreffekt, kW	7,5
Nominell spenning, VAC ved frekvens, Hz	3~400 ved 50 (CE) 3~415 ved 50 (AUS)
Merkestrøm, A	15
Støpsel	CEE, 3~, 16 A (CE) 56P420, 20 A, 500 V (AUS)
Maks. bladdiameter, mm	600
Maks. skjæredybde, mm	240
Maks. rotasjonshastighet for spindelen (ved motorturtall på 2925 o/min), o/min	1765
Akseldiameter, mm	25,4
Diameter på bladflens, mm	116
Maks. vanntrykk, bar	6
Nominell vekt (uten kasse), kg	178
Maksimal driftsvekt uten vanntank, kg	183
Maksimal driftsvekt med full vanntank, kg	214

Fett	DIN 51825 fett klasse K2K-30 eller K3K-30
Riktig remstramming, Hz	88–93
Uttak for arbeidslys, VDC	24
Sikring for arbeidslys, A	4 (5 x 20 mm)
Tiltrekkingsmoment for bladskruer, Nm/ft lbs	100/74

Lydnivåer

Støy- og vibrasjonsutslipp	
Lydeffektnivå L_{WA} (målt), dB(A)	105
Lydeffektnivå L_{WA} (garantert), dB(A) ²⁵	107
Lydtrykknivå ved brukerens øre, dB (A) ²⁶	83
Vibrasjonsnivåer a_{hv} , m/s ² , høyre håndtak / venstre håndtak ²⁷	2,6/3,1

Erklæring om støy og vibrasjoner

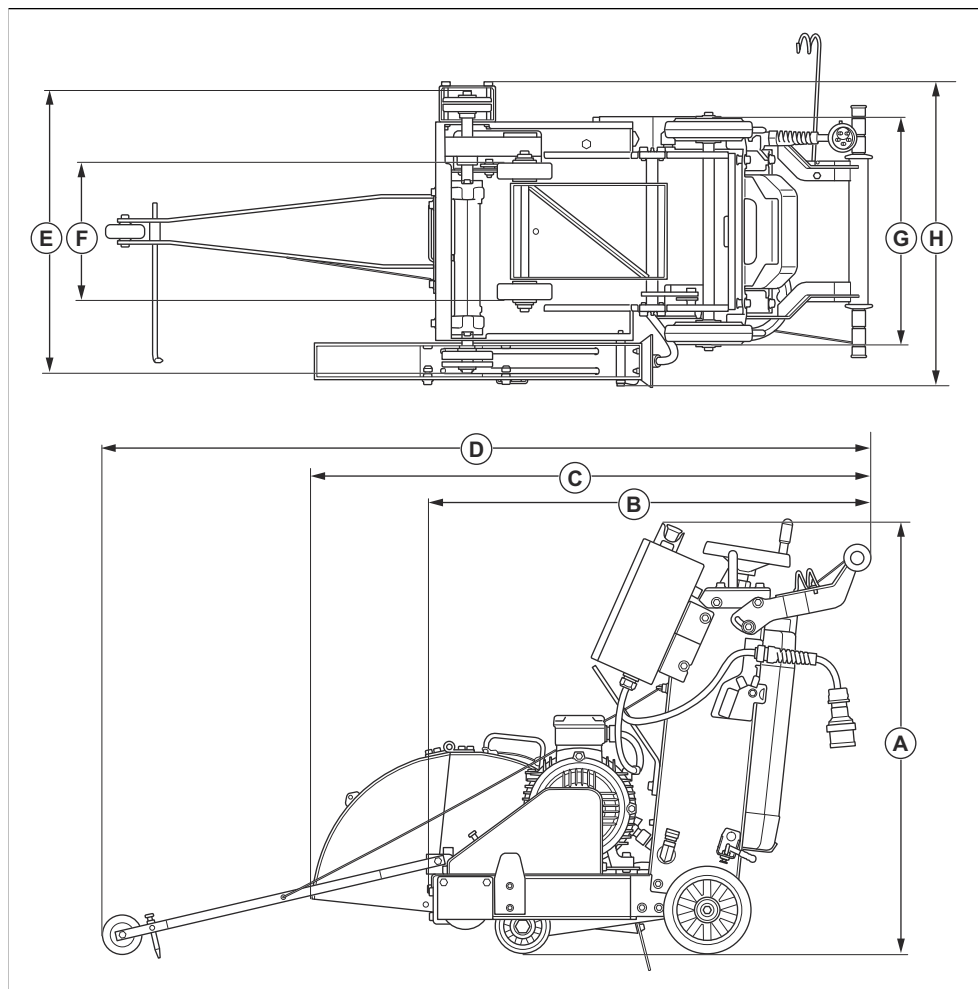
De oppgitte verdiene er innhentet ved laboratorietesting i samsvar med de nevnte direktivene eller standardene og er egnet for sammenligning med de oppgitte verdiene for andre produkter er testet i samsvar med de samme direktivene eller standardene. Disse oppgitte verdiene er ikke egnet for bruk i risikovurderinger, og verdiene målt på individuelle arbeidsplasser kan være høyere. De faktiske eksponeringsverdiene og den faktiske risikoen som en enkeltbruker opplever, er unike og avhenger av måten brukeren jobber på, hvilket materiale produktet brukes med, så vel som av eksponeringstiden, den fysiske tilstanden til brukeren og tilstanden til produktet.

²⁵ Utslipp av støy til omgivelsene målt som lydeffekt (L_{WA}) samsvarer med EF-direktiv 2000/14/EF. Forskjellen mellom garantert og målt lydeffekt er at garantert lydeffekt også omfatter spredning i måleresultatet og variasjoner mellom forskjellige maskiner av samme modell, i henhold til direktivet 2000/14/EF.

²⁶ Lydtrykknivå i henhold til EN 13862. Rapporterte data for ekvivalent lydtrykknivå for maskinen har en typisk statistisk spredning (standardavvik) på 2,5 dB (A)

²⁷ Vibrasjonsnivå i henhold til EN 13862. Rapporterte data for vibrasjonsnivå har en typisk statistisk spredning (standardavvik) på 1 m/s²

Produktmål



A	Høyde, mm	985	E	Min. bredde (bladbeskyttelse er ikke montert), mm	645
B	Min. lengde (peker oppover og bladbeskyttelse eller sagblad er ikke montert), mm	1010	F	Bredde på forhjul, mm	320
C	Lengde (peker oppover og bladbeskyttelse er montert), mm	1275	G	Bredde på bakhjul, mm	520

D	Maks. lengde (peker nedover), mm	1750	T	Maks. bredde (bladskjerm mon- tert), mm	700
----------	-------------------------------------	------	----------	--	-----

Tilbehør

Godkjent Husqvarna-tilbehør

- Lyssett.
- Vanntank.

Samsvarserklæring

EU-samsvarserklæring

Vi, Husqvarna AB, SE 561 82 Huskvarna, SVERIGE, tlf:
+46- 36-146500, erklærer på eget ansvar at produktet:

Beskrivelse	Gulvsag
Merke	HUSQVARNA
Type/modell	FS 600 E
ID	Serienumre datert 2021 og senere

fullstendig overholder følgende EU-direktiver og
-forskrifter:

Direktiv/regulering	Beskrivelse
2006/42/EC	«angående maskiner»
2014/30/EU	«om elektromagnetisk kompatibilitet»
2000/14/EC	«angående utendørsstøy»
2011/65/EU	«angående restriksjoner for farlige stoffer»

og at følgende standarder og/eller tekniske
spesifikasjoner er anvendt:

EN ISO 12100:2010

EN 13862:2001+A1:2009

EN 55014-1:2021

EN 61000-6-2:2019

EN 61000-3-2:2019+A1:2021

EN 61000-3-3:2013+A1:2019

EN IEC 63000:2018

Prosedyre for samsvarsvurdering iht. 2000/14/EC:
Vedlegg V.

For informasjon som gjelder støyutslipp, kan du se
Tekniske data på side 266.

Partille, 2021-12-08

Erik Silfverberg

FoU-direktør, betongskjærings- og -boringsutstyr

Husqvarna AB, Bygg og anleggsdivisjon

Ansvarlig for teknisk dokumentasjon



ÍNDICE

Introdução.....	271	Transporte, armazenamento e eliminação.....	295
Segurança.....	275	Especificações técnicas.....	296
Funcionamento.....	280	Acessórios.....	299
Manutenção.....	291	Declaração de conformidade.....	300
Resolução de problemas.....	294		

Introdução

Descrição do produto

O produto é uma cortadora de pavimentos elétrica de avanço automático manobrada pelo operador.

Finalidade

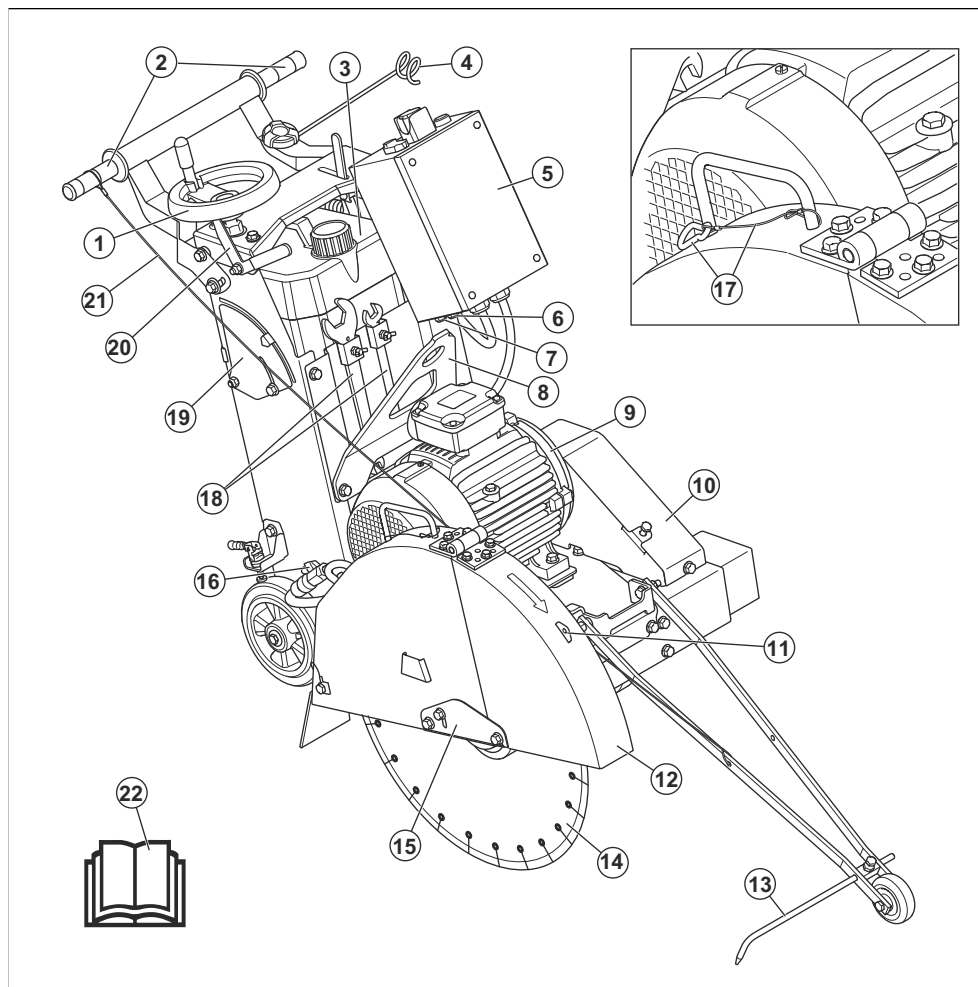
Este produto é utilizado com lâminas de diamante para corte húmido, para cortar materiais duros de superfície

de pavimentos, como betão, asfalto e pedra. Todas as outras utilizações são incorretas.

O produto é utilizado em aplicações industriais por operadores experientes.

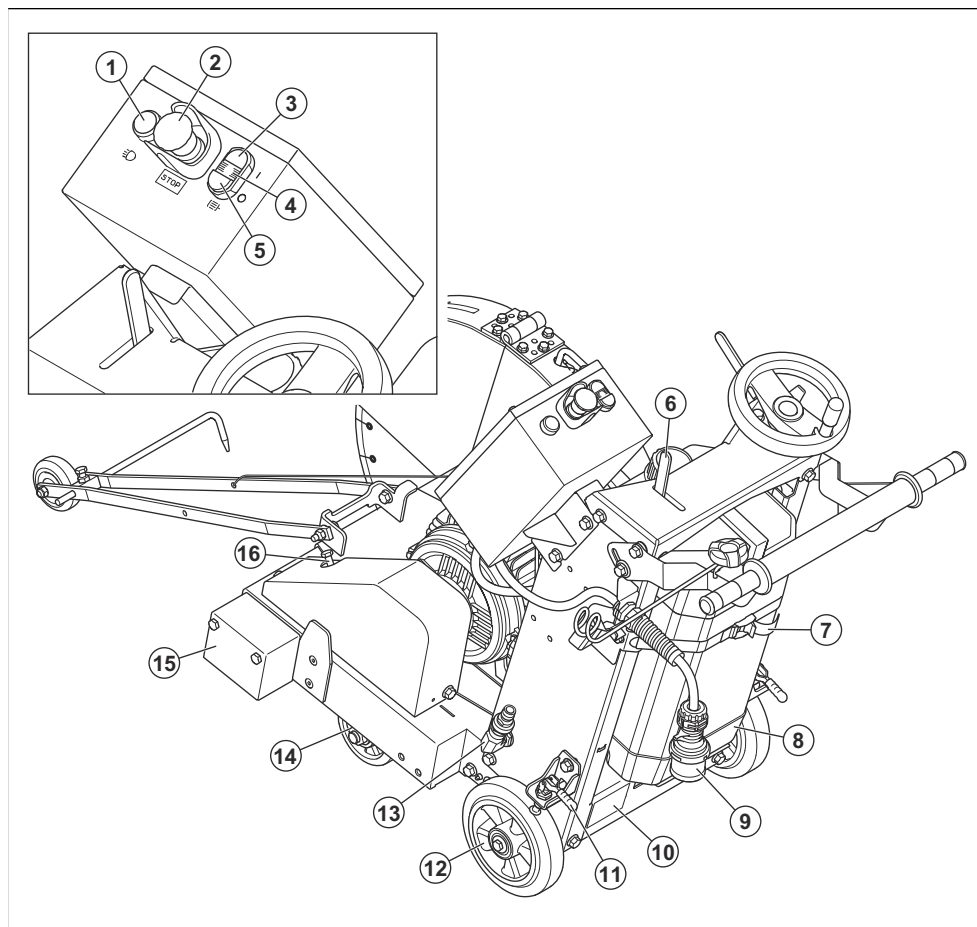
Não utilize no exterior ou em condições húmidas; este produto destina-se apenas a ser utilizado em interiores.

Vista geral do produto, lado direito



- | | |
|---|--|
| 1. Roda da profundidade de corte | 12. Proteção da lâmina |
| 2. Pega | 13. Ponteiro |
| 3. Depósito de água e tampa (opcional) | 14. Disco (não incluído) |
| 4. Cabo e cabo de guia de mangueira | 15. Trinco da proteção do disco |
| 5. Invólucro elétrico | 16. Torneira da água |
| 6. Fusível da luz de trabalho | 17. Fio e mosquetão |
| 7. Saída da luz de trabalho | 18. Ferramentas de manutenção |
| 8. Olhal de elevação | 19. Indicador da profundidade de corte |
| 9. Motor | 20. Alavanca para bloquear a profundidade de corte |
| 10. Cobertura da correia de transmissão | 21. Cabo do ponteiro |
| 11. Suporte do mosquetão | 22. Manual do utilizador |

Vista geral do produto, lado esquerdo



1. Interruptor das luzes de trabalho (kit de luzes opcional)
2. Botão de paragem da máquina
3. Botão ON
4. Indicador de erro
5. Botão OFF
6. Válvula de água
7. Cinta do depósito de água
8. Depósito de água (opcional)
9. Ficha de alimentação
10. Placa de tipo
11. Travão de estacionamento
12. Roda traseira
13. Entrada de água e filtro de água
14. Roda dianteira

15. Cobertura do flange
16. Parafuso tensor, correia de transmissão

Símbolos no produto



AVISO: Este produto pode ser perigoso e provocar ferimentos graves ou a morte do operador ou de terceiros. Seja cuidadoso e utilize o produto corretamente.



Leia o manual do operador com atenção e certifique-se de que compreende as instruções antes de utilizar este produto.



Risco de ferimentos por cortes. Mantenha todas as partes do corpo afastadas da lâmina de corte.



Mantenha todas as partes do corpo afastadas da lâmina de corte e de outras peças móveis.



Certifique-se de que a lâmina de corte não está romba nem apresenta danos, tais como fissuras.



As proteções da lâmina têm de estar sempre instaladas no produto. Não permita a exposição de mais de 180° da lâmina de corte.



Certifique-se de que o disco de corte é aplicável à mesma velocidade ou a uma velocidade superior ao valor indicado no produto. Uma lâmina de corte que seja utilizada a uma velocidade demasiado elevada pode partir-se e provocar ferimentos ou danos.



AVISO: A poeira pode causar problemas de saúde. Utilize uma proteção respiratória aprovada. Certifique-se sempre de que existe um bom fluxo de ar.



AVISO: Não olhe para o feixe. Este aviso só é aplicável quando o kit de luzes está instalado.



Utilize protetores acústicos, proteção ocular e proteção respiratória. Consulte *Equipamento de proteção pessoal na página 278*.



Risco de choque elétrico: A inspeção e/ou manutenção têm de ser efetuadas com o motor parado e com a ficha desligada.



Nenhum deslocamento da máquina fora da área de corte deve ser realizado com a ferramenta em rotação.



Retire a lâmina antes de efetuar o transporte, ao levantar, colocar ou retirar o produto da plataforma de transporte.



A seta na proteção da lâmina indica a direção de rotação da lâmina de corte.



Engate/desengate os travões de estacionamento.



Encha o depósito apenas com água.



Válvula do sistema de arrefecimento a água do disco de corte.



Controlo de elevação/descida para ajuste da profundidade de corte.



Utilize sempre o ponto de elevação para levantar o produto.



Ligação à terra.



Botão ON.



Botão OFF.



Botão STOP da máquina.



Interrutor das luzes de trabalho.



Botão ON/OFF do motor, indicador de erro.



Emissão de ruído para a etiqueta ambiental de acordo com as diretivas e regulamentos da UE e do Reino Unido. O nível de potência sonora garantido do produto está especificado em *Níveis acústicos na página 297, Declaração de conformidade na página 300* e na etiqueta.



Risco de choque elétrico. Este equipamento deve ser sujeito a manutenção apenas por pessoal aprovado.



Este produto está em conformidade com as diretivas aplicáveis da CE.



Este produto está em conformidade com os regulamentos do RU aplicáveis.



O produto ou a respetiva embalagem não são resíduos domésticos. Recicle-os numa localização de eliminação aprovada para equipamentos elétricos e eletrónicos.

1. Fabricante
2. Endereço do fabricante
3. Código QR para leitura
4. Designação do tipo
5. Número do artigo
6. Número de série
7. Peso do produto, kg
8. Data de fabrico, ano/mês
9. Voltagem: Corrente alternada trifásica, V
10. Frequência, Hz
11. Corrente nominal, A
12. Potência do motor, kW
13. Diâmetro máximo do disco, mm
14. Velocidade máxima do fuso, n/min
15. Informações adicionais

Placa de tipo

1		2		3
4	ARTICLE NO.	Husqvarna AB, S-561 82, Husqvarna, Sweden Made in China		
5		6		
SERIAL NO. (HID)				
7	8	9	10	11
15				

Responsabilidade pelo produto

Como referido nas leis de responsabilidade pelo produto, não somos responsáveis por danos causados pelo nosso produto se:

- o produto tiver sido incorretamente reparado.
- o produto tiver sido reparado com peças que não sejam do fabricante ou que não sejam aprovadas pelo fabricante.
- o produto tiver um acessório que não seja do fabricante ou que não seja aprovado pelo fabricante.
- o produto não tiver sido reparado por um centro de assistência autorizado ou por uma autoridade aprovada.

Segurança

Definições de segurança

Os avisos, as precauções e as notas são utilizados para indicar partes especialmente importantes do manual.



ATENÇÃO: Utilizado no caso de existir risco de ferimento ou morte para o utilizador ou transeuntes, se não forem respeitadas as instruções do manual.



CUIDADO: Utilizado se existir risco de danos para o produto, para outros materiais ou para a área adjacente, se não forem respeitadas as instruções do manual.

Nota: Utilizado para disponibilizar informações adicionais necessárias numa determinada situação.

Avisos gerais de segurança da ferramenta eléctrica



ATENÇÃO: Leia todos os avisos de segurança, as instruções, as ilustrações e as especificações fornecidos com esta ferramenta eléctrica. O incumprimento das instruções indicadas abaixo poderá resultar em choques elétricos, incêndios e/ou ferimentos graves.

Guarde todos os avisos e instruções para referência futura. O termo "ferramenta eléctrica" nos avisos refere-se à sua ferramenta eléctrica com ligação à corrente (com cabo) ou ferramenta eléctrica com bateria (sem cabo).

Segurança no local de trabalho

- **Mantenha a área de trabalho limpa e bem iluminada.** Áreas desarrumadas ou escuras convidam ao acidente.
- **Não maneje ferramentas eléctricas em ambientes explosivos, tal como na presença de líquidos inflamáveis, gases ou poeiras.** As ferramentas eléctricas criam faíscas que podem poeiras ou gases.
- **Mantenha as crianças e restantes pessoas afastadas enquanto maneja uma ferramenta eléctrica.** As distrações podem fazê-lo perder o controlo.

Segurança eléctrica

- **As fichas das ferramentas eléctricas têm de corresponder à tomada. Nunca modifique a ficha de qualquer forma. Não utilize quaisquer fichas adaptadoras.** As fichas inalteradas e as tomadas correspondentes reduzem o risco de choque eléctrico.
- **Evite o contacto corporal com superfícies ligadas à terra, tais como tubos, radiadores, fogões e frigoríficos.** Existe um risco acrescido de choque eléctrico se o seu corpo estiver em contacto com a terra.
- **Não exponha as ferramentas eléctricas a chuva ou condições de elevada humidade.** A entrada de água numa ferramenta eléctrica aumenta o risco de choque eléctrico.
- **Não danifique o cabo eléctrico. Nunca utilize o cabo eléctrico para transportar, puxar ou desligar a ferramenta eléctrica da tomada. Mantenha o cabo eléctrico afastado de fontes de calor, óleo, arestas afiadas ou de peças em movimento.** Os cabos eléctricos danificados ou emaranhados aumentam o risco de choque eléctrico.
- **Ao operar uma ferramenta eléctrica use uma extensão eléctrica adequada para utilização em exteriores.** A utilização de um cabo eléctrico adequado para utilização no exterior reduz o risco de choque eléctrico.
- **Durante a operação de uma ferramenta eléctrica, utilize sempre uma fonte de alimentação protegida com um dispositivo diferencial residual (RDC).** A utilização de um dispositivo de corrente residual (RCD) reduz o risco de choque eléctrico.
- **Certifique-se de que a tensão da tomada de alimentação corresponde à tensão indicada na etiqueta de tipo do produto.** Consulte *Placa de tipo na página 275*.

Segurança pessoal

- **Mantenha-se alerta, tenha atenção ao que está a fazer e use o bom senso ao operar uma ferramenta eléctrica. Não utilize uma ferramenta eléctrica se estiver cansado ou sob a influência de drogas, álcool ou medicação.** Um momento de desatenção

durante o manejo de ferramentas eléctricas pode resultar em lesões pessoais graves.

- **Use equipamento de protecção pessoal. Use sempre protecção ocular.** A utilização de equipamento de protecção como máscara antipoeira, calçado de segurança antiderrapante, capacete ou protetores acústicos nas condições apropriadas irá reduzir os ferimentos pessoais.
- **Prevenção de arranque não intencional. Certifique-se de que o interruptor se encontra desligada antes de ligar a ferramenta à fonte de alimentação e/ou à bateria, ou de a pegar ou transportar.** Transportar ferramentas eléctricas com o dedo no interruptor ou ligar ferramentas eléctricas à corrente eléctrica com o interruptor ligado é um convite aos acidentes.
- **Remova qualquer chave de ajuste ou chave de porcas antes de ligar a ferramenta à corrente eléctrica.** Uma chave de porcas ou uma chave ligada a uma peça em rotação da ferramenta eléctrica pode resultar em lesões pessoais.
- **Não se debruce. Mantenha o equilíbrio e os pés sempre bem assentes.** Isto permite um melhor controlo da ferramenta eléctrica em situações inesperadas.
- **Vista-se adequadamente. Não use peças de roupa soltas ou jóias. Mantenha o cabelo e roupas longe de quaisquer peças em movimento.** Roupas soltas, jóias ou cabelo comprido podem ser apanhados nas peças em movimento.
- **Se forem fornecidos dispositivos para a ligação de equipamentos de extração e de recolha de poeiras, assegure-se de que estes estão ligados e são utilizados corretamente.** A utilização da recolha de poeiras pode reduzir os riscos relacionados com poeiras.
- **Siga sempre os princípios de segurança das ferramentas, mesmo que já esteja familiarizado com as mesmas devido a utilização frequente.** Uma ação descuidada pode provocar ferimentos graves numa fração de segundo.

Utilização e manutenção de ferramentas eléctricas

- **Não force a ferramenta eléctrica. Use a ferramenta eléctrica correcta para a sua aplicação.** A ferramenta eléctrica correcta fará um trabalho melhor e mais seguro ao ritmo para o qual foi desenhada.
- **Não use a ferramenta eléctrica se o interruptor não ligar ou desligar.** Qualquer ferramenta eléctrica que não possa ser controlada com o interruptor é perigosa e tem de ser reparada.
- **Desligue a ficha da fonte de alimentação eléctrica e/ou retire a bateria, se amovível, da ferramenta eléctrica antes de efetuar qualquer ajuste, mudar acessórios ou guardar ferramentas eléctricas.** Estas medidas de prevenção reduzem o risco de ligar a ferramenta eléctrica acidentalmente.
- **Guarde ferramentas eléctricas que não estão na ser utilizadas fora do alcance das crianças e não**

- permita que qualquer pessoa não familiarizada com a ferramenta eléctrica ou com as suas instruções maneje a ferramenta eléctrica.** As ferramentas eléctricas são perigosas nas mãos de utilizadores inexperientes.
- **Efetue a manutenção das ferramentas eléctricas e dos acessórios. Verifique quanto a desalinhamentos ou bloqueio de peças móveis, danos de peças e qualquer outra condição que possa afectar o funcionamento da ferramenta eléctrica. Se estiver danificada, repare a ferramenta eléctrica antes de a usar.** Muitos acidentes são causados por ferramentas eléctricas com má manutenção.
 - **Mantenha as ferramentas de corte afiadas e limpas.** Ferramentas de corte com as zonas de corte afiadas e bem mantidas têm menos probabilidades de bloquear e são mais fáceis de controlar.
 - **Use a ferramenta eléctrica, acessórios e brocas, etc. de acordo com estas instruções, tomando em consideração as condições de funcionamento e o trabalho a ser executado.** A utilização da ferramenta eléctrica para operações diferentes das previstas pode resultar numa situação perigosa.
 - **Mantenha os punhos e as superfícies onde se segura secos, limpos e sem óleo nem massa lubrificante.** As superfícies onde se segura e os punhos escorregadios não permitem um controlo e um manuseamento seguros do produto em situações inesperadas.
 - Não utilize o produto a menos que tenha recebido formação prévia. Certifique-se de que todos os operadores receberam formação.
 - Não deixe uma criança utilizar o produto.
 - Permita a utilização do produto apenas a pessoas autorizadas.
 - O operador é responsável por acidentes que ocorrem a terceiros ou à respetiva propriedade.
 - Não utilize o produto se estiver cansado, doente ou sob a influência de álcool, drogas ou medicamentos.
 - Seja sempre cuidadoso e use o seu senso comum.
 - Este produto produz um campo eletromagnético durante o funcionamento. Em determinadas circunstâncias, este campo pode interferir com o funcionamento de implantes médicos ativos ou passivos. Para diminuir o risco de ferimentos graves ou fatais, recomendamos que os portadores de implantes médicos consultem o seu médico e o fabricante do implante antes de utilizar este produto.
 - Mantenha o produto limpo. Certifique-se de que pode ler claramente os sinais e os atcolantes.
 - Não utilize o produto se este apresentar algum defeito.
 - Não efetue modificações neste produto.
 - Não utilize o produto se existir a possibilidade de outras pessoas terem efetuado modificações no mesmo.

Assistência

- **Garanta que a manutenção da sua ferramenta elétrica é efetuada por um técnico de reparações qualificado e que utilize apenas peças de substituição idênticas.** Isto irá assegurar que a segurança das ferramentas eléctricas é mantida.

Instruções de segurança gerais



ATENÇÃO: Leia as instruções de aviso que se seguem antes de utilizar o produto.

- Se o utilizador não for cuidadoso ou se o produto for utilizado de forma incorreta, este produto é uma ferramenta perigosa. Este produto pode provocar ferimentos graves ou a morte do operador ou terceiros. Antes de utilizar o produto, é necessário ler e compreender o conteúdo deste manual do utilizador.
- Guarde todas as instruções e avisos.
- Cumpra todas as leis e regulamentos aplicáveis.
- O operador e a entidade patronal do operador têm de conhecer e evitar os riscos durante o funcionamento do produto.
- Não permita que o produto seja utilizado por pessoas que não tenham lido e compreendido o conteúdo do manual do utilizador.
- Leia as instruções de aviso fornecidas com o disco de corte pelo fabricante do mesmo.
- Ligue o produto apenas a uma fonte de alimentação protegida por um fusível ou disjuntor aplicável de, no máximo, 30 A.
- Certifique-se de que o produto está corretamente montado.
- Não utilize o produto sem a proteção do disco e as coberturas de proteção corretamente instaladas e montadas.
- Não utilize o produto com a proteção do disco dianteira elevada. A proteção do disco dianteira tem de ser descida e corretamente encaixada e fixada.
- O funcionamento incorreto do produto pode fazer com que o disco de corte se parta e provoque ferimentos ou danos.
- Certifique-se de que sabe como parar o motor rapidamente em caso de emergência.
- Use equipamento de proteção pessoal. Consulte *Equipamento de proteção pessoal na página 278*.
- Certifique-se de que se encontram na área de trabalho apenas pessoas autorizadas.



ATENÇÃO: Leia as instruções de aviso que se seguem antes de utilizar o produto.

- Certifique-se de que os cabos elétricos que se encontram na área de trabalho não têm corrente ativa.
- Antes de utilizar o produto, descubra se existem fios, cabos e tubos ocultos na área de trabalho. Se o produto atingir um objeto oculto, pare imediatamente o motor e examine o produto e o objeto. Não volte a ligar o produto até ter a certeza de que é seguro continuar.
- Certifique-se de que está numa posição segura e estável durante o funcionamento.
- O produto pode causar a projeção de objetos a alta velocidade. Certifique-se de que todas as pessoas na área de trabalho utilizam equipamento de proteção pessoal aprovado. Retire os objetos soltos da área de trabalho.
- Antes de se afastar do produto, pare o motor e certifique-se de que não existe risco de arranque accidental.
- Não se afaste do produto apenas sem que o travão de estacionamento esteja engatado.
- Tenha muito cuidado durante a utilização em declives. O produto é pesado e pode provocar ferimentos graves em caso de queda ou deslocamento rápido.
- Certifique-se de que nenhum material se pode soltar e causar ferimentos ao utilizador.
- Certifique-se de que a roupa, os cabelos compridos e as joias não ficam presos nas peças móveis.
- Não utilize o produto, a menos que consiga obter ajuda em caso de acidente.
- Afaste o depósito de água para uma distância segura do produto ao enchê-lo.

Instruções do produto com ligação à terra



ATENÇÃO: A ligação incorreta pode resultar em choques elétricos. Consulte um electricista aprovado caso não tenha a certeza de que a tomada dispõe de uma ligação adequada à terra.

Não efetue modificações na ficha de alimentação que alterem as respetivas especificações de fábrica. Se a ficha de alimentação ou o cabo de alimentação estiverem danificados ou tiverem de ser substituídos, contacte o seu agente de assistência técnica Husqvarna. Respeite os regulamentos e legislações locais.

Se não compreender totalmente as instruções sobre produtos com ligação à terra, contacte um electricista aprovado.

Utilize apenas cabos de extensão de ligação à terra para exteriores com fichas de ligação à terra e tomada de ligação à terra compatível com a ficha de alimentação do produto.

O produto tem um cabo de alimentação e uma ficha de alimentação com ligação à terra. Ligue sempre o produto a uma tomada de alimentação com ligação à terra. Esta ação diminui o risco de choque elétrico em caso de avaria.

Não utilize adaptadores elétricos com o produto.

Equipamento de proteção pessoal



ATENÇÃO: Leia as instruções de aviso que se seguem antes de utilizar o produto.

- Utilize sempre equipamento de proteção pessoal aprovado ao utilizar o produto. O equipamento de proteção pessoal não previne totalmente os ferimentos mas diminui a respetiva gravidade em caso de acidente. Obtenha ajuda junto do seu concessionário para selecionar o equipamento de proteção pessoal correto.
- Verifique regularmente o estado do equipamento de proteção pessoal.
- Utilize um capacete de proteção aprovado.
- Utilize protetores acústicos aprovados.
- Utilize proteção respiratória aprovada.
- Utilize proteção ocular aprovada com proteção lateral. Existe um risco elevado de lesões oculares causadas por objetos arremessados.
- Utilize luvas de protecção.
- Use botas com biqueira de aço e sola antideslizante.
- Utilize vestuário de trabalho aprovado, ou vestuário justo equivalente com mangas compridas e pernas compridas.

Extintor de incêndio

- Mantenha um extintor de incêndio próximo durante o funcionamento.
- Utilize um extintor de incêndio de pó químico ou um extintor de incêndio de dióxido de carbono.

Dispositivos de segurança no produto

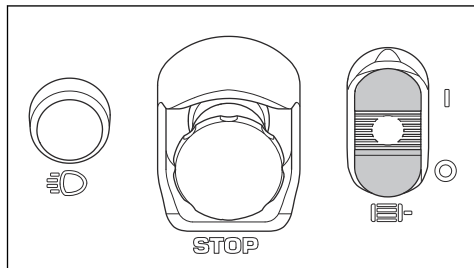


ATENÇÃO: Leia as instruções de aviso que se seguem antes de utilizar o produto.

- Não utilize o produto com dispositivos de segurança defeituosos.
- Verifique regularmente os dispositivos de segurança. Se os dispositivos de segurança estiverem defeituosos, fale com a sua oficina Husqvarna autorizada.

Botão ON e botão OFF

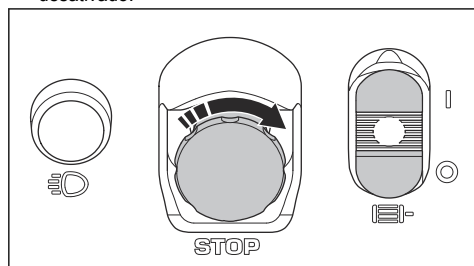
A função do botão ON (I) e do botão OFF (O) é ligar e desligar o motor.



Verificar o botão ON e o botão OFF

Nota: Se o produto não ligar, consulte *O produto não liga na página 294*.

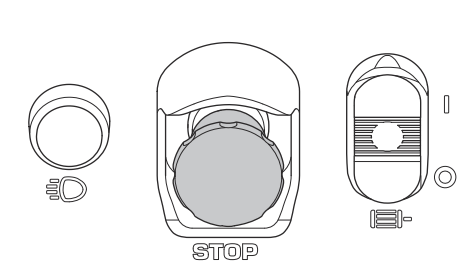
1. Desligue o produto da tomada de alimentação.
2. Certifique-se de que o disco de corte fica ligeiramente acima do pavimento.
3. Certifique-se de que o disco de corte e o flange do disco estão devidamente fixos e de que a proteção do disco está devidamente instalada. Consulte *Instalar um disco de corte na página 282* e *Instalar a proteção do disco na página 284*.
4. Ligue o produto com um cabo de extensão à tomada elétrica.
5. Rode o botão de paragem da máquina (STOP) para a direita para se certificar de que este se encontra desativado.



6. Rode o botão ON/OFF para a posição "I" para ligar o produto.
7. Aguarde 5 segundos para permitir que o produto funcione à velocidade correta.
8. Prima o botão ON/OFF para a posição "O" e certifique-se de que o motor para.

Botão de paragem da máquina

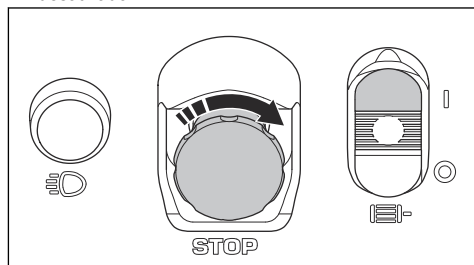
O botão de paragem da máquina (STOP) para o motor. O botão STOP da máquina não desliga as luzes.



Nota: Não utilize o botão de paragem da máquina para parar o produto, a menos que exista uma emergência. Para obter informações sobre o procedimento correto de paragem do produto durante o funcionamento, consulte *Desligar o produto na página 289*.

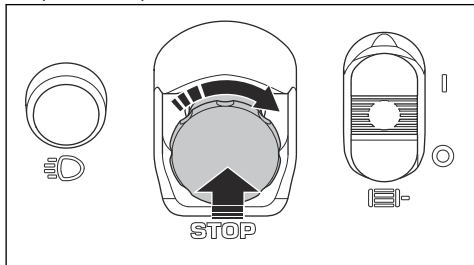
Verificar o botão de paragem da máquina

1. Desligue o produto da tomada de alimentação.
2. Certifique-se de que o disco de corte fica ligeiramente acima do pavimento.
3. Certifique-se de que o disco de corte e o flange do disco estão devidamente fixos e de que a proteção do disco está devidamente instalada. Consulte *Instalar um disco de corte na página 282* e *Instalar a proteção do disco na página 284*.
4. Ligue a ficha de alimentação do produto à tomada de alimentação.
5. Rode o botão de paragem da máquina (STOP) para a direita para se certificar de que este se encontra desativado.



6. Rode o botão ON/OFF para a posição "I" para ligar o produto.

7. Prima o botão STOP da máquina e certifique-se de que o motor para.



8. Rode o botão STOP da máquina para a direita para desativar.

Proteção do disco



ATENÇÃO: Não utilize o produto sem proteção do disco ou com uma proteção do disco danificada. Certifique-se de que a proteção do disco está devidamente instalada e fixada antes de ligar o produto.

A proteção do disco evita que as peças do disco ou do material cortado sejam arremessadas na direção do utilizador.

Verificar a proteção do disco

- Certifique-se de que a proteção do disco está devidamente instalada e fixada. Consulte *Instalar a proteção do disco na página 284*.
- Examine a proteção do disco quanto a danos, como fissuras.
- Substitua uma proteção do disco danificada.
- Substitua a proteção do disco se a mesma tiver sido atingida, estiver dobrada ou apresentar quaisquer outros defeitos.

Cobertura da correia de transmissão

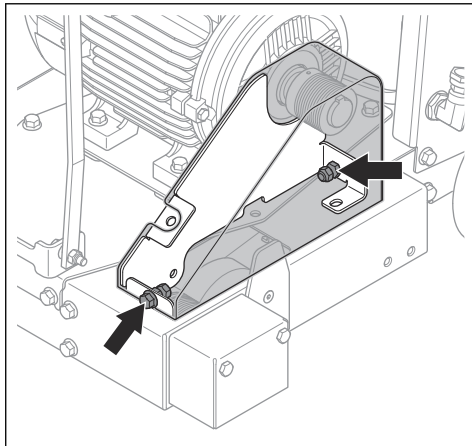


ATENÇÃO: Não utilize o produto sem uma cobertura da correia de transmissão ou com uma cobertura da correia da transmissão defeituosa. Certifique-se de que a cobertura da correia da transmissão está devidamente instalada e fixada antes de ligar o produto.

A cobertura da correia da transmissão protege as polias e a correia da transmissão.

Verificar a cobertura da correia de transmissão

- Certifique-se de que a cobertura da correia da transmissão não está danificada nem apresenta fissuras. Caso seja necessário, substitua a cobertura da correia da transmissão.
- Certifique-se de que os 2 parafusos da cobertura da correia da transmissão estão instalados e apertados corretamente.



Instruções de segurança para manutenção

- Mantenha o bom estado de todas as peças e certifique-se de que todas as fixações estão corretamente apertadas.
- Não utilize o produto se este apresentar algum defeito. Efetue as verificações de segurança, manutenção e assistência técnica descritas neste manual. Todos os outros trabalhos de manutenção devem ser realizados por uma oficina autorizada.
- Quando substituir as ferramentas diamantadas, pare o motor e desligue a ficha de alimentação.
- Efetue a inspeção e/ou manutenção com o motor parado e a ficha de alimentação desligada.
- Efetue regularmente a manutenção para garantir que o produto funciona de forma correta. Consulte *Esquema de manutenção na página 292*.

Funcionamento

Introdução



ATENÇÃO: Certifique-se de que lê e compreende o capítulo sobre segurança antes de usar o produto.

Antes de utilizar o produto

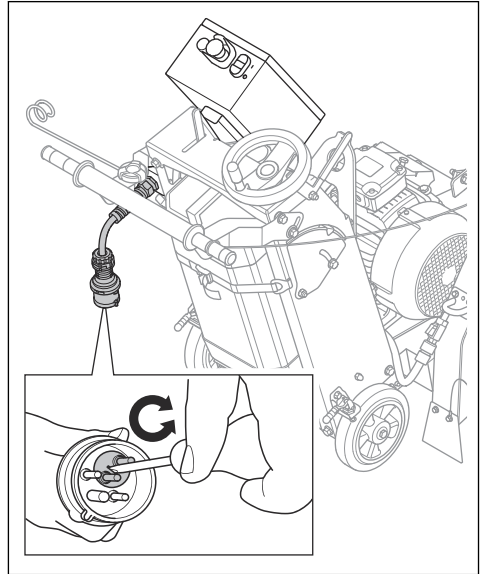


CUIDADO: Não utilize um cabo de extensão com um comprimento superior a

um máximo de 25 m e inferior a um mínimo de 2,5 mm².

- Leia o manual do utilizador com atenção e certifique-se de que compreende as instruções.
- Leia as instruções do fabricante da lâmina de corte fornecidas com a mesma.
- Antes de cada utilização do produto, execute os seguintes passos:
 - a) Efetue a manutenção diária. Consulte *Esquema de manutenção na página 292*.
 - b) Marque todos os cortes com linhas. Prepare cuidadosamente a sequência de funcionamento para evitar ferimentos e danos.
 - c) Certifique-se de que a lâmina de corte e a proteção da lâmina estão corretamente instaladas. Consulte *Instalar um disco de corte na página 282* e *Instalar a proteção do disco na página 284*.
 - d) Ajuste o punho para que fique numa posição de funcionamento aplicável. Consulte *Ajustar a altura da barra na página 282*.
 - e) Encha o depósito de água ou ligue o fornecimento de água externo. Consulte *Encher o depósito de água na página 287* e *Ligar o fornecimento de água externo na página 288*.
 - f) Certifique-se de que o tubo de água na proteção da lâmina está aberto. É necessário que cada lado da lâmina de corte tenha um abastecimento de água suficiente.
 - g) Certifique-se de que o ponteiro está alinhado com a lâmina de corte. Consulte *Alinhar o ponteiro com a lâmina de corte na página 286*.
 - h) Ligue a ficha de alimentação do produto a um cabo de extensão e, em seguida, à tomada elétrica.

- i) Em algumas condições, tem de inverter as fases. Consulte *Indicador de erro na página 295*.



- j) Rode o botão de paragem da máquina para a direita para se certificar de que o botão se encontra desativado.

Discos de corte



ATENÇÃO: Não utilize uma lâmina de corte para outros materiais para além dos quais foi concebida.



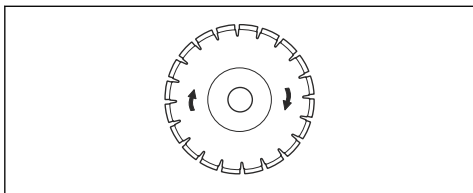
ATENÇÃO: Utilize apenas lâminas de diamante para corte húmido. A lâmina de diamante tem de ser aplicável à mesma velocidade ou a uma velocidade superior ao valor indicado na etiqueta de tipo do produto. Utilize apenas lâminas de diamante que se encontrem em conformidade com as normas nacionais ou regionais, por exemplo EN 13236 ou ANSI B7.1.

O fabricante da lâmina de corte fornece avisos e recomendações relacionados com o funcionamento e a manutenção correta da lâmina de corte. Estes avisos são fornecidos juntamente com a lâmina de corte.

Lâminas de diamante



ATENÇÃO: Certifique-se de que o sentido de rotação do disco diamantado apresentado no disco diamantado está alinhado com o sentido de rotação apresentado no produto.



CUIDADO: Use sempre um disco de diamante afiado.

Existe uma vasta gama de lâminas de diamante utilizadas para diferentes operações. Desde betão novo a betão e asfalto endurecido, e para diferentes classes de dureza.

As lâminas de diamante têm um núcleo de aço com segmentos feitos de diamantes industriais.

Sistema de arrefecimento a água

Utilize sempre água durante o funcionamento para manter a temperatura das lâminas de diamante baixa. O sistema de arrefecimento a água também aumenta a vida útil das lâminas de diamante e evita a acumulação de poeiras.

Certifique-se de que o abastecimento de água não está obstruído.

Discos de diamante para corte húmido



ATENÇÃO: Utilize sempre um flange da lâmina com as dimensões especificadas para as dimensões atuais da lâmina. Não utilize flanges da lâmina danificados.

Durante o funcionamento, a fricção faz com que a lâmina de diamante fique muito quente. Se a lâmina de diamante ficar demasiado quente, irá diminuir a tensão da lâmina ou fazer uma fissura no núcleo.

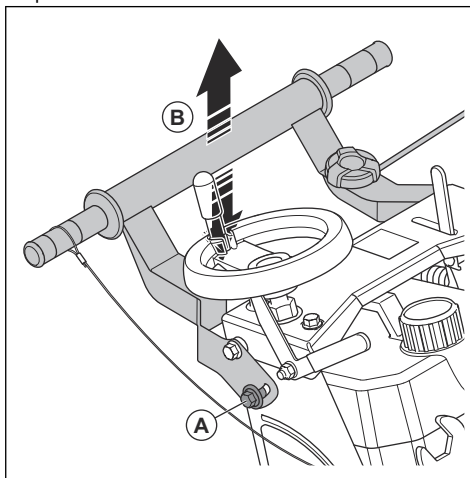
Deixe a lâmina de diamante arrefecer antes de lhe tocar.

- As lâminas de diamante para corte húmido têm de ser utilizadas com água, de forma a manter o núcleo da lâmina e os segmentos frescos durante o corte. As lâminas de diamante para corte húmido não podem ser utilizadas a seco.
- Se utilizar uma lâmina de diamante para corte húmido sem água, a lâmina pode ficar demasiado quente. Isto causa mau desempenho, danos na lâmina e representa um risco de segurança.

Ajustar a altura da barra

A altura do punho pode ser ajustada à altura correta.

1. Desaperte os parafusos (A) de cada lado do produto.



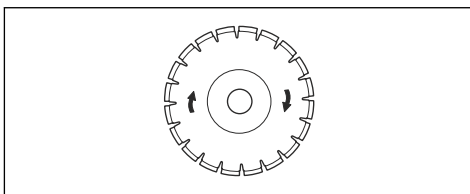
2. Defina a posição para a altura de trabalho necessária (B).
3. Aperte os parafusos (A).

Instalar um disco de corte

O disco de corte pode ser instalado no lado direito e no lado esquerdo do produto.



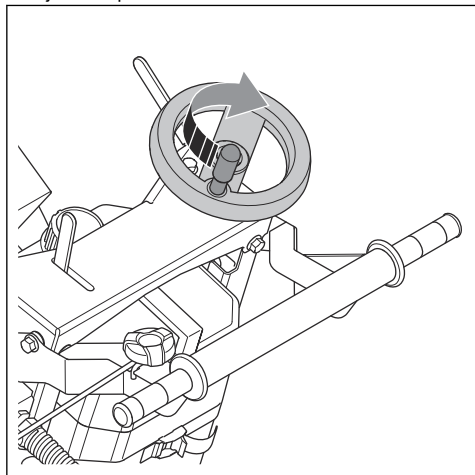
CUIDADO: Existe o risco de danificar o disco de corte se este for instalado no sentido oposto ao sentido de rotação. Certifique-se de que o disco de corte roda na direção das setas apresentadas no mesmo.



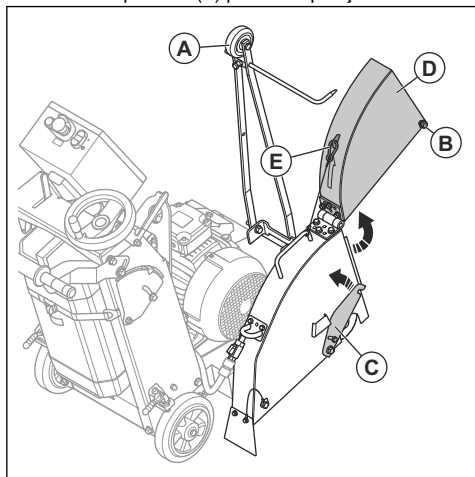
Nota: A alavanca da roda de ajuste da profundidade de corte deve estar sempre bloqueada quando a roda de ajuste da profundidade de corte não estiver a ser utilizada.

1. Pare o motor e desligue o produto da tomada de parede.

2. Rode a roda de ajuste da profundidade de corte para a direita para elevar completamente o disco de corte. Empurre a alavanca para bloquear a roda de ajuste da profundidade de corte.

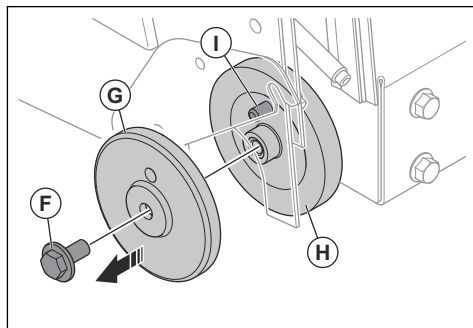


3. A proteção do disco deve ser instalada no mesmo lado do produto que o disco de corte. Se a proteção do disco não estiver instalada no lado correto, consulte *Instalar a proteção do disco na página 284*.
4. Levante o ponteiro (A) para uma posição vertical.



5. Desaperte o parafuso dianteiro (B) da proteção do disco e levante o trinco da proteção do disco (C).
6. Levante a proteção do disco dianteira (D).
7. Bloquee a proteção do disco na posição vertical com o fio e o mosquetão (E).

8. Remova o parafuso do disco (F) com a chave e a contrachave fornecidas.



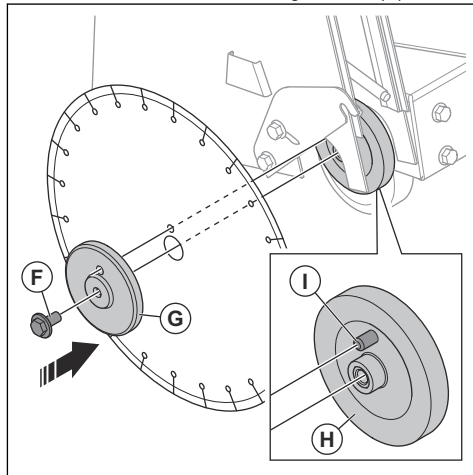
Nota: O parafuso do disco no lado direito do produto tem uma rosca à esquerda. O parafuso do disco no lado esquerdo do produto tem uma rosca à direita.

9. Remova o flange do disco (G).



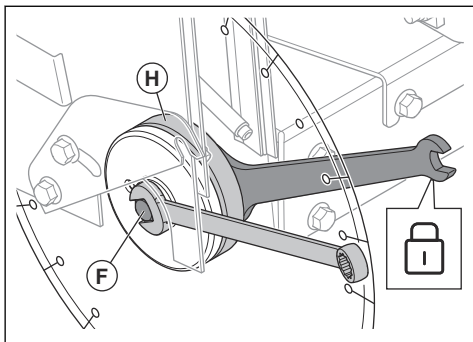
ATENÇÃO: Peças danificadas ou sujas podem impedir a instalação correta do disco de corte. Examine o parafuso do disco (F), o flange do disco (G), o flange interior (H) e o pino de bloqueio (I) quanto a danos. Substitua as peças gastas ou danificadas. Limpe as superfícies de contacto do disco de corte e os flanges. Limpe as roscas do parafuso do disco e o flange interior.

10. Instale o disco de corte no flange interior (H).

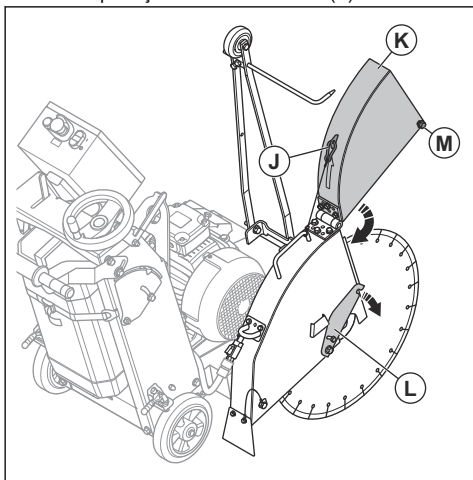


11. Instale o flange do disco (G) e o parafuso do disco (F). Certifique-se de que o pino de bloqueio (I) no flange interior passa através do disco de corte para o flange do disco (G).

12. Segure e empurre o disco de corte no sentido inverso ao da rotação. Ao mesmo tempo, aperte o parafuso do disco (F) com a chave fornecida.
13. Bloqueie o flange interior (H) com a chave fornecida e aperte o parafuso do disco (F) com a outra chave fornecida.



14. Aperte o parafuso do disco (F) com um binário de 100 Nm/74 pés-lbs.
15. Desbloqueie a proteção do disco do mosquetão (J) e baixe a proteção do disco dianteira (K).



16. Coloque o trinco da proteção do disco (L) no parafuso dianteiro da proteção do disco. Aperte o parafuso dianteiro (M) da proteção do disco.



CUIDADO: Não utilize o produto sem a proteção do disco dianteira descida e o trinco da proteção do disco engatado. Não utilize o produto se existirem peças danificadas.

17. Certifique-se de que o parafuso do disco no lado oposto do produto está apertado.
18. Ligue o produto. Consulte *Arranque na página 288*.

19. Preste atenção aos sons invulgares. Se existirem ruídos invulgares, retire o disco de corte.
 - a) Examine o disco de corte quanto à existência de danos.
 - b) Instale novamente o disco de corte. Substitua o disco de corte, caso esteja danificado.

Retirar a lâmina de corte



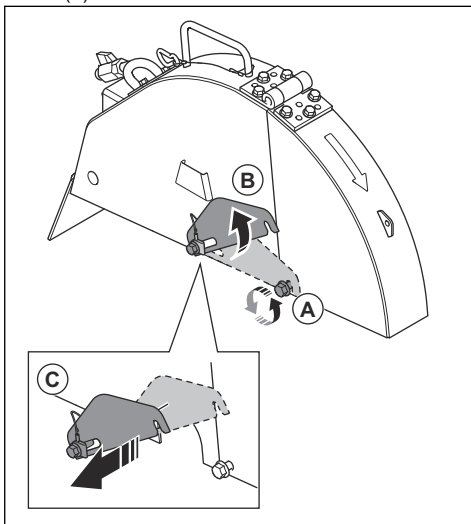
ATENÇÃO: Quando retirar lâminas de diamante, aguarde que o produto arrefeça e utilize luvas de proteção. As lâminas de diamante estão muito quentes após a utilização.

- Retire a lâmina de corte na sequência oposta à de instalação. Consulte *Instalar um disco de corte na página 282*.

Instalar a proteção do disco

A proteção do disco deve ser instalada no mesmo lado do produto que o disco de corte. Se necessário, desloque o trinco da proteção do disco para o lado correto da proteção do disco.

1. Se o trinco da proteção do disco não estiver instalado no lado correto da proteção do disco, efetue o procedimento que se segue.
 - a) Desaperte os 2 parafusos para a cobertura do flange e remova a cobertura do flange.
 - b) Desaperte o parafuso dianteiro (A) da proteção do disco e levante o trinco da proteção do disco (B).



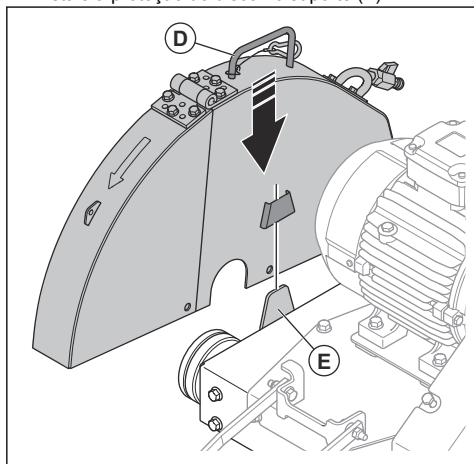
- c) Remova o parafuso traseiro e o trinco da proteção do disco (C).

2. Desloque o trinco da proteção do disco para o lado oposto da proteção do disco. Execute o procedimento que se segue.
 - a) Instale o trinco da proteção do disco e aperte o parafuso traseiro.
 - b) Coloque o trinco da proteção do disco no parafuso dianteiro da proteção do disco. Aperte o parafuso dianteiro (A).

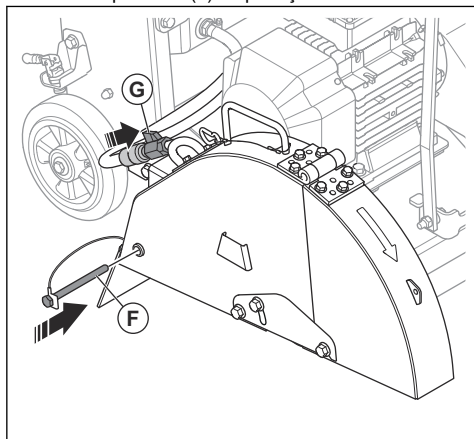


CUIDADO: Não opere o produto sem o trinco da proteção do disco engatado. Não utilize o produto se existirem peças danificadas.

3. Utilize o punho (D) para elevar a proteção do disco e instale a proteção do disco no suporte (E).

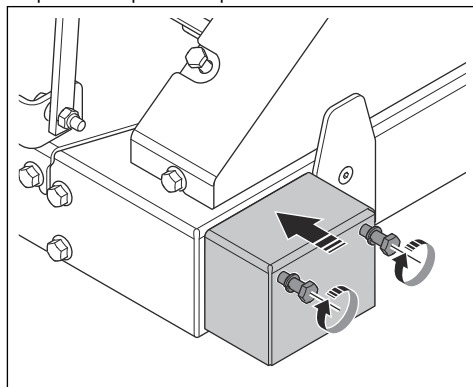


4. Instale o parafuso (F) da proteção do disco.



5. Ligue a mangueira de água (G).

6. Instale a cobertura do flange no lado oposto do produto e aperte os 2 parafusos.



Remover a proteção da lâmina

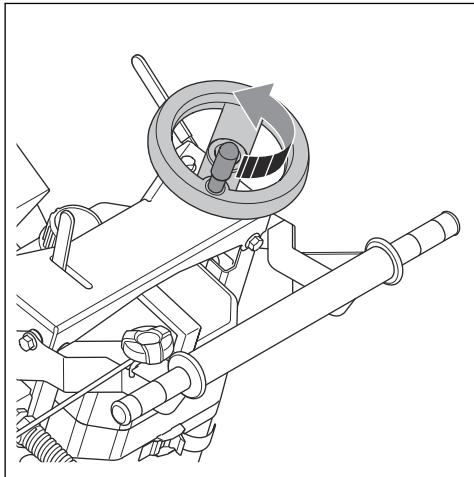
1. Pare o motor. Consulte *Desligar o produto na página 289*.
2. Remova a proteção do disco na sequência oposta à da instalação. Consulte *Instalar a proteção do disco na página 284*.

Definir o indicador da profundidade de corte

O indicador tem de ser calibrado antes de utilizar o produto.

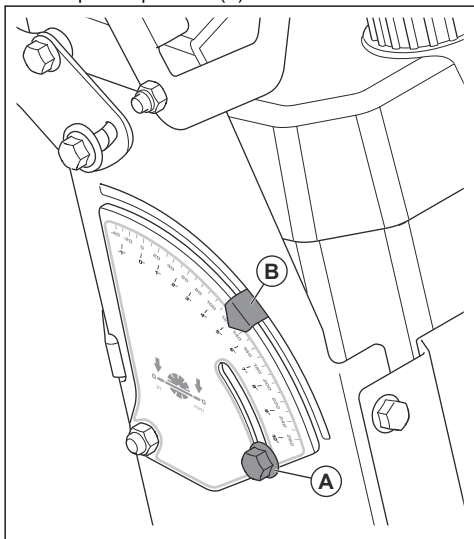
Nota: A alavanca da roda de ajuste da profundidade de corte deve estar sempre bloqueada quando a roda de ajuste da profundidade de corte não estiver a ser utilizada.

1. Rode a roda reguladora da profundidade de corte até que a lâmina de corte toque ligeiramente no solo. Empurre a alavanca para bloquear a roda de ajuste da profundidade de corte.



CUIDADO: Não desça a lâmina de corte demasiado rápido. Se a lâmina de corte atingir a superfície com força, pode provocar danos na lâmina de corte.

2. Desaperte o parafuso (A).



3. Rode a placa indicadora até que a posição "0" esteja no centro da seta (B).
4. Aperte o parafuso (A).

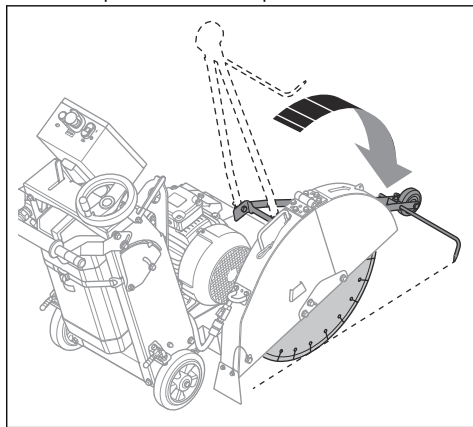


CUIDADO: Verifique sempre se a profundidade de corte é a correta. O indicador ajuda-o a saber a profundidade de corte correta mas só lhe confere uma indicação do valor da profundidade.

Alinhar o ponteiro com a lâmina de corte

Nota: O ponteiro tem de estar alinhado com a lâmina de corte.

1. Coloque o flange interior ao longo de uma linha.
2. Baixe o ponteiro e alinhe o produto com as marcas.



3. Alinhe o ponteiro com a linha.
4. Se necessário, ajuste o ponteiro até ficar alinhado com a linha.

Técnicas básicas de trabalho



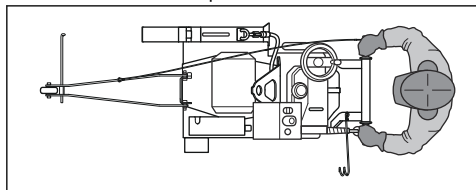
ATENÇÃO: O eixo da lâmina roda quando o motor é ligado.

- Certifique-se de que pode premir o botão de paragem da máquina em qualquer momento durante o funcionamento.
- Certifique-se de que não existem ferramentas ou outros objetos deixados no produto.
- Mantenha o controlo do produto quando liga o motor.
- Certifique-se de que a proteção da lâmina está devidamente instalada antes de ligar o produto. Não corte sem a proteção da lâmina.
- Faça marcas de linha para todos os cortes antes de iniciar a operação. Certifique-se de que não existe risco para o operador ou para o produto.

- Não rode, nem movimente o produto de um lado para o outro enquanto a lâmina de corte roda.
- Certifique-se de que existe sempre 1 outra pessoa por perto se utilizar o produto. Se ocorrer um acidente, pode obter ajuda dessa pessoa.
- Não se afaste do produto apenas sem que o travão de estacionamento esteja engatado.

Utilizar a técnica de trabalho adequada

- Mantenha-se afastado do percurso do disco de corte enquanto o motor estiver ligado. O operador deve posicionar-se corretamente atrás dos punhos com ambas as mãos nos punhos.



- Durante o dia de trabalho, verifique frequentemente se a lâmina de corte apresenta fissuras e peças partidas. Não utilize um disco de corte danificado.



ATENÇÃO: Antes de examine o disco de corte, desligue o motor e a ficha de alimentação.

- Não triture com a parte lateral do disco de corte. O disco de corte pode partir-se e causar ferimentos ao operador ou a terceiros. Utilize apenas a extremidade cortante.
- Não dobre, nem torça a lâmina de corte durante o corte.
- Certifique-se de que a lâmina de corte se move livremente e não fica presa no corte.

Abastecimento de água

O disco de corte deve ter um fornecimento de água suficiente durante o funcionamento. Utilize água do depósito de água no produto ou de uma mangueira de água externa. Consulte *Encher o depósito de água na página 287* e *Ligar o fornecimento de água externo na página 288*.

Encher o depósito de água

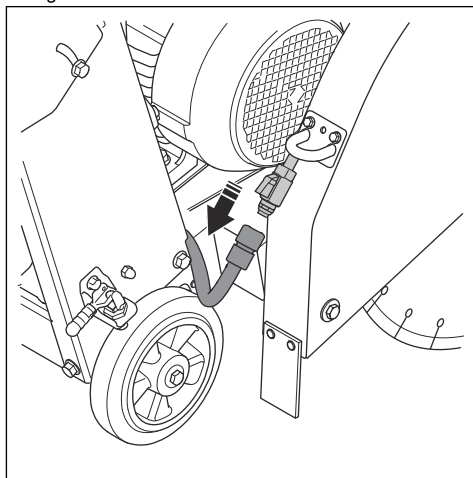


ATENÇÃO: Coloque apenas água no depósito. Não coloque outros líquidos no depósito de água.

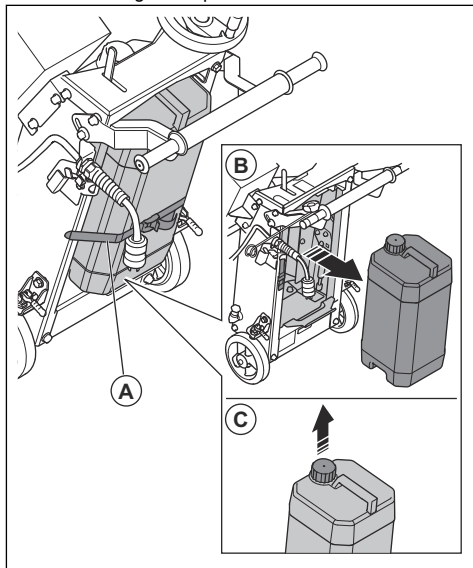


ATENÇÃO: Certifique-se de que o disco de corte está ligeiramente acima do solo quando rodar a torneira de água para ajustar o volume de água.

1. Feche a torneira de água e desligue a mangueira de água.

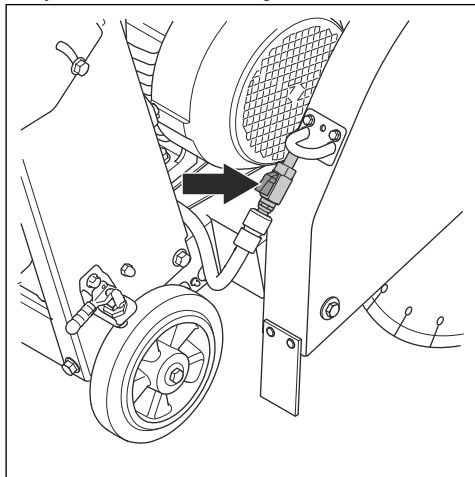


2. Remova a cinta do depósito da água (A) e o depósito da água (B). Não derrame água no produto. Afaste o depósito de água para uma distância segura do produto.



3. Remova a tampa do depósito da água (C) e encha o depósito da água com água.
4. Instale a tampa do depósito de água.
5. Instale o depósito de água.
6. Instale a cinta do depósito de água e ligue a mangueira de água.

7. Rode a torneira de água na proteção do disco para ajustar o fornecimento de água.

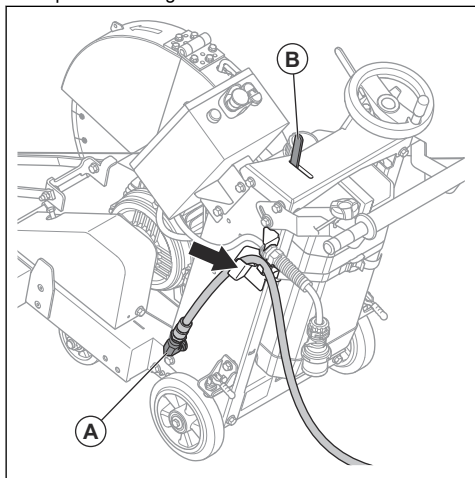


Ligar o fornecimento de água externo

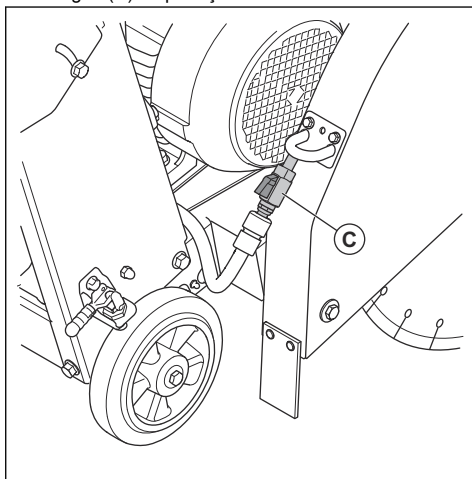


ATENÇÃO: Certifique-se de que o disco de corte está ligeiramente acima do solo quando rodar a torneira de água para ajustar o volume de água.

1. Ligue a mangueira de água externa da entrada de água (A). Coloque a mangueira de água externa no suporte da mangueira.



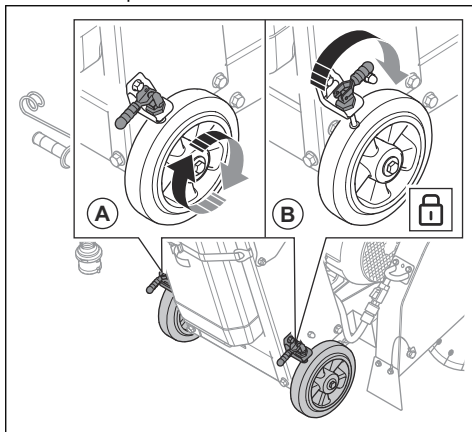
2. Para iniciar ou parar o fornecimento de água, empurre a válvula da água (B) ou rode a torneira da água (C) na proteção do disco.



3. Para ajustar o fornecimento de água, empurre a válvula da água ou rode a torneira da água na proteção do disco.

Engatar e desengatar os travões de estacionamento

1. Desengate os travões de estacionamento (A) para deslocar o produto.



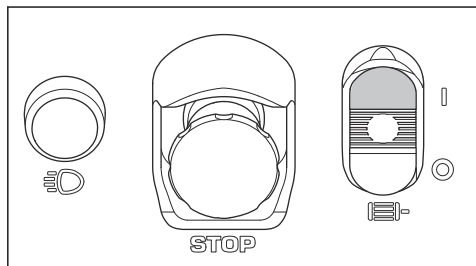
2. Engate os travões de estacionamento (B) para manter o produto em posição.

Arranque



ATENÇÃO: Certifique-se de que o disco de corte fica ligeiramente acima do pavimento.

- Coloque o botão ON/OFF em "I" para ligar o produto. Em menos de 5 segundos, o produto está a funcionar à velocidade normal de funcionamento.



Parar o funcionamento

Nota: A alavanca da roda de ajuste da profundidade de corte deve estar sempre bloqueada quando a roda de ajuste da profundidade de corte não estiver a ser utilizada.

1. Puxe a alavanca para desbloquear a roda de ajuste da profundidade de corte.
2. Rode a roda de ajuste da profundidade de corte até que o disco de corte esteja ligeiramente acima do pavimento.
3. Empurre a alavanca para bloquear a roda de ajuste da profundidade de corte.
4. Rode a torneira de água ou empurre a válvula de água para parar o fornecimento de água. Consulte *Ligar o fornecimento de água externo na página 288*.

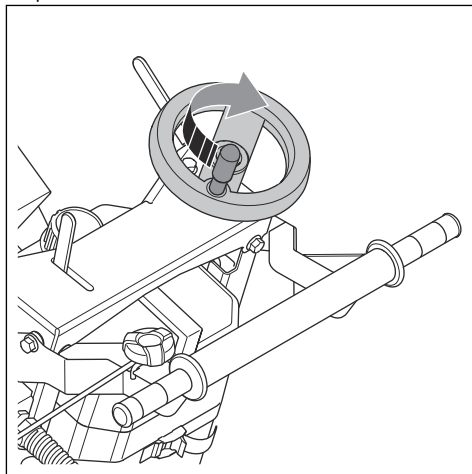
Desligar o produto



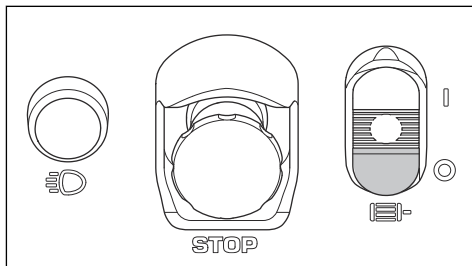
ATENÇÃO: A lâmina de corte roda durante algum tempo após a paragem do motor.

Nota: A alavanca da roda de ajuste da profundidade de corte deve estar sempre bloqueada quando a roda de ajuste da profundidade de corte não estiver a ser utilizada.

1. Rode a roda de ajuste da profundidade de corte para a direita para elevar o disco de corte. Empurre a alavanca para bloquear a roda de ajuste da profundidade de corte.



2. Coloque o botão ON/OFF na posição "0" para parar o motor.



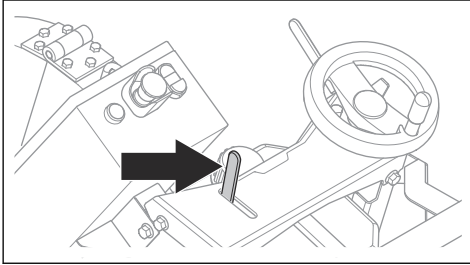
3. Acione os travões de estacionamento.
4. Desligue a ficha de alimentação.

Cortar a superfície

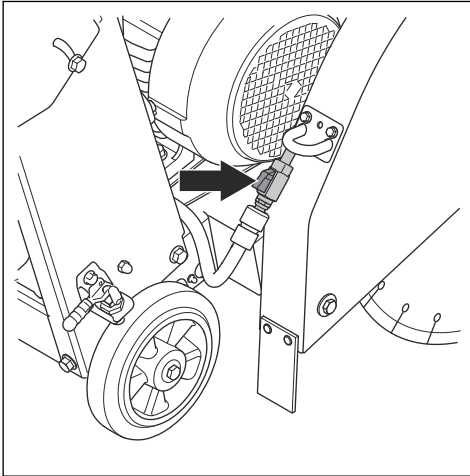
Nota: A alavanca da roda de ajuste da profundidade de corte deve estar sempre bloqueada quando a roda de ajuste da profundidade de corte não estiver a ser utilizada.

1. Alinhe o disco de corte com as marcas no solo ou no corte de guia.

2. Se for utilizada uma mangueira de água externa, empurre a válvula de água para permitir que a ativação ou desativação do fornecimento de água.

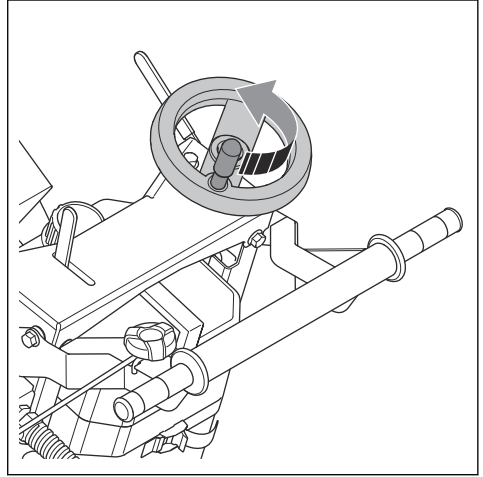


3. Rode a torneira de água para ajustar o fornecimento de água.

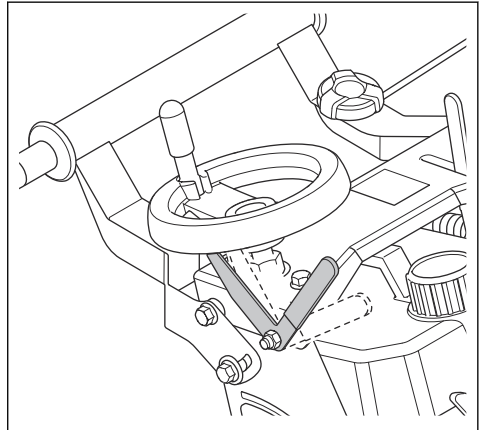


4. Verifique o fluxo de água. Se necessário, ajuste o fornecimento de água.
5. Ligue o motor. Consulte *Arranque na página 288*.

6. Rode lentamente a roda reguladora da profundidade de corte para a esquerda para baixar o disco de corte.



7. Efetue um corte como guia, aproximadamente 20 a 30 mm.
8. Efetue incrementos de 50 mm até obter a profundidade necessária. Empurre a alavanca para bloquear a roda de ajuste da profundidade de corte.



9. Ajuste o fornecimento de água quando operar o produto. Cada um dos lados do disco de corte deve dispor de fornecimento de água suficiente para arrefecer o disco de corte. A água também evita a acumulação de pó.
10. Corte apenas em linha, alinhe o disco de corte com as marcas.
11. Empurre lentamente o produto para a frente e certifique-se de que o ponteiro e o disco de corte estão alinhados com as marcas.



CUIDADO: Não mova o produto de um lado para o outro para alinhar a lâmina de corte com as marcas.

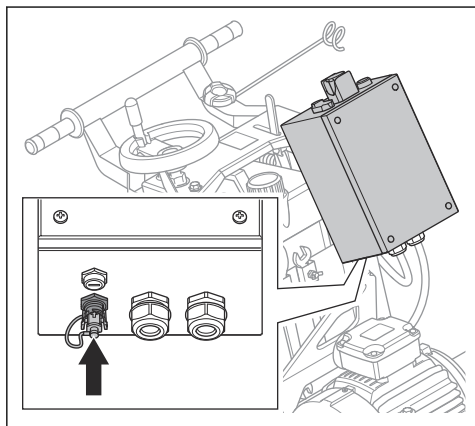
Para utilizar o kit de iluminação

O kit de iluminação é um acessório. Utilize apenas a saída de 24 V para a luz de trabalho para kits de iluminação aprovados pela Husqvarna.

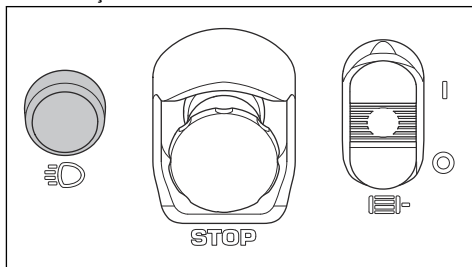


ATENÇÃO: Não olhe para o feixe.

1. Instale o kit de iluminação na tomada de 24 V da luz de trabalho.



2. Prima o interruptor das luzes para que o kit de iluminação se acenda.



3. Prima novamente o interruptor das luzes para que o kit de iluminação se desligue.

Manutenção

Introdução



ATENÇÃO: Certifique-se de que leu e compreendeu o capítulo sobre segurança antes de realizar tarefas de manutenção no produto.

É necessária formação especial para realizar qualquer tarefa de manutenção ou reparação. Garantimos a disponibilidade de serviços profissionais de reparação e assistência. Se o seu revendedor não for uma oficina autorizada, pergunte-lhes onde se situa a oficina autorizada mais próxima.

Para obter peças sobressalentes, contacte o seu revendedor Husqvarna ou oficina autorizada.

A realizar antes da manutenção

- Certifique-se de que o produto não pode mover-se durante a manutenção. Engate os travões de estacionamento e coloque calços de rodas atrás e à frente das rodas.
 - Antes de realizar tarefas de limpeza, manutenção ou montagem do produto, desligue sempre a ficha da tomada de alimentação.
 - Limpe o óleo e a sujidade da área em redor do produto. Remova objetos indesejáveis.
 - Coloque sinais claros em torno da área de manutenção para avisar as pessoas de que o trabalho de manutenção está em curso.
 - Mantenha os extintores de incêndio, os produtos médicos e um telefone de emergência por perto.
- Estacione o produto numa superfície nivelada e pare o motor. Prima o botão de paragem da máquina no painel de controlo para evitar o arranque acidental durante a manutenção.

Esquema de manutenção

Manutenção	Diariamente	Mensalmente
Limpe as superfícies externas do produto com água. Consulte <i>Limpar o produto na página 292</i> .	X	
Efetue uma inspeção geral. Consulte <i>Efetuar uma inspeção geral na página 293</i> .	X	
Verifique a correia da transmissão. Se necessário, ajuste a tensão da correia da transmissão. Consulte <i>Ajustar a tensão da correia da transmissão na página 293</i> .	X	
Verifique o botão de paragem da máquina. Consulte <i>Verificar o botão de paragem da máquina na página 279</i> .	X	
Verifique o botão ON e o botão OFF. Consulte <i>Verificar o botão ON e o botão OFF na página 279</i> .	X	
Verifique o fluxo de água. Se o fluxo de água não for suficiente, verifique o filtro de água. Se necessário, limpe o filtro principal. Consulte <i>Limpar o filtro de água na página 292</i> .	X	
Verifique as proteções da lâmina. Consulte <i>Verificar a proteção do disco na página 280</i> .	X	
Verifique a lâmina de corte. Consulte <i>Discos de corte na página 281</i> .	X	
Lubrifique os casquilhos e a alavanca de ajuste da profundidade de corte. Consulte <i>Lubrificar o produto na página 293</i> .	X	
Lubrifique a porca na placa da correia da transmissão e no eixo. Consulte <i>Lubrificar o produto na página 293</i> .		X

Limpar o produto



ATENÇÃO: Utilize óculos de proteção. Quando limpa o produto, é possível que exista projeção de sujidade e materiais nocivos do mesmo.



CUIDADO: Uma admissão de ar obstruída diminui o desempenho do produto e pode resultar no sobreaquecimento do motor.

- Deixe o produto arrefecer antes de o limpar.
- Não limpe componentes elétricos com água.
- Utilize um agente de limpeza fraco. Coloque luvas de proteção para evitar irritações na pele.
- No final do dia de trabalho, limpe sempre todo o equipamento. Não utilize uma máquina de lavar de alta pressão para limpar o produto.
- Remova quaisquer obstruções de todas as aberturas de ar.

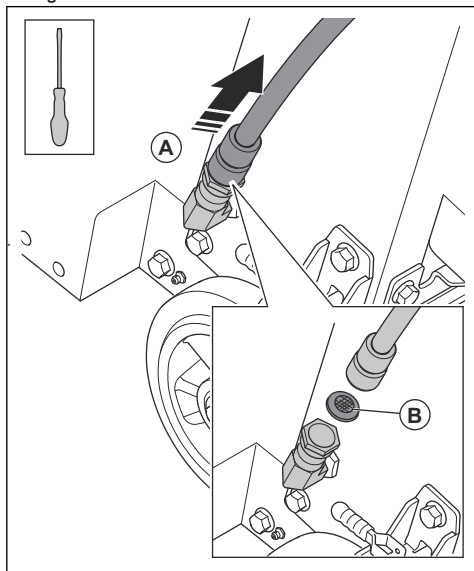
Limpar o filtro de água



CUIDADO: Um filtro de água obstruído diminui o fluxo de água para o disco de

corte e pode fazer com que o disco de corte fique demasiado quente.

1. Desligue a mangueira externo (A) da entrada de água.



2. Remova o filtro de água (B) com uma chave de fendas.
3. Verifique o filtro de água. Se necessário, limpe o filtro principal.
4. Instale o filtro de água e ligue a mangueira externa.

Efetuar uma inspeção geral

- Certifique-se de que as porcas e os parafusos do produto estão apertados.
- Certifique-se de que os cabos no produto não estão numa posição suscetível a danos.
- Verifique se as peças elétricas apresentam danos. Não utilize um produto com peças elétricas danificadas.
- Examine as mangueiras de água quanto a fugas. Não opere um produto com mangueiras de água danificadas.

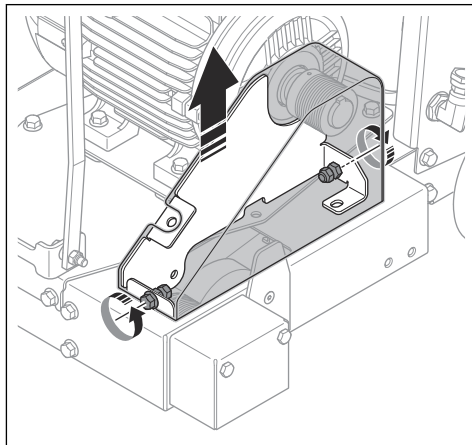
Ajustar a tensão da correia da transmissão



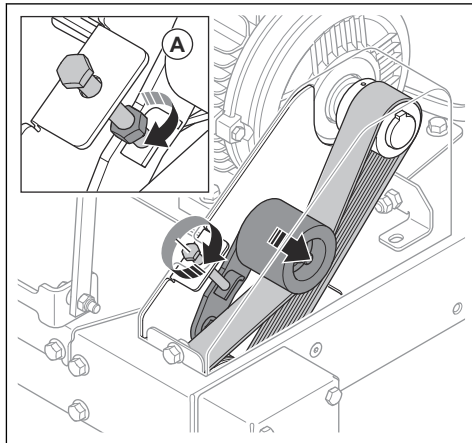
CUIDADO: Certifique-se de que a correia da transmissão não está danificada.

A tensão de uma correia de transmissão nova tem de ser ajustada após 2 horas.

1. Desaperte os 2 parafusos e retire a cobertura da correia da transmissão.



2. Desaperte a porca de fixação (A).



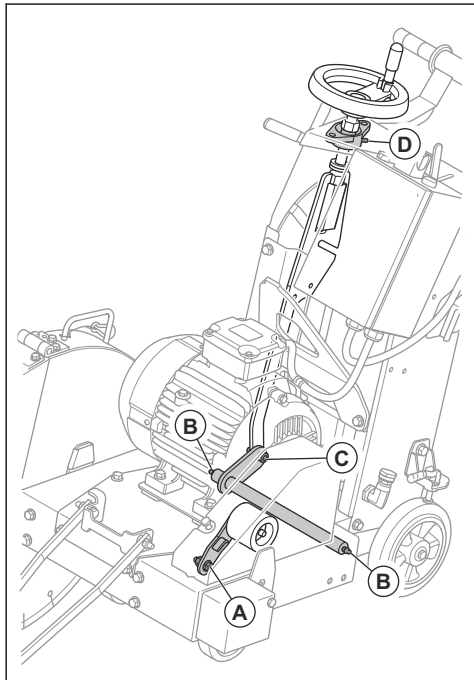
3. Rode o parafuso tensor para ajustar a pressão da polia contra a correia da transmissão. A tensão da correia de transmissão está correta quando a frequência da correia de transmissão está no intervalo indicado em *Especificações técnicas na página 296*.
4. Aperte a porca de fixação.
5. Instale a cobertura da correia da transmissão e aperte os 2 parafusos.

Lubrificar o produto

Nota: A alavanca da roda de ajuste da profundidade de corte deve estar sempre bloqueada quando a roda de ajuste da profundidade de corte não estiver a ser utilizada.

Lubrifique os componentes seguintes. Lubrifique até ver a massa lubrificante nas extremidades. Para mais informações sobre a massa lubrificante correta, consulte *Especificações técnicas na página 296*.

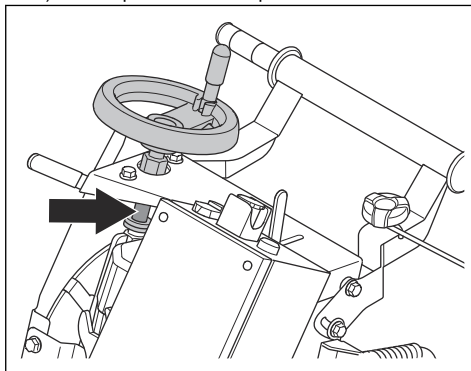
1. Ligue a bomba de massa lubrificante aos copos de lubrificação.
2. Lubrifique o casquilho (A) na placa da correia da transmissão com uma escova.
3. Lubrifique os casquilhos (B) do lado esquerdo e do lado direito do produto. Utilize uma bomba de massa lubrificante.



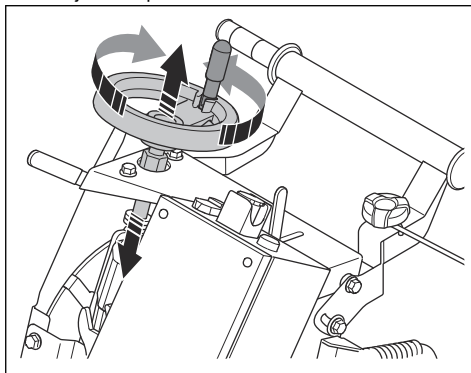
4. Lubrifique o eixo (C) com uma escova.

5. Lubrifique os pontos de lubrificação da alavanca de ajuste da profundidade de corte (D). Utilize uma bomba de massa lubrificante.

a) Lubrifique o eixo sob a porca.



b) Rode a roda reguladora da profundidade de corte para a direita e para a esquerda repetidamente e lubrifique-a uniformemente. Empurre a alavanca para bloquear a roda de ajuste da profundidade de corte.



Resolução de problemas

O produto não liga

- Certifique-se de que a fonte de alimentação e o cabo de alimentação não estão danificados.
- Examine o botão de paragem da máquina, rode o botão para a direita para desativar o botão de paragem da máquina.
- Examine o indicador de erro. Consulte *Indicador de erro na página 295*.

O produto para subitamente

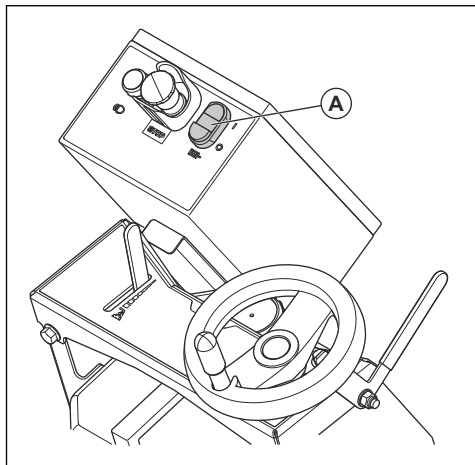
- Se a carga de trabalho for demasiado pesada para o produto, a proteção do motor é acionada e para o motor. Consulte *Indicador de erro na página 295*.

O produto para durante o arranque

É necessária uma tensão de alimentação correta para o bom desempenho do motor. Os cabos de extensão demasiado compridos ou demasiado fracos resultam na diminuição da potência do motor durante o funcionamento.

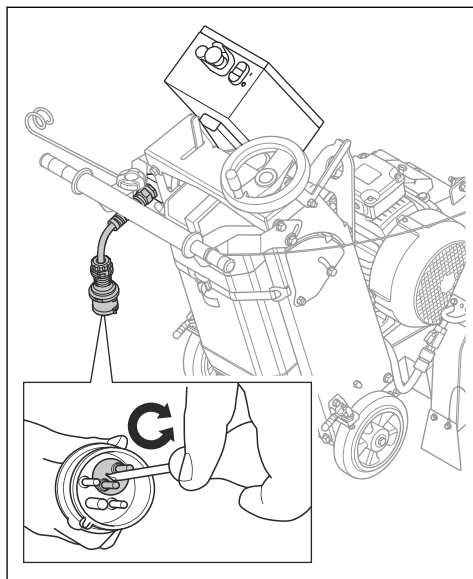
- Se a carga de trabalho for demasiado pesada para o produto, a proteção do motor é acionada e para o motor. Consulte *Indicador de erro na página 295*.
- Certifique-se de que os cabos de extensão não são demasiado longos ou demasiado fracos. Tente ligar novamente o produto.
- Certifique-se de que o disco de corte se move livremente.
- Se o produto continuar a parar durante o arranque, contacte uma oficina de assistência aprovada.

Indicador de erro



O indicador de erro (A) acende-se nas seguintes situações:

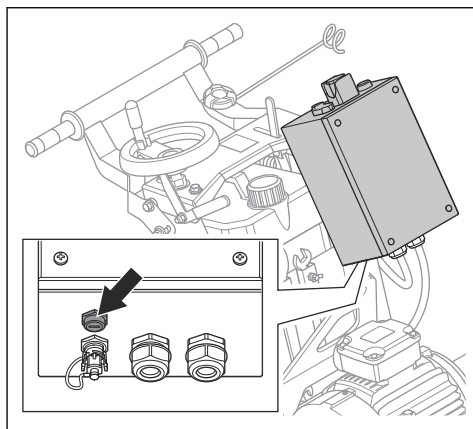
- O motor foi sobrecarregado. O motor para.
- ocorreu um erro de fase. É necessário ajustar a ficha de alimentação.



Deixe a proteção do motor arrefecer e o indicador de erro se desligar antes de ligar novamente o motor. Deve aguardar cerca de 60 segundos.

A luz de trabalho não liga

- Examine o fusível da luz de trabalho. Se o fusível estiver queimado, substitua-o por um fusível correto. Consulte *Especificações técnicas na página 296*.



Transporte, armazenamento e eliminação

Transporte

- Remova a lâmina de corte antes do transporte.
- Este produto é pesado. Tenha cuidado ao levantar o produto, pois existe o risco de ferimentos. Consulte *Elevar o produto na página 296*.

- Respeite os requisitos especiais relativos ao transporte comercial.
- Proteja o produto durante o transporte. Certifique-se de que o produto não se move.

Elevar o produto



ATENÇÃO: Certifique-se de que o equipamento de elevação tem as dimensões corretas. A etiqueta de tipo do produto indica o peso do produto.



ATENÇÃO: Certifique-se de que o olhal de elevação não está danificado.



ATENÇÃO: Não caminhe nem permaneça debaixo ou próximo de um produto elevado.

- Utilize o equipamento de elevação correto para elevar o produto. Não eleve o produto manualmente.
- Utilize o olhal de elevação que está fixado ao produto ao elevá-lo.
- Utilize botas com biqueira de aço e sola antiderrapante.

Armazenamento do produto

- Mantenha o produto numa área trancada para impedir o acesso a crianças ou pessoas que não disponham de aprovação.
- Mantenha sempre o produto no interior.
- Mantenha o produto num local seco e sem gelo.
- Retire a lâmina de corte do produto após a utilização. Quando armazenar a lâmina de corte, esta tem de estar seca.
- Coloque o produto numa superfície plana e nivelada.

Eliminação

Os símbolos no produto ou na respetiva embalagem indicam que este produto não pode ser tratado como um resíduo doméstico. Tem de ser enviado para uma estação de reciclagem adequada para a recuperação de equipamentos elétricos e eletrónicos.

Ao garantir que este produto é tratado corretamente, pode ajudar a neutralizar o potencial impacto negativo sobre o meio ambiente e as pessoas, que de outra forma pode resultar da gestão incorreta dos resíduos deste produto. Para informações mais detalhadas sobre a reciclagem deste produto, contacte o seu município, o serviço de recolha de resíduos domésticos ou a loja onde adquiriu o produto.

Especificações técnicas

Especificações técnicas

Potência do motor, kW	7,5
Tensão nominal, VAC @ frequência, Hz	3~400 @ 50 (CE) 3~415 @ 50 (AUS)
Corrente nominal, A	15
Ficha de alimentação	CEE, 3~, 16 A (CE) 56P420, 20 A, 500 V (AUS)
Diâmetro máx. do disco, mm	600
Profundidade máx. de corte, mm	240
Velocidade de rotação máxima do fuso (à rotação nominal do motor de 2925 rpm), rpm	1765
Diâmetro da haste, mm	25,4
Diâmetro do flange da lâmina, mm	116
Pressão da água máx., bar	6
Peso nominal (desempacotado), kg	178
Peso máximo em operação sem depósito de água, kg	183

Peso máximo em operação com depósito de água cheio, kg	214
Massa lubrificante	Massa lubrificante DIN 51825, classe K2K-30 ou K3K-30
Tensão correta da correia, Hz	88-93
Tomada para a luz de trabalho, VDC	24
Fusível para a luz de trabalho, A	4 (5x20 mm)
Binário do parafuso do disco, Nm/pés-lbs	100/74

Níveis acústicos

Emissões de ruído e vibração	
Nível de potência sonora L_{WA} (medido), dB (A)	105
Nível de potência sonora L_{WA} (garantido), dB (A) ²⁸	107
Nível de pressão sonora ao nível do ouvido do operador, dB(A) ²⁹	83
Níveis de vibração a_{HV} , m/s^2 , punho direito/punho esquerdo ³⁰	2,6/3,1

Declaração de ruído e vibração

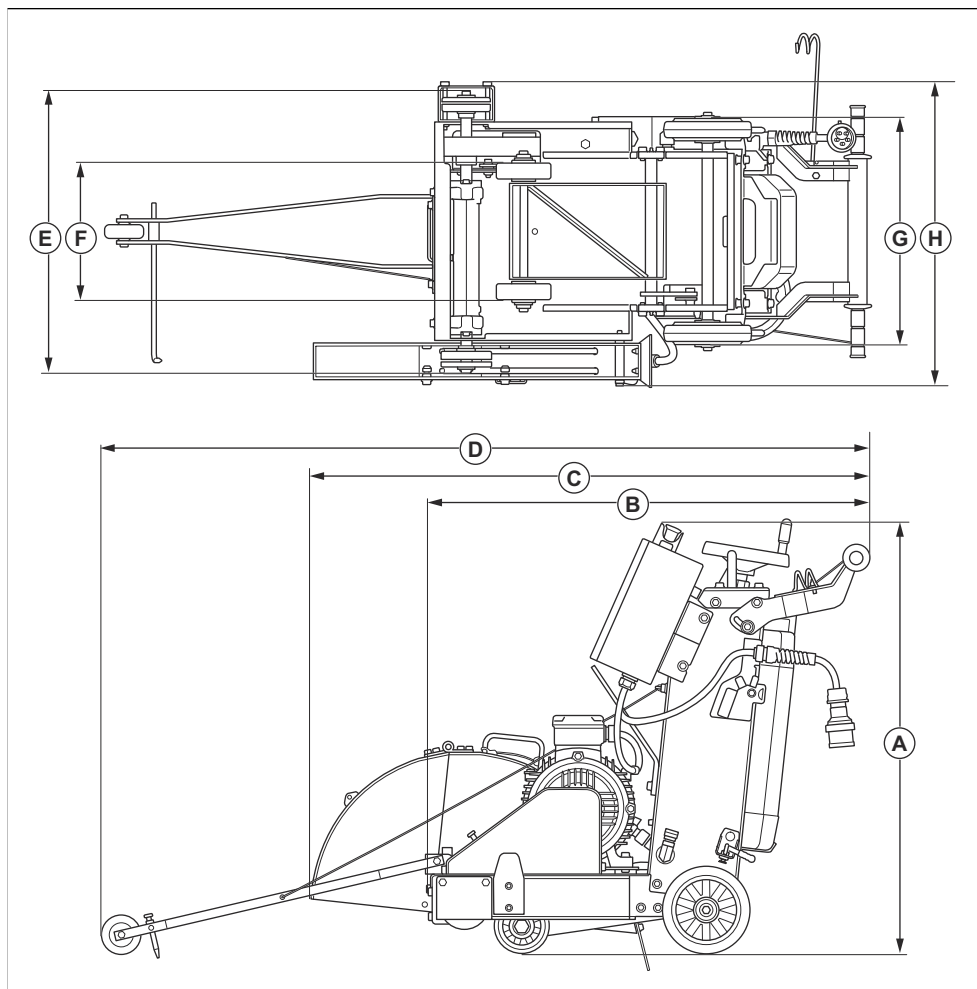
Estes valores declarados foram obtidos através de testes laboratoriais de acordo com a diretiva ou as normas indicadas e são adequados para comparação com os valores declarados de outros produtos testados de acordo com a mesma diretiva ou as mesmas normas. Estes valores declarados não são adequados para utilização em avaliações de risco e os valores medidos em locais de trabalho individuais podem ser superiores. Os valores de exposição reais e o risco de danos sofridos por um utilizador individual são únicos e dependem da forma como o utilizador trabalha, do material onde o produto é utilizado, bem como do tempo de exposição e da condição física do utilizador, e do estado do produto.

²⁸ Emissões de ruído para as imediações, medidas sob forma de potência sonora (L_{WA}) em conformidade com a diretiva da CE 2000/14/CE. A diferença entre a potência sonora garantida e medida é que a potência sonora garantida inclui também a dispersão no resultado da medição e as variações entre diferentes máquinas do mesmo modelo, de acordo com a diretiva 2000/14/CE.

²⁹ Nível de ruído em conformidade com a norma EN 13862. Os dados comunicados relativamente ao nível de pressão de ruído têm uma dispersão estatística típica (desvio padrão) de 2,5 dB (A)

³⁰ Nível de vibração em conformidade com a norma EN 13862. Os dados comunicados relativamente ao nível de vibração têm uma dispersão estatística típica (desvio padrão) de 1 m/s^2

Dimensões do produto



A	Altura, mm	985	E	Largura mín. (a proteção do disco não está instalada), mm	645
B	Comprimento mín. (ponteiro para cima e proteção do disco ou disco de corte não instalados), mm	1010	F	Largura das rodas dianteiras, mm	320
C	Comprimento (ponteiro para cima e proteção do disco instalada), mm	1275	G	Largura das rodas traseiras, mm	520

D	Comprimento máx. (ponteiro para baixo), mm	1750	H	Largura máx. (a proteção do disco está instalada), mm	700
----------	--	------	----------	---	-----

Acessórios

Acessórios aprovados Husqvarna

- Kit de iluminação.
- Depósito de água.

Declaração de conformidade

Declaração europeia de conformidade

Nós, a Husqvarna AB, SE 561 82 Huskvarna, SUÉCIA, Tel.: +46 36 146500, declara, sob sua inteira responsabilidade, que o produto:

Descrição da peça	Máquina de corte de pavimento
Marca	HUSQVARNA
Tipo/Modelo	FS 600 E
Identificação	Números de série referentes a 2021 e posteriores

está em plena conformidade com as seguintes diretivas e regulamentos da UE:

Diretiva/Regulamento	Descrição da peça
2006/42/EC	"relativa a máquinas"
2014/30/EU	"relativa à compatibilidade eletromagnética"
2000/14/EC	"relativa ao ruído exterior"
2011/65/EU	"relativa à restrição de substâncias perigosas"

e que as seguintes normas e/ou especificações técnicas são aplicadas;

EN ISO 12100:2010

EN 13862:2001+A1:2009

EN 55014-1:2021

EN 61000-6-2:2019

EN 61000-3-2:2019+A1:2021

EN 61000-3-3:2013+A1:2019

EN IEC 63000:2018

Procedimento de avaliação de conformidade segundo 2000/14/CE: Anexo V.

Para mais informações sobre as emissões sonoras, consulte *Especificações técnicas na página 296*.

Partille, 2021-12-08

Erik Silfverberg

Diretor de I&D, Equipamento de corte e perfuração de betão

Husqvarna AB, divisão de Construção

Responsável pela documentação técnica



Innehåll

Introduktion.....	301	Transport, förvaring och kassering.....	324
Säkerhet.....	305	Tekniska data.....	325
Drift.....	310	Tillbehör.....	328
Underhåll.....	320	Försäkran om överensstämmelse.....	329
Felsökning.....	323		

Introduktion

Produktbeskrivning

Produkten är en elektrisk gångmanövrerad golvsåg.

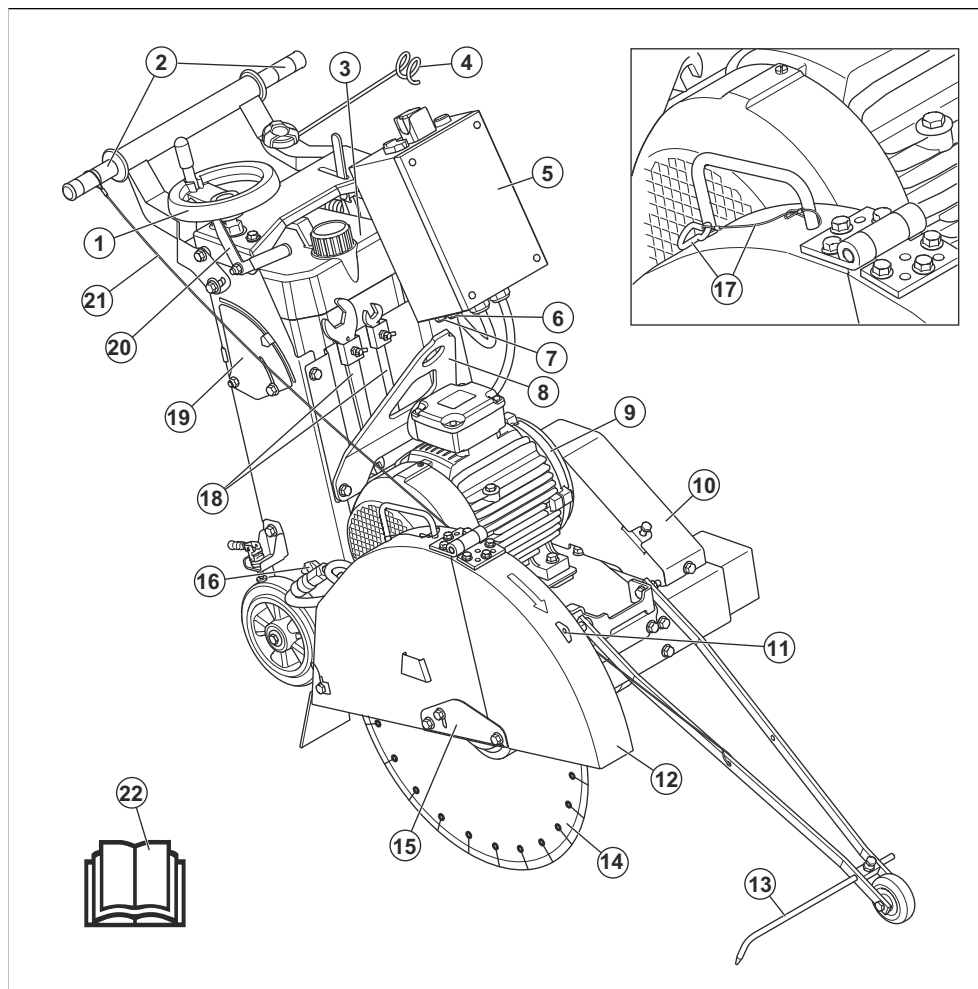
Avsedd användning

Produkten används tillsammans med diamantklingor för våtkapning av hårda golvytmaterial som betong, asfalt och sten. All annan användning är felaktig.

Produkten används inom industriverksamhet av användare med erfarenhet.

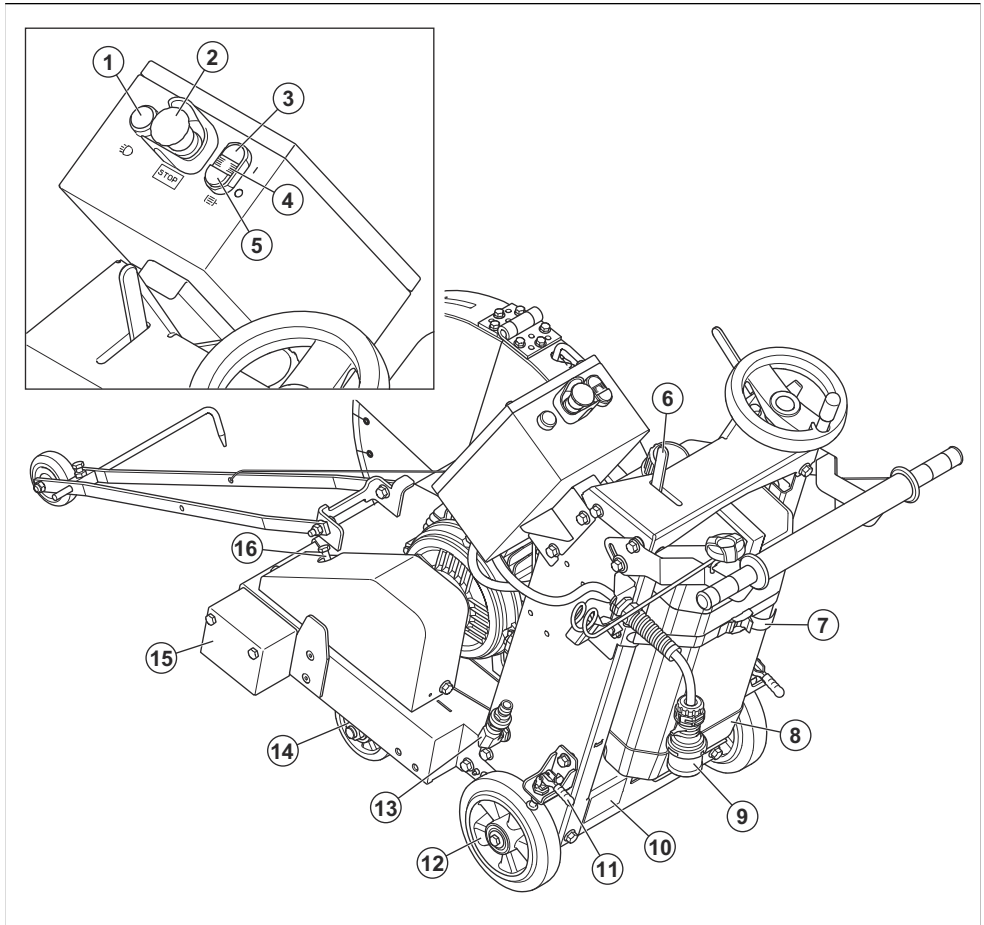
Använd inte utomhus eller under våta förhållanden. Produkten är endast avsedd för inomhusbruk.

Produktöversikt, höger sida



- | | |
|----------------------------------|---------------------------------|
| 1. Ratt för kapdjup | 12. Sprängskydd |
| 2. Handtag | 13. Pekare |
| 3. Vattentank och lock (tillval) | 14. Klinga (medföljer ej) |
| 4. Kabel- och slangstyrning | 15. Klingskyddets spärr |
| 5. Elektrisk inkapsling | 16. Vattenkran |
| 6. Säkring för arbetsbelysning | 17. Kabel och karbinhake |
| 7. Uttag för arbetsbelysning | 18. Serviceverktyg |
| 8. Lyftögla | 19. Indikator för kapdjup |
| 9. Motor | 20. Spak för att låsa kapdjupet |
| 10. Drivremskåpa | 21. Pekarrep |
| 11. Hållare för karbinhake | 22. Bruksanvisning |

Produktöversikt, vänster sida



1. Strömbrytare för arbetsbelysning (belysningskit som tillval)
2. Knapp för maskinstopp
3. PÅ-knapp
4. Felindikator
5. AV-knapp
6. Vattenventil
7. Vattentanksrem
8. Vattentank (tillval)
9. Nätkontakt
10. Typskylt
11. Parkeringsbroms
12. Bakhjul
13. Vatteninlopp och vattenfilter
14. Främre hjul

15. Flänskäpa
16. Spännskruv, drivrem

Symboler på produkten



WARNING! Den här produkten kan vara farlig och kan orsaka allvarig eller livshotande skada för användaren och andra. Var försiktig och använd produkten på rätt sätt.



Läs noggrant igenom bruksanvisningen och se till att du förstår innehållet innan du använder produkten.



Risk för skärskador. Håll alla kroppsdelar borta från kapskivan.



Håll kroppsdelar borta från kapskivan och andra rörliga delar.



Se till att kapskivan inte är slö eller har skador, t.ex. sprickor.



Klingskydden måste alltid monteras på produkten. Låt inte mer än 180° av kapskivan synas.



Se till att kapskivan gäller för samma eller högre varvtal än det värde som anges på produkten. En kapskiva som körs med för högt varvtal kan gå sönder och orsaka personskador eller skador på produkten.



VARNING! Dammet kan orsaka hälsoproblem. Använd ett godkänt andningsskydd. Se till att det alltid är bra luftflöde.



VARNING! Titta inte in i strålen. Denna varning gäller endast när belysningskitet är installerat.



Använd hörselskydd, ögonskydd och andningsskydd. Se *Personlig skyddsutrustning på sida 308*.



Risk för elektrisk stöt: Inspektion och/eller underhåll ska utföras efter att motorn har stannat och med stickkontakten urdragen.



Alla förflyttningar av maskinen utanför skärområdet ska utföras med stillastående verktyg.



Ta bort klingan före transport eller när du lyfter, ställer fram eller tar bort produkten.



Pilen på klingskyddet visar åt vilket håll kapskivan roterar.



Aktivera/inaktivera parkeringsbromsarna.



Fyll tanken endast med vatten.



Ventil för vattenkylsystemen för kapskivan.



Lyft-/sänkreglage för justering av kapdjup.



Lyft alltid produkten vid lyftpunkten.



Skyddsjord.



PÅ-knapp.



AV-knapp.



Knapp för maskinstopp.



Strömbrytare för arbetsbelysning.



Motorns ON/OFF-knapp, felindikator.



Miljömärkning för bulleremission enligt EU- och UK-direktiv och bestämmelser. Produktens garanterade ljudeffektnivå anges i *Ljudnivåer på sida 326*. *Försäkran om överensstämmelse på sida 329* och på etiketten.



Risk för elektrisk stöt. Denna utrustning ska endast servas av godkänd personal.



Den här produkten överensstämmer med gällande EG-direktiv.



Denna produkt överensstämmer med gällande brittiska direktiv.



Produkten eller dess förpackning är inte hushållsavfall. Återvinn den vid en godkänd plats för kassering av elektrisk och elektronisk utrustning.

Typskylt

1		2	
4		Husqvarna AB, S-561 82, Husqvarna, Sweden	3
ARTICLE NO.		5	Made in China
SERIAL NO. (HID)			
6			
7	9	12	
	10	13	Ø
8	11	14	
15			

1. Tillverkare
2. Tillverkarens adress
3. QR-kod som kan skannas
4. Typbeteckning
5. Artikelnummer
6. Serienummer
7. Produktvikt, kg
8. Tillverkningsdatum, år/månad
9. Spänning: 3-fasväxelström, V
10. Frekvens, Hz
11. Märkström, A
12. Motoreffekt, kW
13. Maximal klingdiameter, mm
14. Maximalt spindelvarvtal, 1/min
15. Ytterligare information

Produktansvar

Enligt lagstiftningen för produktansvar ansvarar vi inte för skador som vår produkt orsakar om:

- produkten repareras felaktigt
- produkten repareras med delar som inte kommer från tillverkaren eller inte har godkänts av tillverkaren
- produkten har ett tillbehör som inte kommer från tillverkaren eller inte har godkänts av tillverkaren
- produkten inte repareras vid ett godkänt servicecenter eller av en godkänd person.

Säkerhet

Säkerhetsdefinitioner

Varningar, försiktighetsåtgärder och anmärkningar används för att betona speciellt viktiga delar i bruksanvisningen.



WARNING: Används om det finns risk för skador eller dödsfall för användaren eller kringstående om anvisningarna i bruksanvisningen inte följs.



OBSERVERA: Används om det finns risk för skada på produkten, annat material eller det angränsande området om anvisningarna i bruksanvisningen inte följs.

Notera: Används för att ge mer information som är nödvändig i en viss situation.

Allmänna säkerhetsvarningar för elverktyg



WARNING: Gå igenom **alla säkerhetsvarningar, instruktioner, illustrationer och specifikationer som medföljer det här elverktyget**. Om du inte följer instruktionerna nedan kan det leda till elektriska stötar, brand och/eller allvarliga skador.

Spara alla varningar och instruktioner som referens. I varningarna syftar termen "elverktyg" på ett verktyg som antingen är anslutet till nätspänningen (med sladd) eller drivs av batteri (sladdlöst).

Säkerhet i arbetsområdet

- **Arbetsområdet ska hållas välordnat och välbelyst.** I röriga eller mörka arbetsområden händer det lätt olyckor.
- **Använd inte elverktyg i explosiva miljöer, t.ex. i närvaro av brandfarliga vätskor, gaser eller damm.** Gnistor från elverktyget kan antända damm eller ångor.

- **Håll barn och åskådare på avstånd när du använder elverktyg.** Om du blir distraherad kan du tappa kontrollen.

Elsäkerhet

- **Elverktygets stickkontakt måste passa i vägguttaget. Förändra aldrig stickkontakten på något sätt. Använd inte några stickkontaktadapter.** Oförändrade stickkontakter och motsvarande vägguttag minskar riskerna för elektriska stötar.
- **Undvik kroppskontakt med jordade ytor, t.ex. rörledningar, värmeelement, spisar och kylskåp.** Om din kropp är jordad ökar risken för elektrisk stöt.
- **Utsätt inte elverktyg för regn eller väta.** Om vatten tränger in i elverktyget ökar risken för elektrisk stöt.
- **Använd inte sladden på fel sätt. Använd inte sladden för att bära eller dra elverktyget, eller för att koppla ur elverktyget från uttaget. Håll sladden borta från värme, olja, vassa kanter och rörliga delar.** Skadade eller trassliga sladdar ökar risken för elektrisk stöt.
- **När du använder ett elverktyg ska du även använda en förlängningssladd för utomhusbruk.** Om du använder en sladd för utomhusbruk minskar risken för elektriska stötar.
- **Använd alltid en jordfelsbrytare när du använder ett elverktyg.** Med jordfelsbrytare minskar risken för elektriska stötar.
- **Se till att eluttaget stämmer med den spänning som anges på produktens typskylt. Se *Typskylt på sida 305*.**

Personligt skydd

- **Var på din vakt, var uppmärksam på vad du gör och använd sunt förnuft när du använder ett elverktyg. Använd inte elverktyg om du är trött, har druckit alkohol eller om du har tagit droger eller mediciner.** Ett ögonblick av ouppmärksamhet när du använder ett elverktyg kan leda till allvarlig personskada.
- **Använd personlig skyddsutrustning. Bär alltid skyddsglasögon.** Lämplig skyddsutrustning som ansiktsmask, halkfria skyddsskor, hjälm eller hörselskydd minskar risken för personskador.
- **Förebygg att maskinen startar oavsiktligt. Se till att strömbrytaren är fränslagen innan du ansluter elverktyget till en strömkälla och/eller ett batteri och innan du tar upp eller bär verktyget.** Risken för olyckor är stor om du bär elverktyg med fingret på strömbrytaren eller tillför ström till elverktyg med strömbrytaren påslagen.
- **Ta bort eventuella justeringsnycklar eller skiftnycklar innan du slår på verktyget.** Nycklar som lämnas kvar i elverktygets rörliga delar kan orsaka personskada.
- **Sträck dig inte för långt. Ha alltid ett stadigt fötteste och god balans.** Det ger dig större kontroll över elverktyget i oväntade situationer.
- **Ta på dig ordentliga arbetskläder. Använd inte löst sittande kläder eller smycken. Håll hår och kläder borta från rörliga delar.** Lösa kläder, smycken och långt hår kan fastna i rörliga delar.

- **Om det finns anordningar för anslutning av enheter för uppsamling av damm, se då till att dessa är ordentligt anslutna och att de används på rätt sätt.** Dammuppsamling kan minska dammrelaterad fara.
- **Tillåt inte dig själv att bli för avslappnad, även om du har erfarenhet av regelbunden användning av verktyget, så att du börjar strunta i verktygets säkerhetsprinciper.** En slarvig handling kan orsaka allvarlig skada på mindre än en sekund.

Använda och underhålla elverktyg

- **Bruka inte våld eller onödigt kraft. Använd det elverktyg som är rätt för ditt syfte.** Med rätt elverktyg utför du ett bättre och säkrare jobb med den hastighet som elverktyget är utformat för.
- **Använd inte elverktyget om du inte kan starta och stänga av det med strömbrytaren.** Elverktyg som inte kan kontrolleras med strömbrytaren är farliga och måste repareras.
- **Koppla bort kontakten från strömkällan och/eller ta ut batteriet (om det kan tas bort) innan du gör justeringar, byter tillbehör eller förvarar elverktyget.** Sådana förebyggande säkerhetsåtgärder minskar risken för att elverktyget startas oavsiktligt.
- **Förvara elverktyg som inte används utom räckhåll för barn. Se till att personer som inte tidigare har hanterat verktyget, eller som inte har läst instruktionerna, inte använder det.** Elverktyg är farliga om de används av ovana användare.
- **Underhållning av elverktyg och tillbehör. Kontrollera att rörliga delar ligger i linje och inte kärvar.** Kontrollera även om det finns skadade delar eller om det föreligger andra förhållanden som kan påverka elverktygets funktion. Om elverktyget är skadat ska det repareras innan det används igen. Många olyckor sker på grund av att rätt underhåll inte har utförts på elverktyget.
- **Håll kapverktyg skarpa och rena.** Kapverktyg med vassa eggar som underhålls på rätt sätt kärvar mer sällan och är lättare att styra.
- **Använd elverktyget och tillbehör enligt de här instruktionerna. Tänk på att ta hänsyn till arbetsförhållandena och det arbete som ska utföras.** Användning av elverktyg andra syften än de avsedda kan resultera i en farlig situation.
- **Håll handtagen och greppytorna torra, rena och fria från olja och fett.** Hala handtag och greppytor innebär att det inte är säkert att hantera och styra verktyget i oväntade situationer.

Service

- **Låt en kvalificerad reparatör som endast använder identiska reservdelar underhålla elverktyget.** På så sätt garanterar du att säkerheten kring ditt elverktyg upprätthålls.

Allmänna säkerhetsanvisningar



VARNING: Läs varningsinstruktionerna nedan innan du använder produkten.

- Denna produkt är ett farligt verktyg om du inte är försiktig eller om du använder produkten felaktigt. Den här produkten kan orsaka allvarlig eller livshotande skada för användaren och andra. Det är mycket viktigt att du läser och förstår innehållet i denna bruksanvisning innan du använder produkten.
- Spara alla varningar och instruktioner.
- Följ alla tillämpliga lagar och bestämmelser.
- Användaren och dennes arbetsgivare måste känna till och förebygga risker vid användning av produkten.
- Låt inte någon använda produkten om personen inte har läst och förstått innehållet i bruksanvisningen.
- Använd inte produkten förrän du har fått utbildning om hur du använder den. Se till att alla användare utbildas.
- Låt inte barn använda produkten.
- Låt endast godkända personer använda produkten.
- Användaren ansvarar för olyckor som drabbar andra personer eller deras egendom.
- Använd aldrig produkten om du är trött, sjuk eller om du är påverkad av alkohol, droger eller läkemedel.
- Var alltid försiktig och använd sunt förnuft.
- Denna produkt alstrar ett elektromagnetiskt fält under drift. Detta fält kan under vissa omständigheter ge påverkan på aktiva eller passiva medicinska implantat. För att minska risken för allvarlig eller livshotande skada rekommenderar vi därför personer med medicinska implantat att rådgöra med läkare samt tillverkaren av det medicinska implantatet innan denna produkt används.
- Håll produkten ren. Se till att du kan läsa skyltar och dekaler tydligt.
- Använd inte produkten om den är trasig.
- Gör inga modifieringar av den här produkten.
- Använd inte produkten om det är möjligt att andra personer har modifierat produkten.

Säkerhetsinstruktioner för drift



VARNING: Läs varningsinstruktionerna nedan innan du använder produkten.

- Läs varningsinstruktionerna från kapskivans tillverkare som medföljer kapskivan.
- Anslut bara produkten till en strömkälla som skyddas av en lämplig säkring eller krets brytare, högst 30 A.
- Se till att produkten är korrekt monterad.
- Använd inte produkten utan att klingskyddet och skyddskåporna är korrekt monterade och fästa.

- Använd inte produkten om klingskyddets front är lyft. Klingskyddets front måste sänkas och fästas på plats korrekt.
- Felaktig användning av produkten kan göra att kapskivan går sönder och leda till personskador eller materiella skador.
- Se till att du vet hur man snabbt stoppar motorn i en nödsituation.
- Använd personlig skyddsutrustning. Se *Personlig skyddsutrustning på sida 308*.
- Se till att endast godkända personer befinner sig inom arbetsområdet.
- Se till att elkablar inom arbetsområdet inte är strömförande.
- Innan du använder produkten, ta reda på om det finns dolda sladdar, kablar och rör i arbetsområdet. Om produkten träffar ett dolt föremål ska du omedelbart stänga av motorn och undersöka produkten och föremålet. Börja inte använda produkten igen förrän du vet att det är säkert att fortsätta.
- Se till att du står säkert och stadigt under användning.
- Produkten kan få föremål att skjutas ut med hög hastighet. Se till att alla personer i arbetsområdet använder godkänd personlig skyddsutrustning. Ta bort lösa föremål från arbetsområdet.
- Innan du går ifrån produkten ska du stänga av motorn och se till att det inte finns någon risk för oavsiktlig start.
- Lämna inte produkten utan att parkeringsbromsen är ilagd.
- Var mycket försiktig vid användning i lutningar. Produkten är tung och kan välla allvarlig personskada om den faller eller rör sig för snabbt.
- Se till att inget material kan lossna och skada användaren.
- Se till att kläder, långt hår och smycken inte fastnar i rörliga delar.
- Använd inte produkten om du inte kan få hjälp om en olycka inträffar.
- Flytta bort vattentanken på säkert avstånd från produkten när du fyller vattentanken.

Instruktioner för jordad produkt



VARNING: Felaktig anslutning kan medföra elektriska stötar. Tala med en behörig elektriker om du är osäker på om nätuttaget är ordentligt jordat.

Gör inga modifieringar på stickkontakten från dess fabrikk-specifikation. Om nätkontakten eller nätsladden är skadad eller måste bytas ut ska du tala med din Husqvarna-serviceagent. Följ lokala föreskrifter och lagar.

Om du inte förstår instruktionerna beträffande den jordade produkten helt ska du tala med en behörig elektriker.

Använd endast jordade förlängningskablar för utomhusbruk med jordningskontakter och jordat uttag som är godkänt för produktens nätkontakt.

Produkten har en jordad nätsladd och en nätkontakt. Anslut alltid produkten till ett jordat nätuttag. Detta minskar risken för elektriska stötar vid eventuell funktionsstörning.

Använd inte elektriska adapttrar med produkten.

Personlig skyddsutrustning



WARNING: Läs varningsinstruktionerna nedan innan du använder produkten.

- Använd alltid godkänd personlig skyddsutrustning när du använder produkten. Personlig skyddsutrustning kan inte eliminera skaderisken helt, men den reducerar effekten av en skada vid ett eventuellt olyckstillbud. Be din återförsäljare om hjälp med att välja rätt personlig skyddsutrustning.
- Kontrollera regelbundet skicket på den personliga skyddsutrustningen.
- Använd en godkänd skyddshjälm.
- Använd godkända hörselskydd.
- Använd godkänt andningskydd.
- Använd godkända ögonskydd med sidoskydd. Det finns en stor risk för ögonskador av utslungade föremål.
- Använd skyddshandskar.
- Använd stövlar med stålhätta och halkfri sula.
- Använd godkända arbetskläder eller motsvarande åtsittande kläder med långa ärmar och långa ben.

Brandsläckare

- Ha en brandsläckare i närheten när du använder produkten.
- Använd en pulverbrandsläckare eller en koldioxidsläckare.

Säkerhetsanordningar på produkten

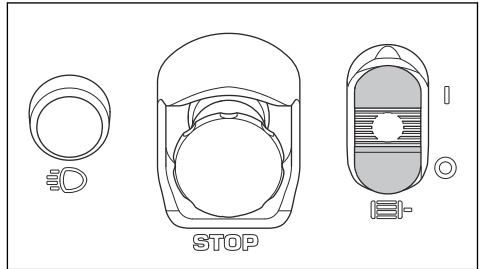


WARNING: Läs varningsinstruktionerna nedan innan du använder produkten.

- Använd inte en produkt med defekta säkerhetsanordningar.
- Kontrollera säkerhetsanordningarna regelbundet. Om säkerhetsanordningarna är defekta ska du prata med din Husqvarna serviceverkstad.

PÅ-knapp och AV-knapp

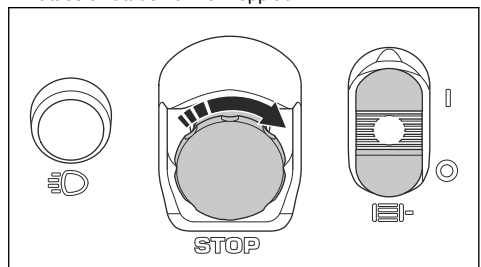
PÅ-knappen (I) och AV-knappen (O) används för att starta och stoppa motorn.



Kontrollera PÅ-knappen och AV-knappen

Notera: Om produkten inte startar, se *Produkten startar inte på sida 323*.

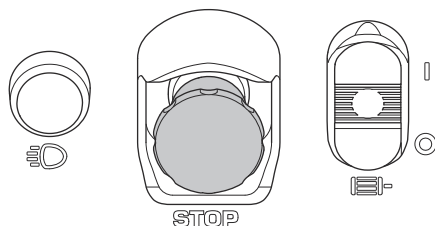
1. Koppla bort produkten från nätuttaget.
2. Se till att kapskivan är något ovanför marken.
3. Se till att kapskivan och klingflänsen är ordentligt fastsatta och att klingskyddet är korrekt monterat. Se *Montera en kapskiva på sida 311* och *Installera klingskyddet på sida 313*.
4. Anslut produkten med en förlängningsladd till nätuttaget.
5. Vrid maskinens STOPP-knapp (STOP) medurs för att se till att den är fränkopplad.



6. Tryck ON/OFF-knappen till "I" för att starta produkten.
7. Vänta i fem sekunder för att låta produkten arbeta i rätt varvtal.
8. Tryck ON/OFF-knappen till "O" och se till att motorn stannar.

Knapp för maskinstopp

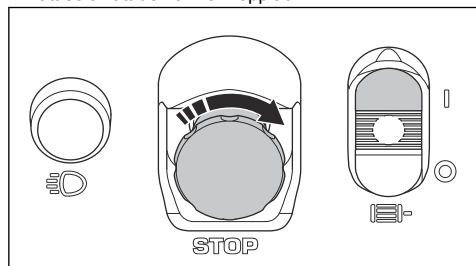
Maskinens STOPP-knapp (STOP) stoppar motorn. Maskinens STOPP-knapp släcker inte belysningen.



Notera: Använd inte maskinstoppknappen för att stoppa produkten om det inte är en nödsituation. För rätt tillvägagångssätt för hur du stoppar produkten under drift, se *Stoppa produkten på sida 318*.

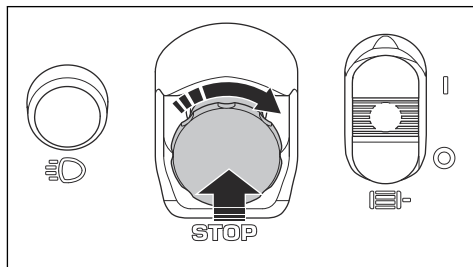
Kontrollera maskinstoppknappen

1. Koppla bort produkten från nätuttaget.
2. Se till att kapskivan är något ovanför marken.
3. Se till att kapskivan och klingflänsen är ordentligt festsatta och att klingskyddet är korrekt monterat. Se *Montera en kapskiva på sida 311* och *Installera klingskyddet på sida 313*.
4. Anslut produktens nätkontakt till nätuttaget.
5. Vrid maskinens STOPP-knapp (STOP) medurs för att se till att den är fränkopplad.



6. Tryck ON/OFF-knappen till "I" för att starta produkten.

7. Tryck in maskinens STOPP-knapp och se till att motorn stannar.



8. Vrid maskinens STOPP-knapp medurs för att avaktivera.

Klingskydd



VARNING: Använd aldrig produkten utan klingskydd eller med ett defekt klingskydd. Se till att klingskyddet är monterat och fäst korrekt innan du startar produkten.

Klingskyddet förhindrar att delar, från klingan eller det material som kapas, slungas mot användaren.

Kontrollera klingskyddet

- Se till att klingskyddet är korrekt monterat och fäst. Se *Installera klingskyddet på sida 313*.
- Kontrollera om klingskyddet är skadat, t.ex. har sprickor.
- Byt ut ett skadat klingskydd.
- Byt ut klingskyddet om det har fått ett slag, är böjt eller har andra defekter.

Drivremskåpa



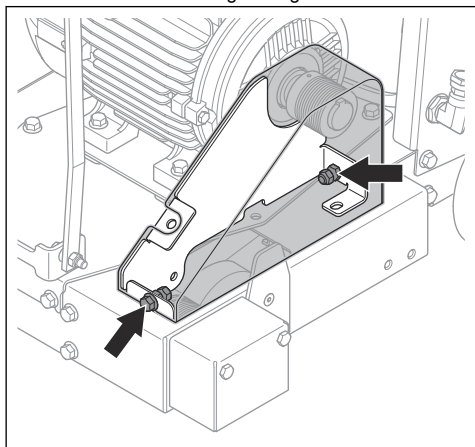
VARNING: Använd inte produkten utan en drivremskåpa eller med en defekt drivremskåpa. Se till att drivremskåpan är monterad och fäst korrekt innan du startar produkten.

Drivremskåpan ger skydd mot remskivorna och drivremmen.

Kontrollera drivremskåpan

- Se till att drivremskåpan inte är skadad eller har sprickor. Byt vid behov ut drivremskåpan.

- Kontrollera att de två skruvarna på drivremskåpan är monterade och ordentligt åtdragna.



Säkerhetsinstruktioner för underhåll

- Håll alla delar i gott skick och se till att alla fästelement är ordentligt åtdragna.
- Använd inte en produkt som är defekt. Utför säkerhetskontroller, underhåll och service enligt denna bruksanvisning. Allt annat underhållsarbete måste utföras av en godkänd serviceverkstad.
- Stoppa motorn och koppla bort nätkontakten när du byter diamantverktyg.
- Utför inspektion och/eller underhåll med motorn avstängd och nätkontakten fränkopplad.
- Underhåll produkten regelbundet för att se till att produkten fungerar korrekt. Se *Underhållsschema på sida 321*.

Drift

Introduktion



VARNING: Läs och förstå säkerhetskapitlet innan du använder produkten.

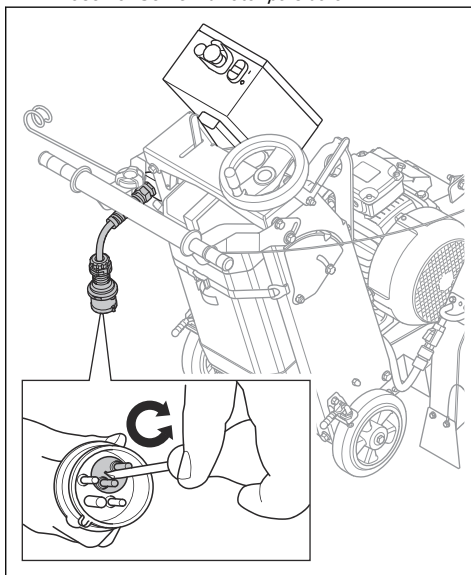
Att göra innan du använder produkten



OBSERVERA: Använd inte en förlängningssladd som är längre än 25 m och mindre än 2,5 mm².

- Läs igenom bruksanvisningen noggrant och se till att du förstår instruktionerna.
- Läs instruktionerna från kapskivans tillverkare som medföljer kapskivan.
- Före varje användning av produkten ska du utföra följande steg:
 - a) Utför daglig skötsel. Se *Underhållsschema på sida 321*.
 - b) Gör linjemarkeringar för alla snitt. Förbered driftsekvensen noga för att undvika personskador och materiella skador.
 - c) Se till att kapskivan och klingskyddet är korrekt installerade. Se *Montera en kapskiva på sida 311* och *Installera klingskyddet på sida 313*.
 - d) Ställ in handtaget i lämplig arbetsposition. Se *Ställa in höjden på handtaget på sida 311*.
 - e) Fyll vattentanken eller anslut till extern vattentillförsel. Se *Fylla på vattentanken på sida 316* och *Ansluta externa vattentillförsel på sida 317*.

- f) Se till att vattenröret i klingskyddet är öppet. Varje sida av kapskivan måste ha tillräcklig tillförsel av vatten.
- g) Se till att pekaren är i linje med kapskivan. Se *Rikta in pekaren med kapskivan på sida 315*.
- h) Anslut produktens nätkontakt till en förlängningssladd och sedan till nätuttaget.
- i) Under vissa förhållanden måste du vända på faserna. Se *Felindikator på sida 324*.



- j) Vrid maskinstoppknappen medurs för att se till att knappen är avaktiverad.

Kapskivor



VARNING: Använd inte en kapskiva för andra material än den som den är avsedd för.



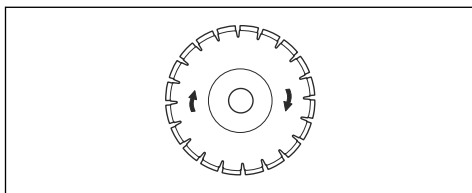
VARNING: Använd endast diamantklingor för våtkapning. Diamantklingan måste vara tillämplig på samma eller högre varvtal än det värde som anges på produktens typskylt. Använd endast diamantklingor som överensstämmer med nationella eller regionala standarder, till exempel SS-EN 13236, eller ANSI B7.1.

Kapskivans tillverkare utfärdar varningar och rekommendationer för hur man använder och underhåller kapskivan på rätt sätt. Dessa varningar följer med kapskivan.

Diamantklingor



VARNING: Se till att diamantklingans rotationsriktning som visas på diamantklingan är i linje med den rotationsriktning som visas på produkten.



OBSERVERA: Använd alltid en skarp diamantklinga.

Det finns en rad olika diamantklingor som används för olika användningsområden. Från nygjord betong till betong och asfalt som har blivit hårda och för olika hårdhetsklasser.

Diamantklingor har en stälkärna med segment som är gjorda av industridiamanter.

Vattenkylsystem

Använd alltid vatten under drift för att hålla diamantklingornas temperatur nere. Vattenkylsystemet ökar även livslängden på diamantklingorna och förhindrar dammansamling.

Se till att vattentillförseln inte är igensatt.

Diamantklingor för våtkapning



VARNING: Använd alltid ett klingflämsmått som anges för det aktuella klingmättet. Använd inte klingflänsar som är skadade.

Under drift gör friktionen att diamantklingan blir mycket varm. Om diamantklingan blir för varm gör det att klingans spänning minskar eller att kärnan spricker.

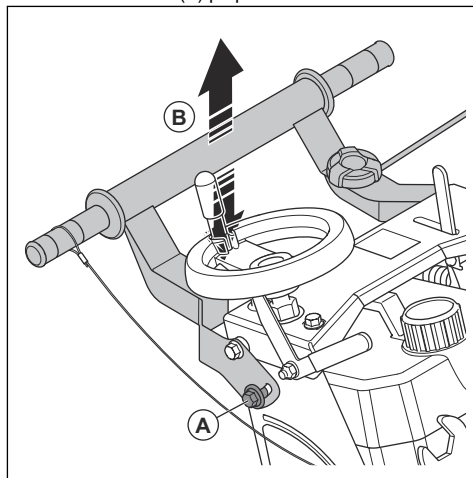
Låt diamantklingan svalna innan du vidrör den.

- Diamantklingor för våtkapning måste användas med vatten för att diamantklingans kärna och segment ska kylas under kapningen. Diamantklingor för våtkapning kan inte användas torra.
- Om du använder diamantklingor för våtkapning utan vatten kan diamantklingan bli för varm. Detta ger dåliga prestanda, skador på klingan och utgör en säkerhetsrisk.

Ställa in höjden på handtaget

Handtagets höjd kan regleras till rätt höjd.

1. Lossa skruvarna (A) på produktens båda sidor.



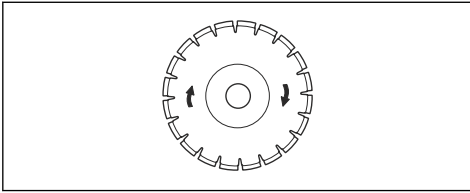
2. Ställ in läget för den nödvändiga arbetshöjden (B).
3. Dra åt skruvarna (A).

Montera en kapskiva

Kapskivan kan monteras på höger och vänster sida av produkten.

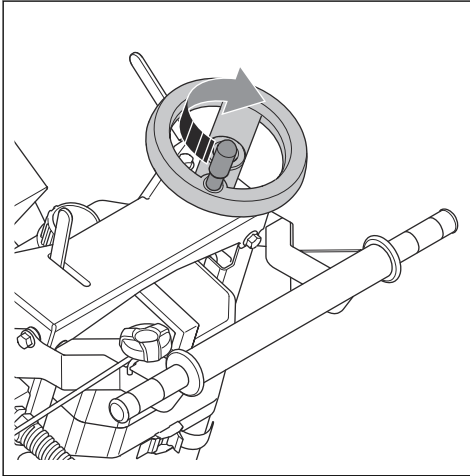


OBSERVERA: Det finns risk för skador på kapskivan om den monteras motsatt mot rotationsriktningen. Se till att kapskivan roterar i den riktning som pilarna på kapskivan visar.



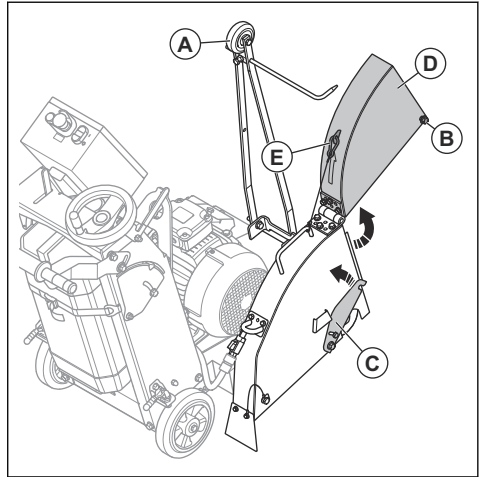
Notera: Spaken för kapdjupsratten måste alltid vara låst när ratten för kapdjup inte används.

1. Stanna motorn och koppla loss produkten från nätuttaget.
2. Vrid ratten för kapdjup medurs för att lyfta kapskivan helt. Tryck på spaken för att låsa ratten för kapdjup.

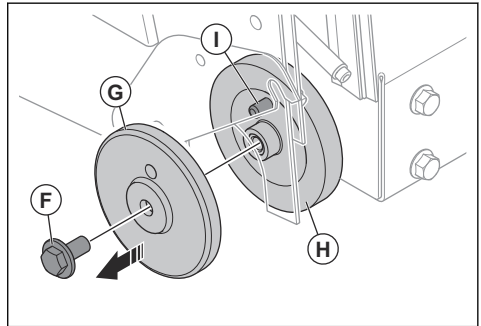


3. Klingskyddet måste monteras på samma sida av produkten som kapskivan. Om klingskyddet inte är monterat på rätt sida, se *Installera klingskyddet på sida 313*.

4. Lyft pekaren (A) till upprätt läge.



5. Lossa klingskyddets främre bult (B) och lyft upp klingskyddets spärr (C).
6. Lyft klingskyddets front (D).
7. Lås klingskyddet i upprätt läge med kabeln och karbinhaken (E).
8. Ta bort klingskruven (F) med den medföljande skiftnyckeln och motnyckeln.



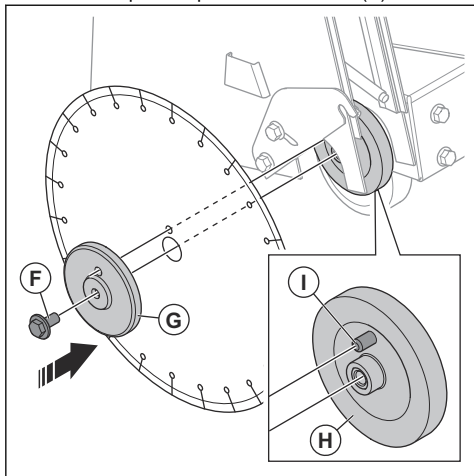
Notera: Klingskruven på produktens högra sida är vänstergängad. Klingskruven på produktens vänstra sida är högergängad.

9. Ta bort klingflänsen (G).



VARNING: Skadade eller smutsiga delar kan förhindra korrekt montering av kapskivan. Undersök om klingskruven (F), klingflänsen (G), den inre flänsen (H) och låssprinten (I) är skadade. Byt ut utslitna eller skadade delar. Rengör kapskivans och flänsarnas kontaktytor. Rengör gångorna på klingskruven och den inre flänsen.

10. Montera kapskivan på den inre flänsen (H).



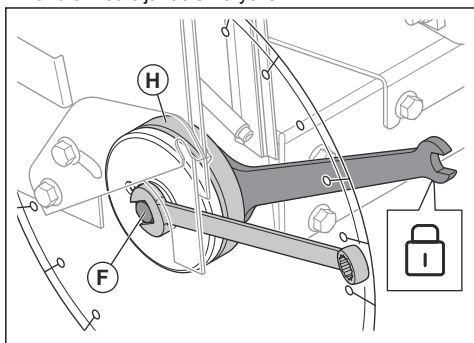
11. Montera klingflänsen (G) och klingskruven (F).

Kontrollera att låsspringen (I) på den inre flänsen går genom kapskivan och in i klingflänsen (G).

12. Håll och tryck kapskivan i motsatt rotationsriktning.

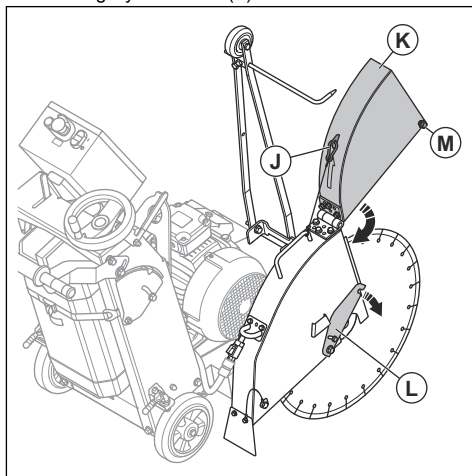
Dra samtidigt åt klingskruven (F) med den medföljande skiftnyckeln.

13. Lås den inre flänsen (H) med den medföljande skiftnyckeln och dra åt klingskruven (F) med den andra medföljande skiftnyckeln.



14. Dra åt klingskruven (F) till 100 Nm.

15. Lås upp klingskyddet från karbinhaken (J) och sänk ner klingskyddets front (K).



16. Placera klingskyddets spärr (L) på klingskyddets främre bult. Dra åt klingskyddets främre bult (M).



OBSERVERA: Använd inte produkten utan att klingskyddets front är nedfäld och spärren till klingskyddet är fäst. Använd inte produkten om några delar är skadade.

17. Se till att klingskruven på motsatt sida av produkten är åtdragen.

18. Starta produkten. Se *Starta produkten på sida 318*.

19. Lyssna efter ovanliga ljud. Om det finns missljud ska du ta bort kapskivan.

- Kontrollera om kapskivan har skador.
- Montera kapskivan igen. Byt ut kapskivan om den är skadad.

Ta bort kapskivan



VARNING: När du tar bort diamantringarna ska du låta produkten svalna och använda skyddshandskar. Diamantringor är mycket varma efter användning.

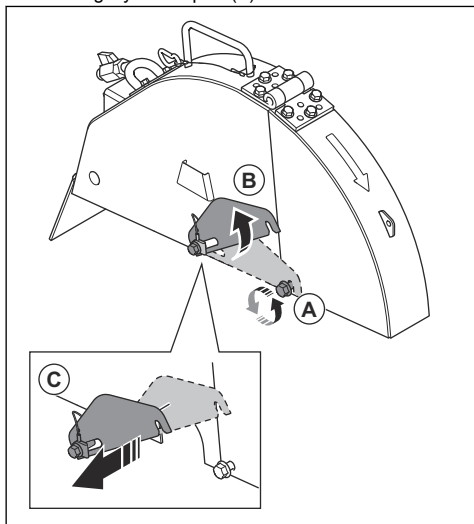
- Ta bort kapskivan i omvänd monteringsordning. Se *Montera en kapskiva på sida 311*.

Installera klingskyddet

Klingskyddet måste monteras på samma sida av produkten som kapskivan. Om det behövs flyttar du klingskyddets spärr till rätt sida av klingskyddet.

- Om klingskyddets spärr inte är monterad på rätt sida av klingskyddet ska du göra följande.

- a) Lossa de två muttrarna på flänskåpan och ta bort flänskåpan.
- b) Lossa klingskyddets främre bult (A) och lyft upp klingskyddets spärr (B).



- c) Ta bort den bakre bulten och klingskyddets spärr (C).

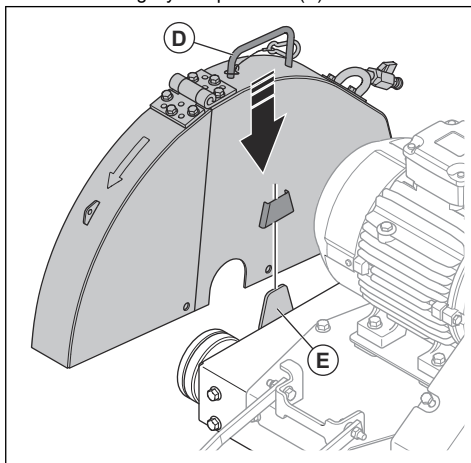
2. Flytta klingskyddets spärr till klingskyddets motsatta sida. Utför följande procedur.

- a) Montera klingskyddets spärr och dra åt den bakre bulten.
- b) Placera klingskyddets spärr på klingskyddets främre bult. Dra åt frontbulten (A).

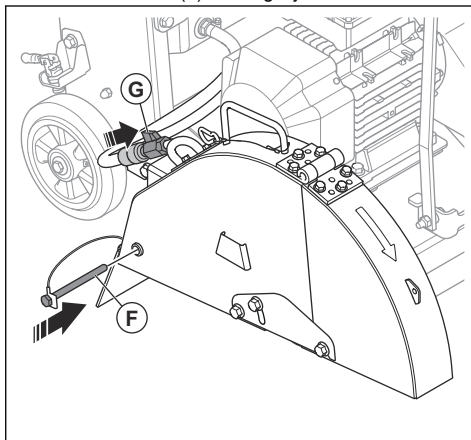


OBSERVERA: Använd inte produkten utan klingskyddets spärr isatt. Använd inte produkten om delarna är skadade.

3. Använd handtaget (D) för att lyfta klingskyddet och montera klingskyddet på stödet (E).

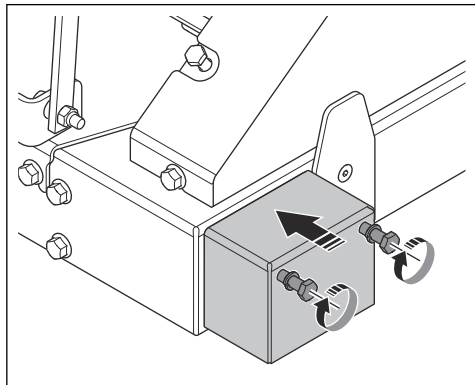


4. Montera skruven (F) för klingskyddet.



5. Anslut vattenslangen (G).

6. Montera flänskåpan på motsatt sida av produkten och dra åt de två skruvarna.



Ta bort klingskyddet

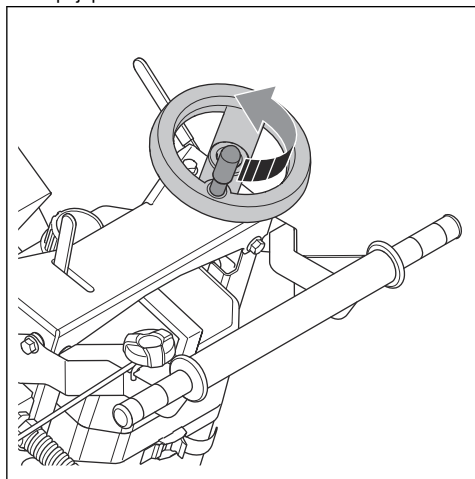
1. Stanna motorn. Se *Stoppa produkten på sida 318*.
2. Ta bort klingskyddet i omvänd monteringsordning. Se *Installera klingskyddet på sida 313*.

Ställa in kapdjupsindikatorn

Indikatorn måste kalibreras innan du använder produkten.

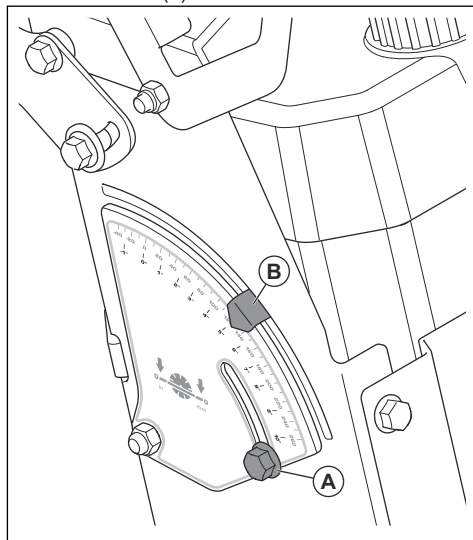
Notera: Spaken för kapdjupsratten måste alltid vara låst när ratten för kapdjup inte används.

1. Vrid ratten för kapdjup tills kapskivan nuddar marken. Tryck på spaken för att låsa ratten för kapdjup.



OBSERVERA: Sänk inte kapskivan för snabbt. Om kapskivan träffar ytan hårt kan det orsaka skador på kapskivan.

2. Lossa skruven (A).



3. Vrid indikatorplattan tills läget "0" är i mitten av pilen (B).
4. Dra åt skruven (A).



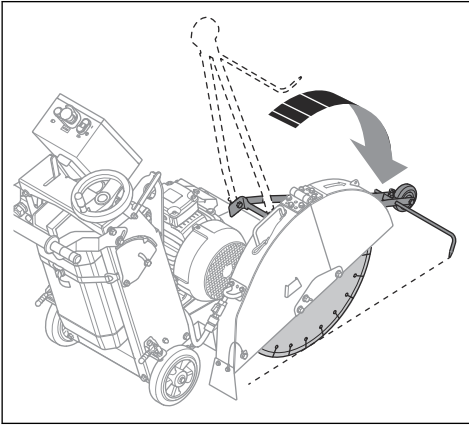
OBSERVERA: Kontrollera alltid att skärdjupet är korrekt. Indikatorn hjälper dig att få rätt kapdjup men ger bara en indikation på djupvärdet.

Rikta in pekaren med kapskivan

Notera: Pekaren måste vara i linje med kapskivan.

1. Lägg innerflänsen längs en linje.

2. Sänk ned pekaren och rikta in produkten med markeringarna.



3. Rikta in pekaren med linjen.
4. Justera vid behov pekaren tills den är inriktad med linjen.

Grundläggande arbetsteknik

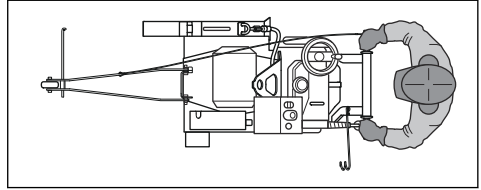


VARNING: Klingaxeln roterar när motorn startar.

- Se till att du alltid kan trycka på maskinstoppknappen under arbetet.
- Kontrollera att inga verktyg eller andra föremål har lämnats kvar på produkten.
- Ha kontroll över produkten när motorn startas.
- Se till att klingskyddet sitter fast ordentligt innan du startar produkten. Kapa inte utan klingskyddet.
- Gör linjemarkeringar för alla snitt innan du påbörjar arbetet. Se till att användaren och produkten inte utsätts för risker.
- Undvik att vända, vrida eller flytta produkten från sida till sida medan kapskivan roterar.
- Se till att det alltid finns ytterligare en person i närheten om du använder produkten. Om en olycka inträffar kan du få hjälp från den personen.
- Lämna inte produkten utan att parkeringsbromsen är illagd.

Använda rätt arbetsteknik

- Håll dig borta från klingans bana när motorn är på. Användarens korrekta position är bakom produkten, med båda händerna på handtagen.



- Kontrollera ofta om det finns sprickor eller trasiga delar på kapskivan under arbetsdagen. Använd inte en skadad kapskiva.



VARNING: Stoppa motorn och koppla ur nätkontakten innan du undersöker kapskivan.

- Slipa inte med sidan av kapskivan. En kapskiva kan gå sönder och orsaka skador på användaren eller andra närvarande. Använd endast skivans skärande del.
- Böj eller vrid inte kapskivan i snittet.
- Kontrollera att kapskivan rör sig fritt och inte fastnar i snittet.

Vattenförsörjning

Kapskivan måste ha tillräcklig vattentillförsel under drift. Använd vatten från vattentanken på produkten eller från en extern vattenslang. Se *Fylla på vattentanken på sida 316* och *Ansluta externa vattentillförsel på sida 317*.

Fylla på vattentanken

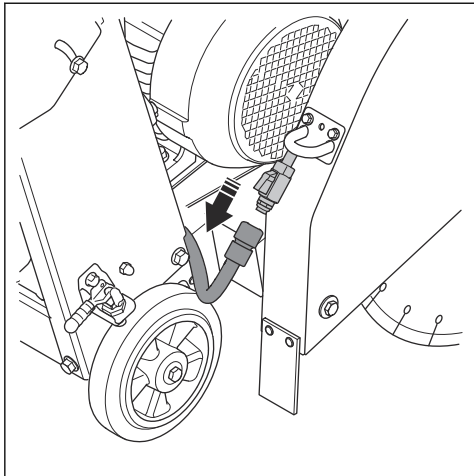


VARNING: Fyll endast tanken med vatten. Häll inte någon annan vätska i vattentanken.

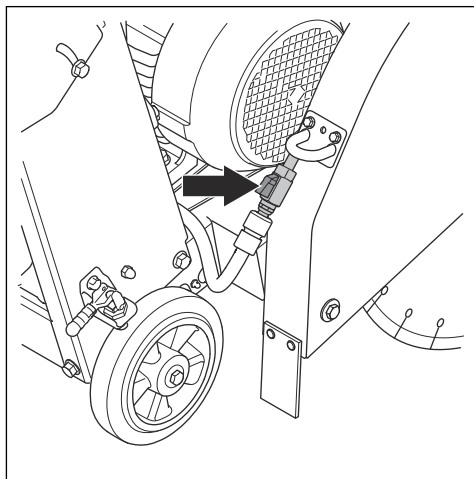


VARNING: Se till att kapskivan är något ovanför marken när du vrider vattenkranen för att justera vattnet.

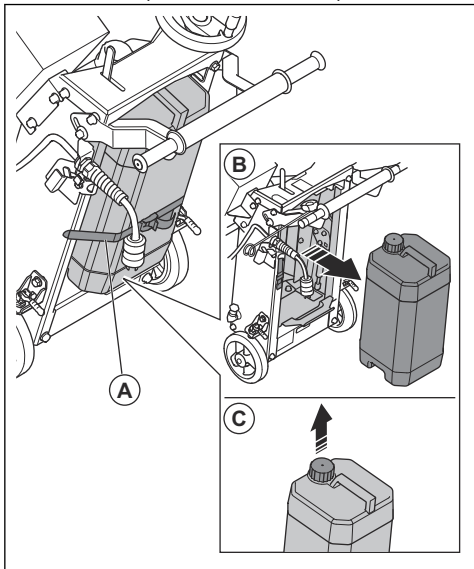
1. Stäng vattenkranen och koppla loss vattenslangen.



7. Vrid vattenkranen på klingskyddet för att justera vattentillförseln.



2. Ta bort vattentankens rem (A) och vattentanken (B). Spill inte vatten på produkten. Flytta bort vattentanken på säkert avstånd från produkten.



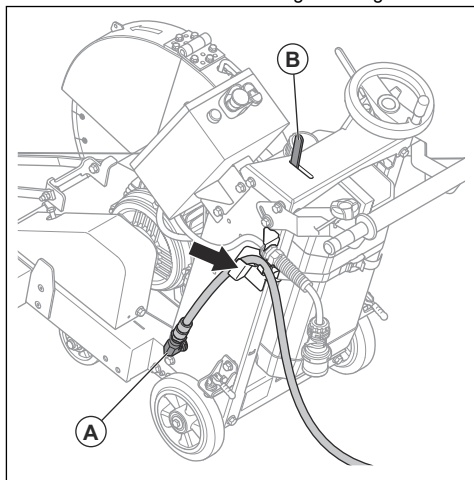
3. Ta bort vattentankens lock (C) och fyll vattentanken med vatten.
4. Sätt tillbaka vattentankens lock.
5. Montera vattendunken.
6. Montera vattentankens rem och anslut vattenslangen.

Ansluta externa vattentillförsel

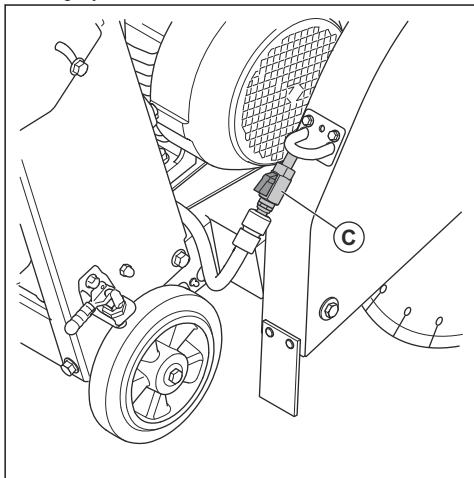


VARNING: Se till att kapskivan är något ovanför marken när du vrider vattenkranen för att justera vattnet.

1. Anslut en extern vattenslang till vatteninloppet (A). Placera den externa vattenslangen i slanghållaren.



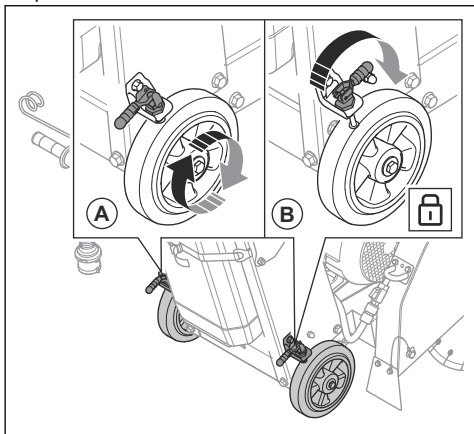
- Slå på eller av vattnet genom att trycka på vattenventilen (B) eller vrida vattenkranen (C) på klingskyddet.



- Justera vattentillförseln genom att trycka på vattenventilen eller vrida vattenkranen på klingskyddet.

Aktivera och avaktivera parkeringsbromsarna

- Frikoppla parkeringsbromsarna (A) för att flytta produkten.



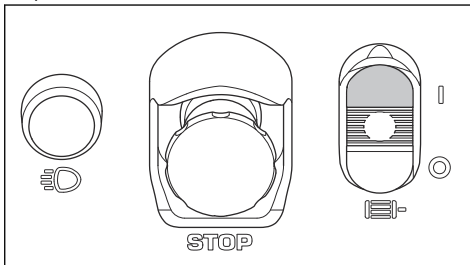
- Aktivera parkeringsbromsarna (B) för att hålla produkten på plats.

Starta produkten



VARNING: Se till att kapskivan är något ovanför marken.

- Tryck ON/OFF-knappen till "I" för att starta produkten. På mindre än fem sekunder arbetar produkten med korrekt driftvarvtal.



Stoppa driften

Notera: Spaken för kapdjupsratten måste alltid vara låst när ratten för kapdjup inte används.

- Dra i spaken för att låsa upp ratten för kapdjup.
- Vrid ratten för kapdjup medurs tills kapskivan är något ovanför marken.
- Tryck på spaken för att låsa ratten för kapdjup.
- Vrid vattenkranen eller tryck på vattenventilen för att stoppa vattentillförseln. Se *Ansluta externa vattentillförsel på sida 317*.

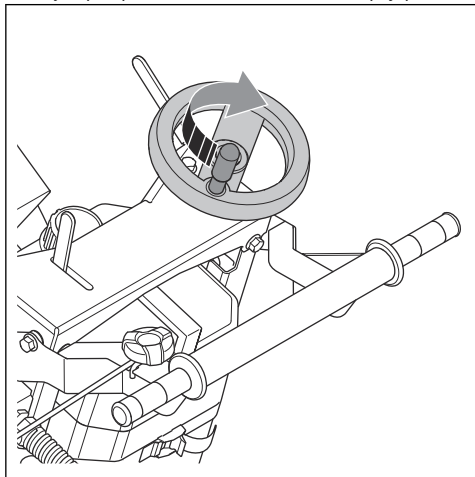
Stoppa produkten



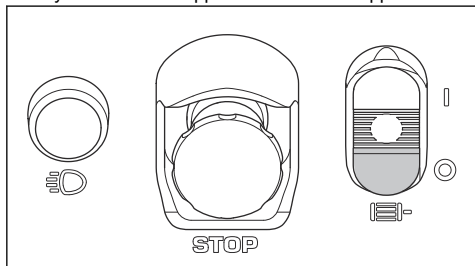
VARNING: Kapskivan roterar en stund efter att motorn stannar.

Notera: Spaken för kapdjupsratten måste alltid vara låst när ratten för kapdjup inte används.

1. Vrid ratten för kapdjup medurs för att lyfta kapskivan. Tryck på spaken för att låsa ratten för kapdjup.



2. Tryck ON/OFF-knappen till "0" för att stoppa motorn.

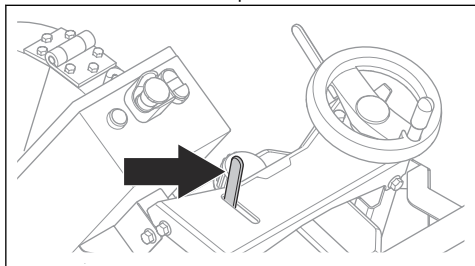


3. Lägg i parkeringsbromsarna.
4. Koppla från nätkontakten.

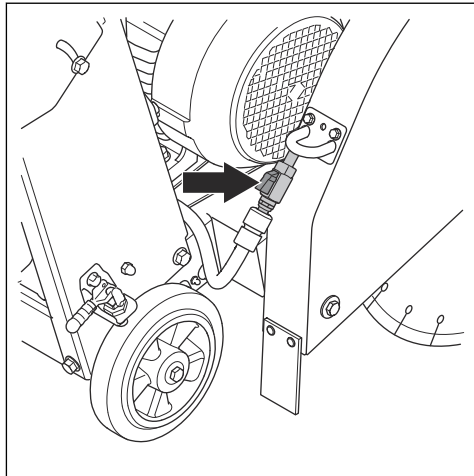
Kapa ytan

Notera: Spaken för kapdjupsratten måste alltid vara låst när ratten för kapdjup inte används.

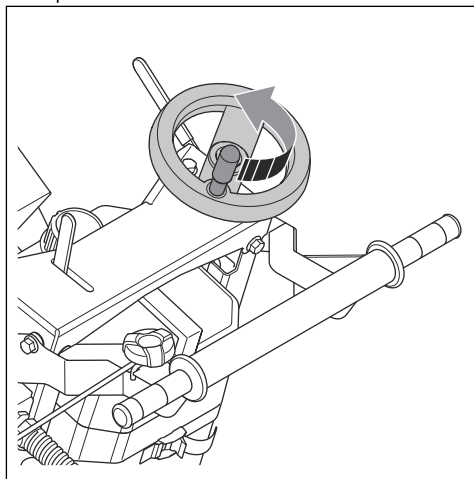
1. Rikta in kapskivan med markeringarna på marken eller med riktskåret.
2. Om en extern vattenslang används trycker du på vattenventilen för att slå på eller av vattnet.



3. Vrid vattenkranen för att justera vattentillförseln.

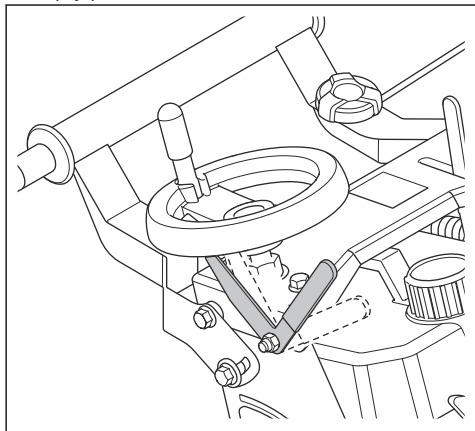


4. Kontrollera vattenflödet. Justera vattentillförseln om det behövs.
5. Starta motorn. Se *Starta produkten på sida 318*.
6. Vrid långsamt ratten för kapdjup moturs för att sänka kapskivan.



7. Gör ett snitt som vägledning, cirka 20–30 mm.

8. Kapa i steg om 50 mm tills du når det nödvändiga djupet. Tryck på spaken för att låsa ratten för kapdjup.



9. Justera vattentillförseln när du använder produkten. Bägge sidorna av kapskivan måste ha tillräckligt med vatten för att kyla ned kapskivan. Vattnet förhindrar också dammansamling.
10. Skär endast i en linje, rikta in kapskivan med markeringarna.
11. För produkten sakta framåt och se till att pekaren och kapskivan är i linje med markeringarna.



OBSERVERA: Flytta inte produkten från sida till sida för att justera kapskivan med markeringarna.

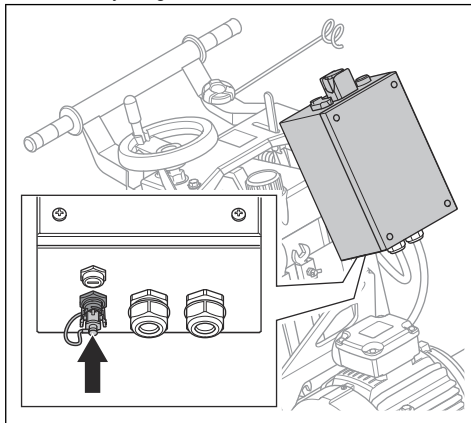
Använda belysningskitet

Belysningskitet är ett tillbehör. Använd endast 24 V-uttaget för arbetsbelysningen för Husqvarna-godkända belysningskit.

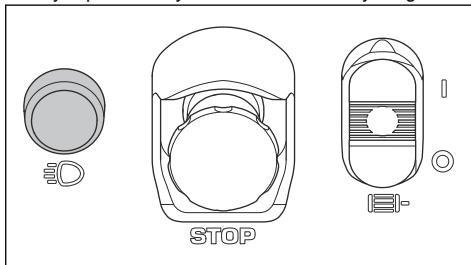


VARNING: Titta inte in i strålen.

1. Montera belysningskitet på 24 V-uttaget för arbetsbelysningen.



2. Tryck på strömbrytaren för att tända belysningskitet.



3. Tryck på strömbrytaren igen för att släcka belysningskitet.

Underhåll

Introduktion



VARNING: Läs och förstå säkerhetskapitlet innan du utför underhåll på produkten.

För allt service- och reparationsarbete på produkten krävs särskild utbildning. Vi garanterar att professionell service och reparation är tillgänglig. Om din återförsäljare inte är en serviceverkstad kan du tala med dem för information om närmaste serviceverkstad.

För reservdelar vänder du dig till din återförsäljare av Husqvarna eller din serviceverkstad.

Att göra före underhåll

- Parkera produkten på plan mark och stäng av motorn. Tryck på maskinstoppknappen på reglagepanelen för att förhindra oavsiktlig start vid underhållsarbete.
- Se till att produkten inte kan röra sig under underhåll. Lägg i parkeringsbromsarna och placera stoppklossar bakom och framför hjulen.
- Dra alltid ur kontakten ur nätuttaget innan du rengör, utför underhåll på eller monterar produkten.
- Rengör området runt produkten från olja och smuts. Ta bort oönskade föremål.
- Sätt ut tydliga skyltar runt underhållsområdet som varnar kringstående personer för att underhållsarbete pågår.

- Ha brandsläckare, medicinska förnödenheter och en nödtelefon nära till hands.

Underhållsschema

Underhåll	Varje dag	Varje månad
Rengör produktens utvändiga ytor med vatten. Se <i>Rengöra produkten på sida 321.</i>	X	
Utför en allmän inspektion. Se <i>Allmän inspektion på sida 322.</i>	X	
Kontrollera drivremmen. Justera vid behov drivremmens spänning. Se <i>Justera drivremmens spänning på sida 322.</i>	X	
Kontrollera maskinstoppknappen. Se <i>Kontrollera maskinstoppknappen på sida 309.</i>	X	
Kontrollera PÅ-knappen och AV-knappen. Se <i>Kontrollera PÅ-knappen och AV-knappen på sida 308.</i>	X	
Kontrollera vattenflödet. Kontrollera vattenfiltret om vattenflödet inte är tillräckligt. Rengör vattenfiltret om det behövs. Se <i>Rengöra vattenfiltret på sida 321.</i>	X	
Kontrollera klingskydden. Se <i>Kontrollera klingskyddet på sida 309.</i>	X	
Kontrollera kapskivan. Se <i>Kapskivor på sida 311.</i>	X	
Smörj bussningarna och spaken för inställning av kapdjup. Se <i>Smörja produkten på sida 322.</i>	X	
Smörj muttern vid drivremsplattan och axeln. Se <i>Smörja produkten på sida 322.</i>		X

Rengöra produkten



VARNING: Använd skyddsglasögon. När du rengör produkten kan smuts och skadligt material slungas ut från produkten.



OBSERVERA: Ett igensatt luftintag minskar produktens prestanda och kan göra att motorn blir för varm.

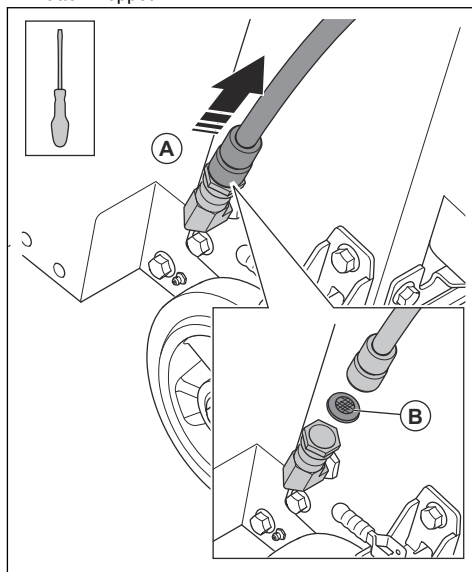
- Låt produkten svalna innan du rengör den.
- Rengör inte elektriska komponenter med vatten.
- Använd ett mildt rengöringsmedel. Ta på skyddshandskar för att undvika hudirritation.
- Rengör alltid hela utrustningen efter arbetsdagens slut. Använd inte en högtryckstvätt vid rengöring av produkten.
- Ta bort blockeringar från alla luftöppningar.

Rengöra vattenfiltret



OBSERVERA: Ett igensatt vattenfilter minskar vattenflödet till kapskivan och kan göra att kapskivan blir för varm.

1. Koppla bort den externa slangen (A) från vatteninloppet.



2. Ta bort vattenfiltret (B) med en spårskruvmejsel.
3. Kontrollera vattenfiltret. Rengör vattenfiltret om det behövs.

4. Sätt i vattenfiltret och anslut den externa slangen.

Allmän inspektion

- Se till att skruvar och muttrar på produkten är åtdragna.
- Se till att produktens kablar inte är i ett läge där de kan skadas.
- Inspektera om det finns några skador på de elektriska delarna. Använd inte en produkt som har skadade elektriska delar.
- Undersök om vattenslangarna läcker. Använd inte en produkt som har skadade vattenslangar.

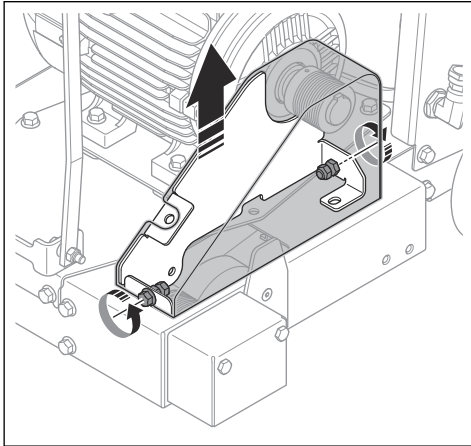
Justera drivremmens spänning



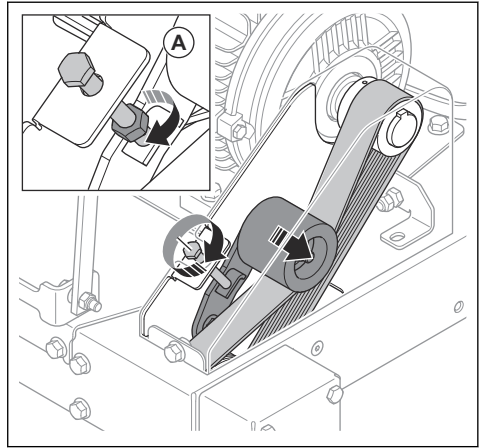
OBSERVERA: Se till att drivremmen inte är skadad.

En ny drivremms spänning måste justeras efter två timmar.

1. Lossa de två skruvarna och ta bort drivremskåpan.



2. Lossa låsmuttern (A).



3. Vrid spännskraven för att justera remskivans tryck mot drivremmen. Drivremmens spänning är korrekt när drivremmens frekvens är inom det intervall som anges i *Tekniska data på sida 325*.
4. Dra åt låsmuttern.
5. Montera drivremskåpan och dra åt de två skruvarna.

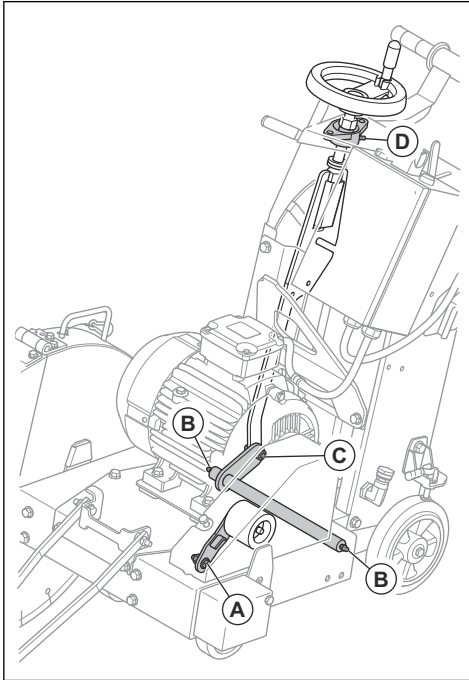
Smörja produkten

Notera: Spaken för kapdjupsratten måste alltid vara låst när ratten för kapdjup inte används.

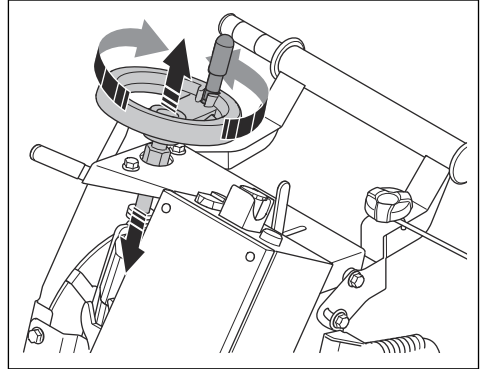
Smörj detaljerna som följer. Smörj tills fettet kan ses vid kanterna. För rätt fett, se *Tekniska data på sida 325*.

1. Anslut fettsprutan till smörjnippeln.
2. Smörj bussningen (A) vid drivremsplattan med en borste.

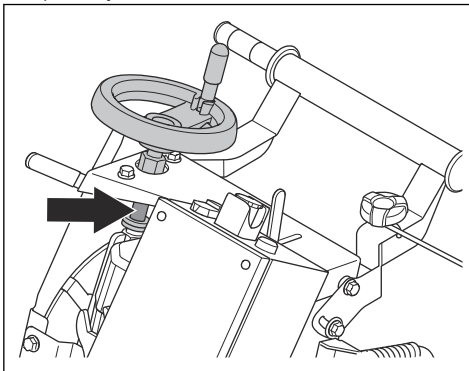
3. Smörj bussningarna (B) på vänster och höger sida av produkten. Använd en fettspruta.



- b) Vrid ratten för kapdjup medurs och moturs om och om igen och smörj lika mycket. Tryck på spaken för att låsa ratten för kapdjup.



4. Smörj axeln (C) med en borste.
5. Smörj smörjställena på spaken för kapdjupsinställning (D). Använd en fettspruta.
a) Smörj axeln nedanför muttern.



Felsökning

Produkten startar inte

- Se till att strömförsörjningen och strömladdan inte är skadade.

- Inspektera maskinstoppknappen genom att vrida knappen medurs för att lossa maskinstoppknappen.
- Undersök felindikatorn. Se *Felindikator på sida 324*.

Produkten stannar plötsligt

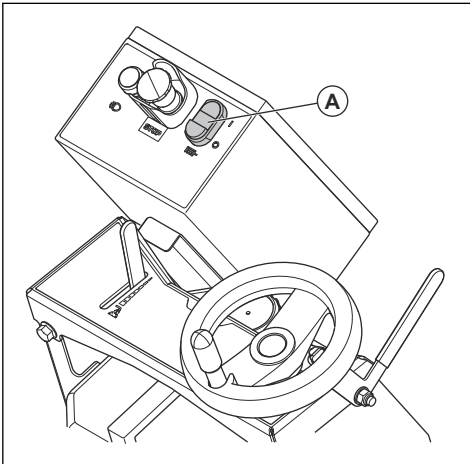
- Om arbetsbelastningen är för hög för produkten aktiveras motorskyddet och stannar motorn. Se *Felindikator på sida 324*.

Produkten stannar under start

Korrekt spänningsmatning behövs för bra motorprestanda. För långa eller för korta förlängningsladdningar minskar motorens effekt under drift.

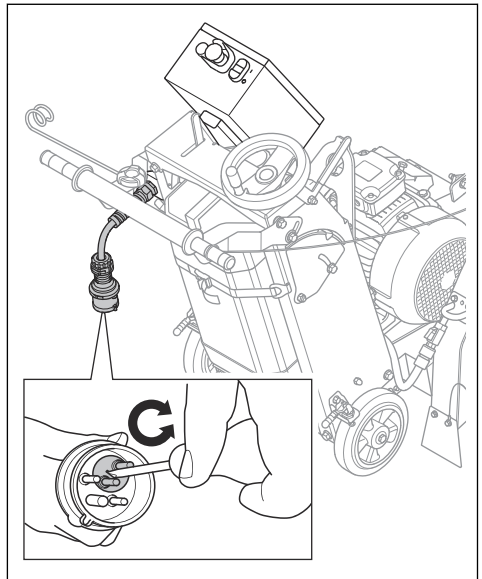
- Om arbetsbelastningen är för hög för produkten löses motorskyddet ut och stannar motorn. Se *Felindikator på sida 324*.
- Se till att förlängningsladdarna inte är för långa eller för korta. Försök starta produkten igen.
- Se till att kapskivan kan röra sig fritt.
- Om produkten fortsätter att stanna under start ska du tala med en godkänd serviceverkstad.

Felindikator



Felindikatorn (A) tänds i följande situationer:

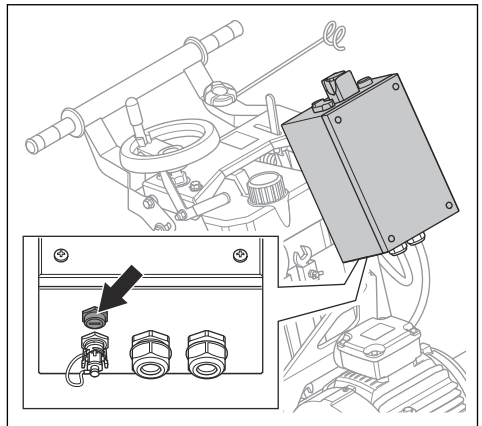
- Motorn har överbelastats. Motorn stannar.
- Det finns ett fasfel. Det är nödvändigt att justera strömkontakten.



Låt motorskyddet svalna och felindikatorn slockna innan du startar motorn igen. Du måste vänta i cirka 60 sekunder.

Arbetsbelysningen tänds inte

- Undersök arbetsbelysningens säkring. Om säkringen är trasig ska du byta ut den mot en korrekt säkring. Se *Tekniska data på sida 325*.



Transport, förvaring och kassering

Transport

- Ta bort kapskivan före transporten.

- Denna produkt är tung. Var försiktig när du lyfter produkten, det finns risk för skador. Se *Lyfta produkten på sida 325*.
- Följ särskilda krav för kommersiella transporter.

- Säkra produkten under transport. Se till att den inte kan förflytta sig.

Lyfta produkten



VARNING: Se till att lyftutrustningen har korrekta mått. Typskylten på produkten visar produktens vikt.



VARNING: Se till att lyftöglan inte är skadad.



VARNING: Gå inte och stå inte under eller nära en lyft produkt.

- Använd rätt lyftutrustning för att lyfta produkten. Lyft inte produkten för hand.
- Använd lyftöglan som är fäst på produkten när du lyfter den.
- Använd stövlar med stålhätta och halkfri sula.

Förvaring av produkten

- Förvara produkten i ett låst utrymme för att förhindra åtkomst för barn eller personer som inte är behöriga.

- Förvara alltid produkten inomhus.
- Förvara produkten på en torr och frostfri plats.
- Ta bort kapskivan från produkten efter arbetet. Kapskivan måste vara torr när den läggs i förvaring.
- Ha produkten på en plan, jämn yta.

Avfallshantering

Symbolen på produkten eller dess förpackning indikerar att denna produkt inte får hanteras som hushållsavfall. Istället ska den överlämnas till lämplig återvinningsstation för återvinning av elektrisk och elektronisk utrustning.

Genom att se till att denna produkt omhändertas ordentligt kan du hjälpa till att motverka potentiella negativa konsekvenser på miljö och människor, vilka annars kan orsakas genom oriktig avfallshantering av denna produkt. För mer detaljerad information om återvinning av denna produkt, kontakta din kommun, din hushållsavfallsservice eller affären där du köpte produkten.

Tekniska data

Tekniska data

Motoreffekt, kW	7,5
Märkspänning, VAC vid frekvens, Hz	3~400 vid 50 (CE) 3~415 vid 50 (AUS)
Märkström, A	15
Nätkontakt	CEE, 3~, 16 A (CE) 56P420, 20 A, 500 V (AUS)
Max. klingdiameter, mm	600
Max. kapdjup, mm	240
Max. spindelrotationshastighet (vid nominellt motorvarv på 2 925 varv/min), varv/min	1 765
Spindeldiameter, mm	25,4
Klingflänsens diameter, mm	116
Max. vattentryck, bar	6
Nominell vikt (uppackad), kg	178

Maximal arbetsvikt utan vattentank, kg	183
Maximal arbetsvikt med full vattentank, kg	214
Fett	DIN 51825 fettklass K2K-30 eller K3K-30
Rätt remspänning, Hz	88–93
Uttag för arbetsbelysning, VDC	24
Säkring för arbetsbelysning, A	4 (5 x 20 mm)
Klingskruvens åtdragningsmoment, Nm/ft lbs	100/74

Ljudnivåer

Emission av buller och vibrationer	
Ljudeffektnivå L_{WA} (uppmätt), dB(A)	105
Ljudeffektnivå L_{WA} (garanterad), dB(A) ³¹	107
Ljudtrycksnivå vid användarens öra, dB(A) ³²	83
Vibrationsnivåer a_{HV} , m/s^2 , höger handtag/vänster handtag ³³	2,6/3,1

Angivna buller- och vibrationsnivåer

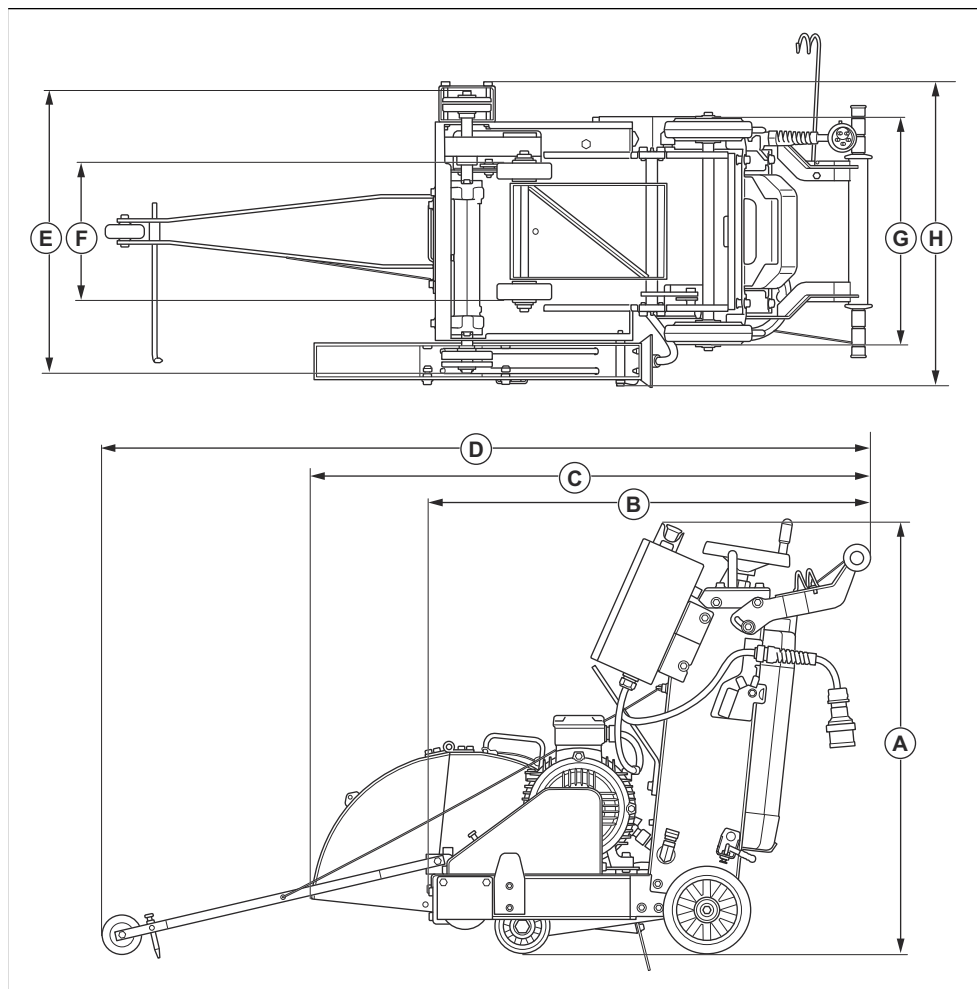
De här deklarerade värdena erhöles genom tester av laboratorietyp i enlighet med angivna direktiv och standarder och lämpar sig för jämförelse med angivna värden för andra produkter som testats i enlighet med samma direktiv och standarder. De angivna värdena lämpar sig inte för användning i riskbedömningar och uppmätta värden på enskilda arbetsplatser kan vara högre. De verkliga exponeringsvärdena och risken för skada som en enskild användare kan uppleva är unika och beror på hur användaren arbetar, i vilket material produkten används, exponeringstid och användarens fysiska tillstånd samt produktens skick.

³¹ Emission av buller till omgivningen uppmätt som ljudeffekt (L_{WA}) enligt EG-direktiv 2000/14/EG. Skillnaden mellan garanterad och uppmätt ljudeffekt är att den garanterade ljudeffekten även inkluderar spridning i mätresultat och variation mellan exemplar av samma modell enligt Direktiv 2000/14/EG.

³² Ljudtrycksnivå enligt EN 13862. Redovisade data för ljudtrycksnivå har ett typiskt spridningsmått (standardavvikelse) på 2,5 dB(A).

³³ Vibrationsnivå enligt EN 13862. Rapporterade data för vibrationsnivå har en typisk statistisk spridning (standardavvikelse) på 1 m/s^2

Produktens mått



A	Höjd, mm	985	E	Min. bredd (klingskydd inte monterat), mm	645
B	Min. längd (pekare upp och klingskydd eller kapskiva inte monterade), mm	1 010	F	Framhjulsbredd, mm	320
C	Längd (pekare upp och klingskydd inte monterat), mm	1 275	G	Bakhjulsbredd, mm	520

D	Max. längd (pekare ned), mm	1750	H	Max. bredd (klingskydd monterat), mm	700
----------	-----------------------------	------	----------	--------------------------------------	-----

Tillbehör

Godkända Husqvarna-tillbehör

- Belysningskit.
- Vattentank.

Försäkran om överensstämmelse

EU-försäkran om överensstämmelse

Vi, Husqvarna AB, SE 561 82 Huskvarna, Sverige,
tfn. 036-146500, försäkrar härmed på eget ansvar att
produkten:

Beskrivning	Golvkapmaskin
Varumärke	HUSQVARNA
Typ/Modell	FS 600 E
Identifiering	Serienummer daterade 2021 och framåt

uppfyller alla krav i följande EU-direktiv och förordningar:

Direktiv/förordning	Beskrivning
2006/42/EC	"om maskiner"
2014/30/EU	"angående elektromagnetisk kompatibilitet"
2000/14/EC	"angående buller utomhus"
2011/65/EU	"om begränsning av vissa farliga ämnen"

och att följande standarder och/eller tekniska
specifikationer tillämpas:

EN ISO 12100:2010

EN 13862:2001+A1:2009

EN 55014-1:2021

EN 61000-6-2:2019

EN 61000-3-2:2019+A1:2021

EN 61000-3-3:2013+A1:2019

EN IEC 63000:2018

Procedur för bedömning av överensstämmelse enligt
2000/14/EG: bilaga V.

För information om emission av buller, se *Tekniska data*
på sida 325.

Partille, 2021-12-08

Erik Silfverberg

R&D Director, Concrete Sawing & Drilling Equipment

Husqvarna AB, Construction Division

Ansvarig för teknisk dokumentation





www.husqvarnacp.com

Original instructions
Originale instruktioner
Originalanweisungen
Instrucciones originales
Alkuperäiset ohjeet
Instructions d'origine

Istruzioni originali
Originale instructies
Originale instruksjoner
Instruções originais
Bruksanvisning i original

1142616-20



2022-03-09